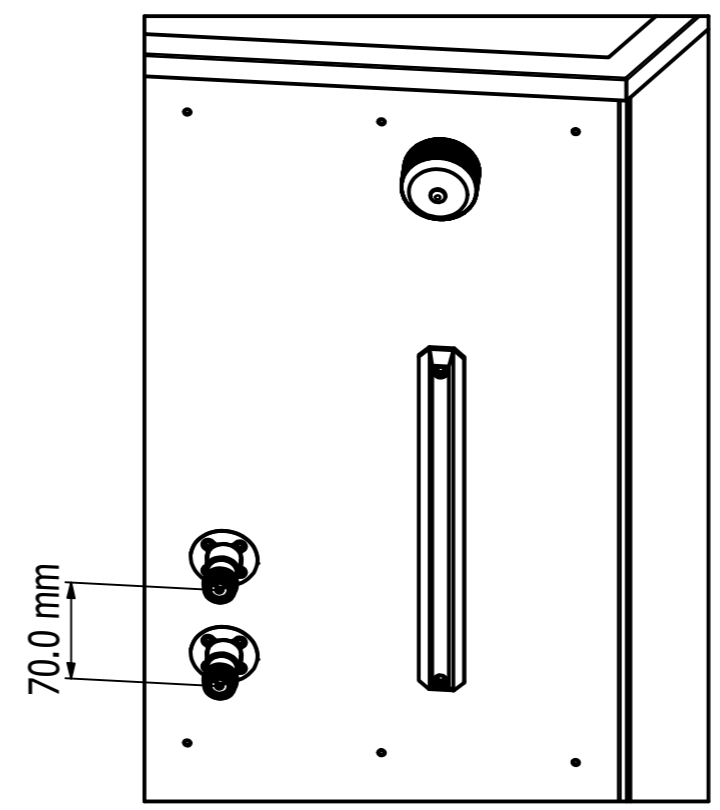
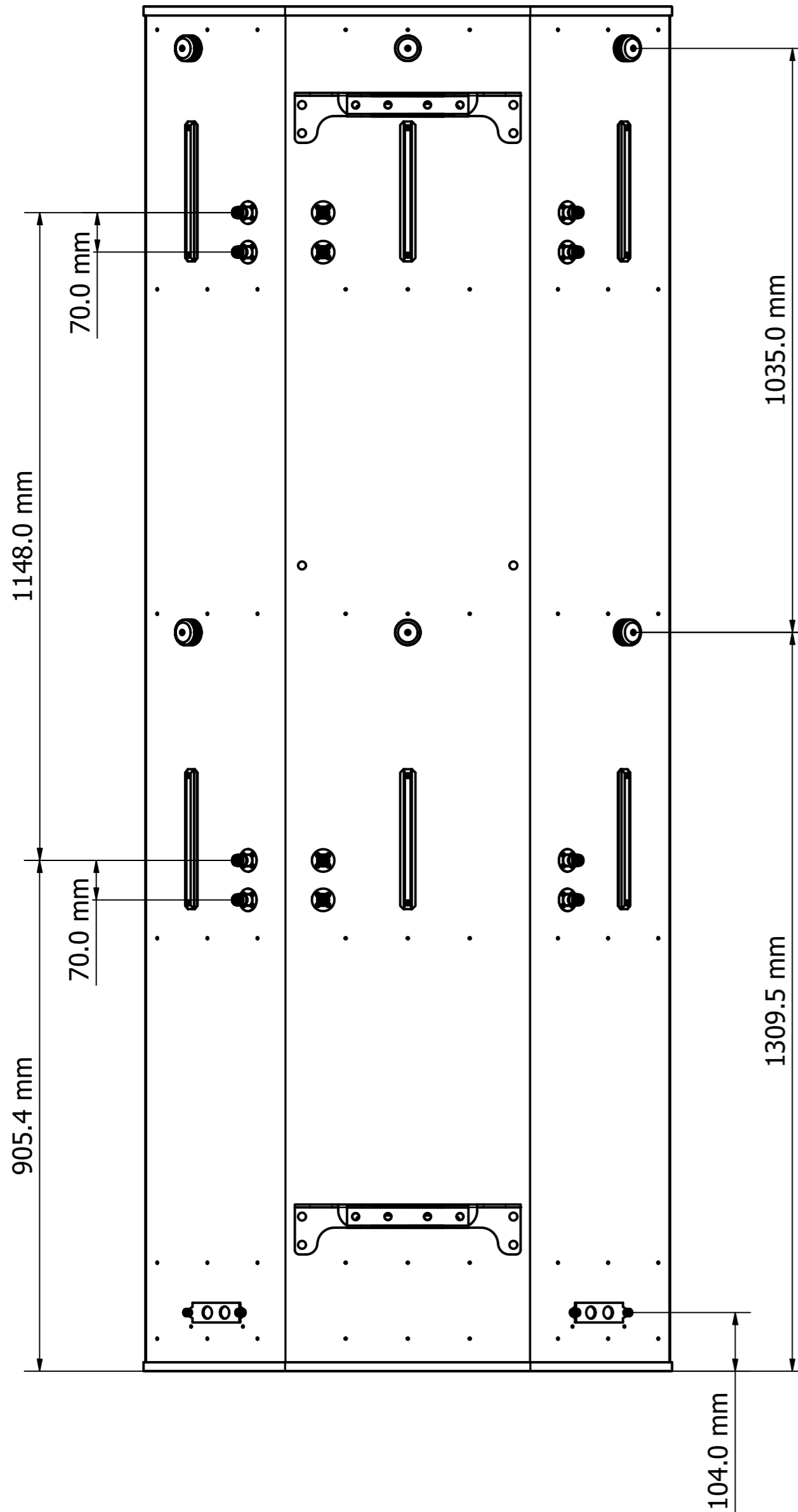
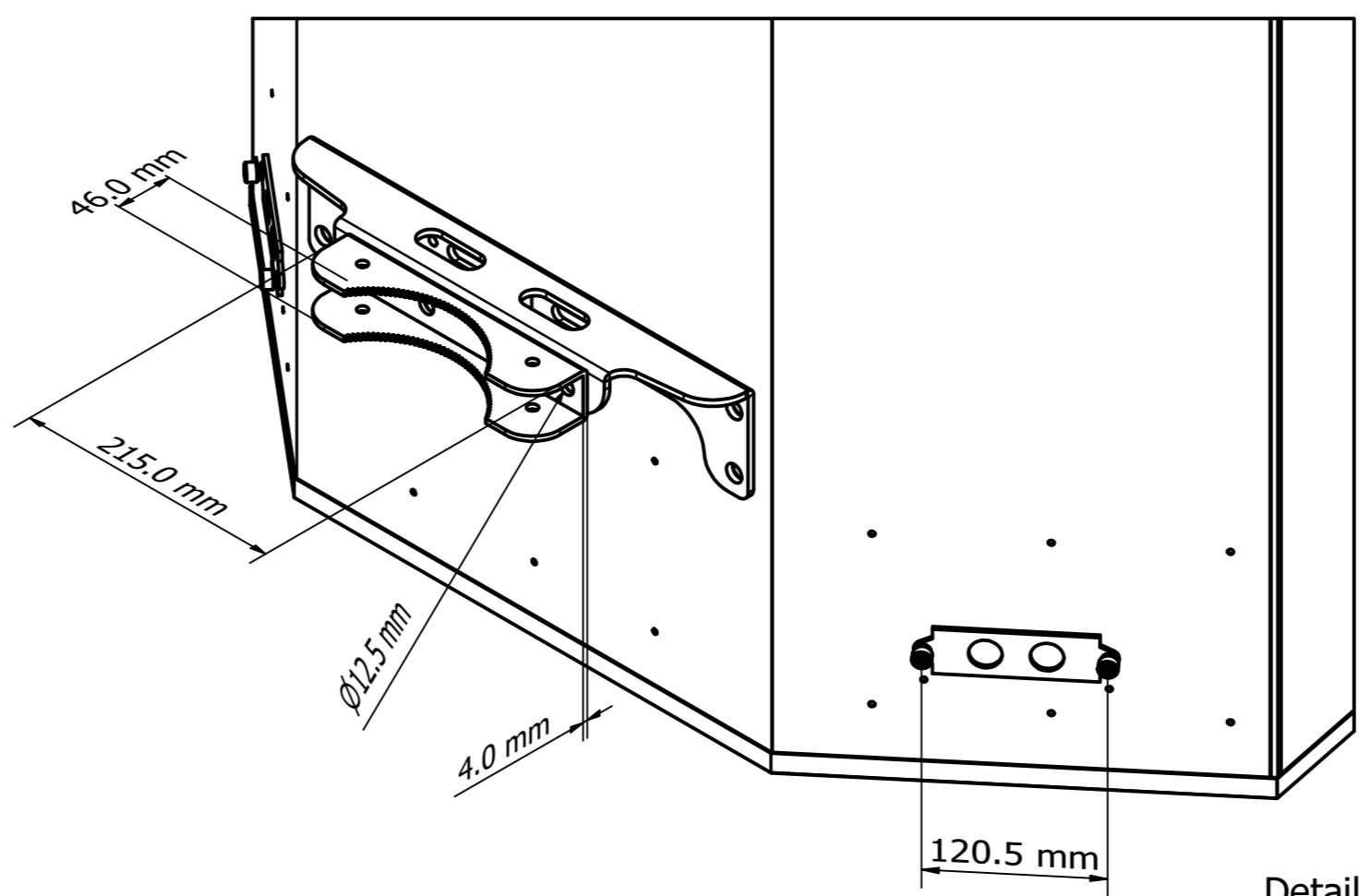


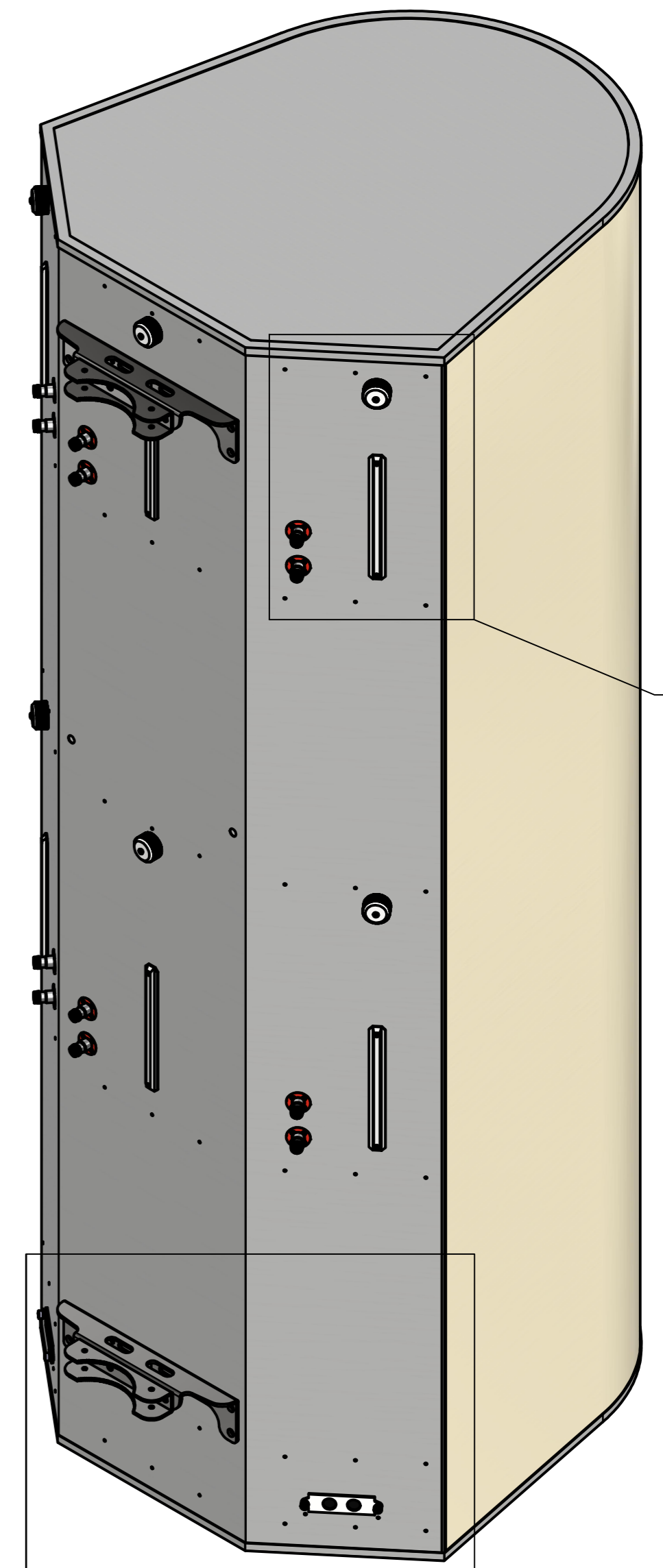
Designed by	Drawing by	Date	Approved by	Date	Quantity	Material
ALEXANDRE	LAWRENCE	19/9/2023	PAVEL	14/11/2023		
MATSING						MS-MBA-3-T4A2
LENS TECHNOLOGY ENABLED						MS-MBA-3-T4A2 (mm)
					Revision 1.0	Sheet 1 / 3



Detail C



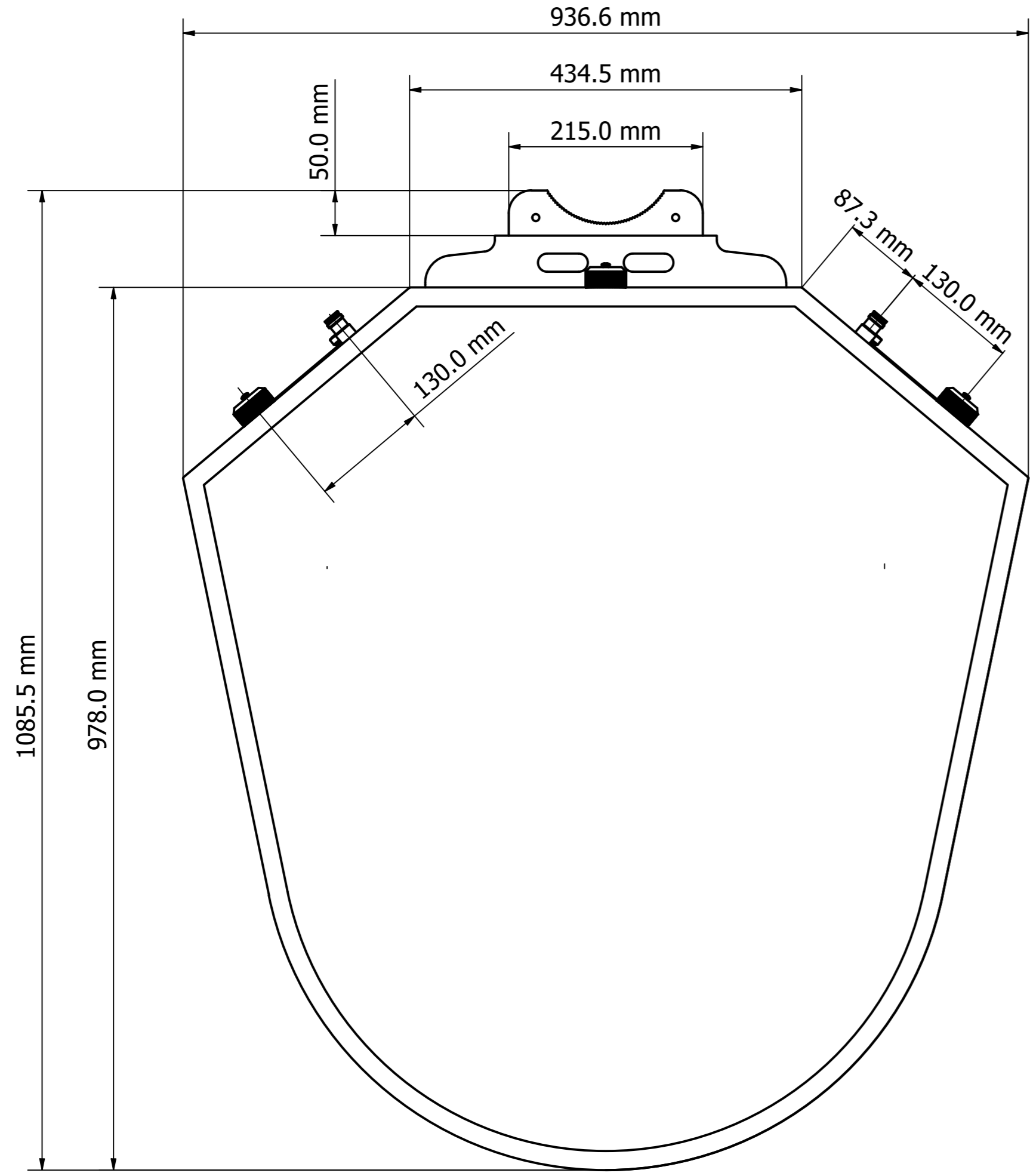
Detail B



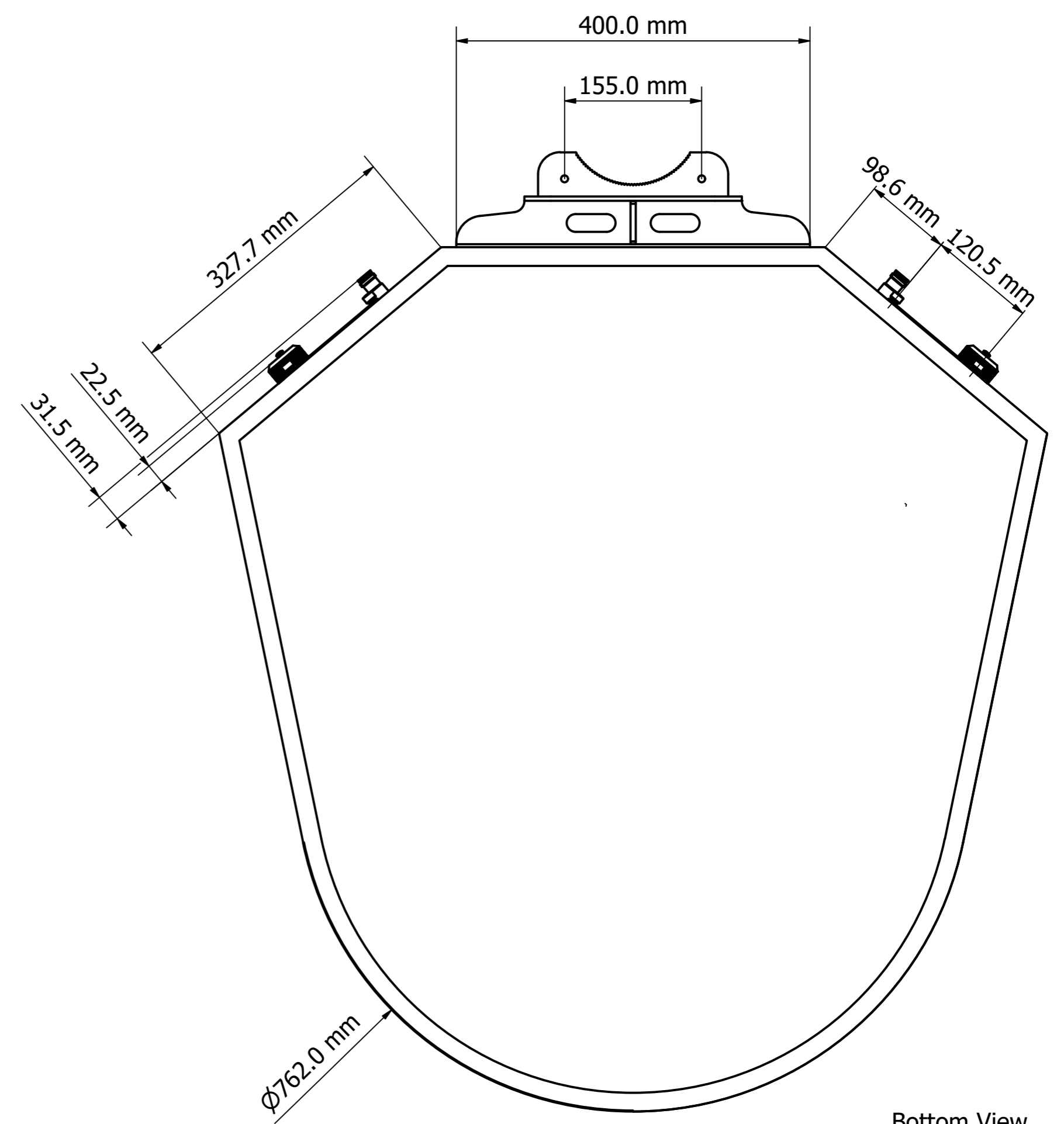
Detail B

Detail C

Designed by ALEXANDRE	Drawing by LAWRENCE	Date 19/9/2023	Approved by PAVEL	Date 14/11/2023	Quantity	Material	
MATSING LENS TECHNOLOGY ENABLED						MS-MBA-3-T4A2	
MS-MBA-3-T4A2 (mm)						Revision 1.0	Sheet 2 / 3



Top View



Bottom View

Designed by ALEXANDRE	Drawing by LAWRENCE	Date 19/9/2023	Approved by PAVEL	Date 14/11/2023	Quantity	Material
MATSING LENS TECHNOLOGY ENABLED						MS-MBA-3-T4A2
MS-MBA-3-T4A2 (mm)					Revision 1.0	Sheet 3 / 3