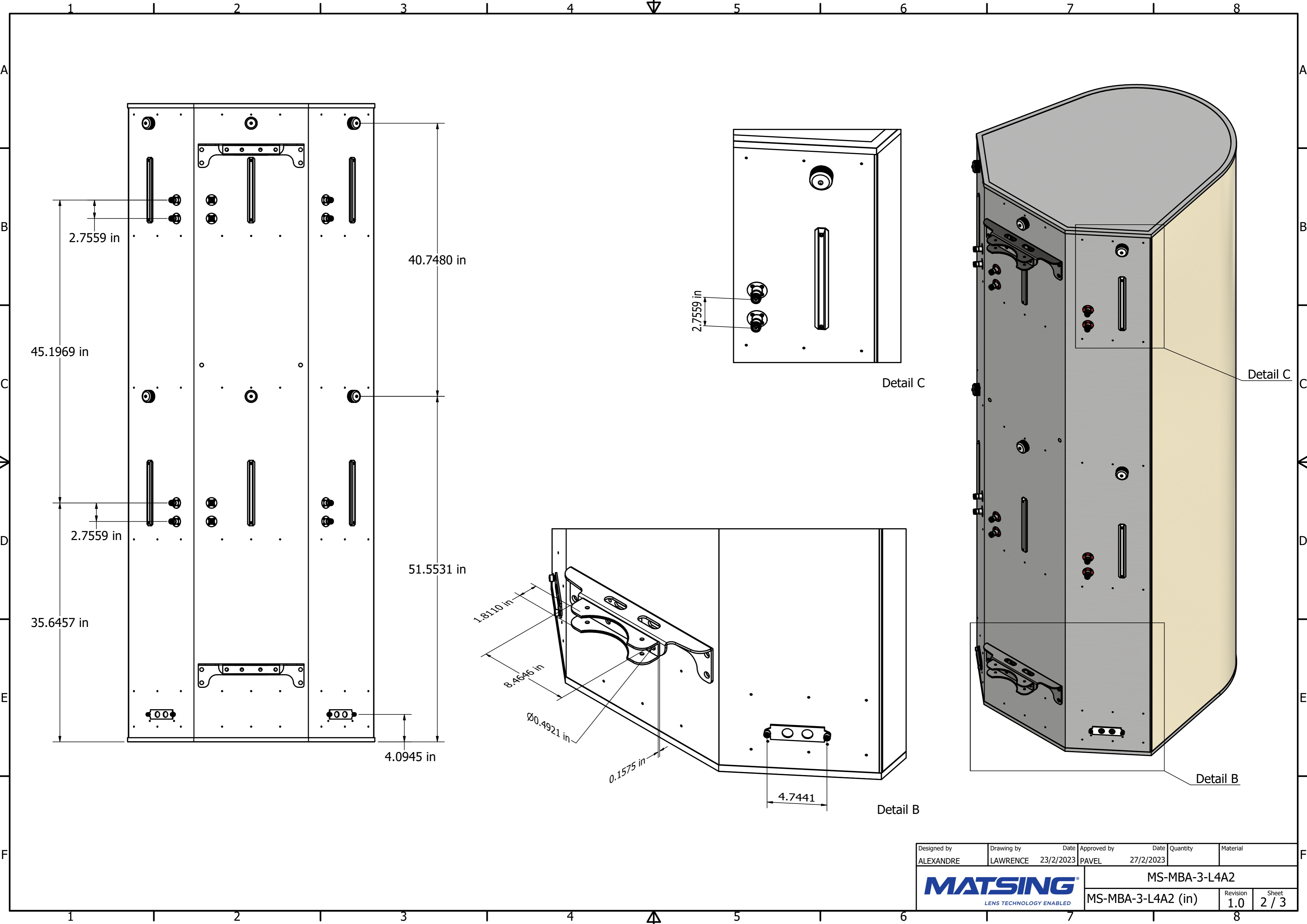
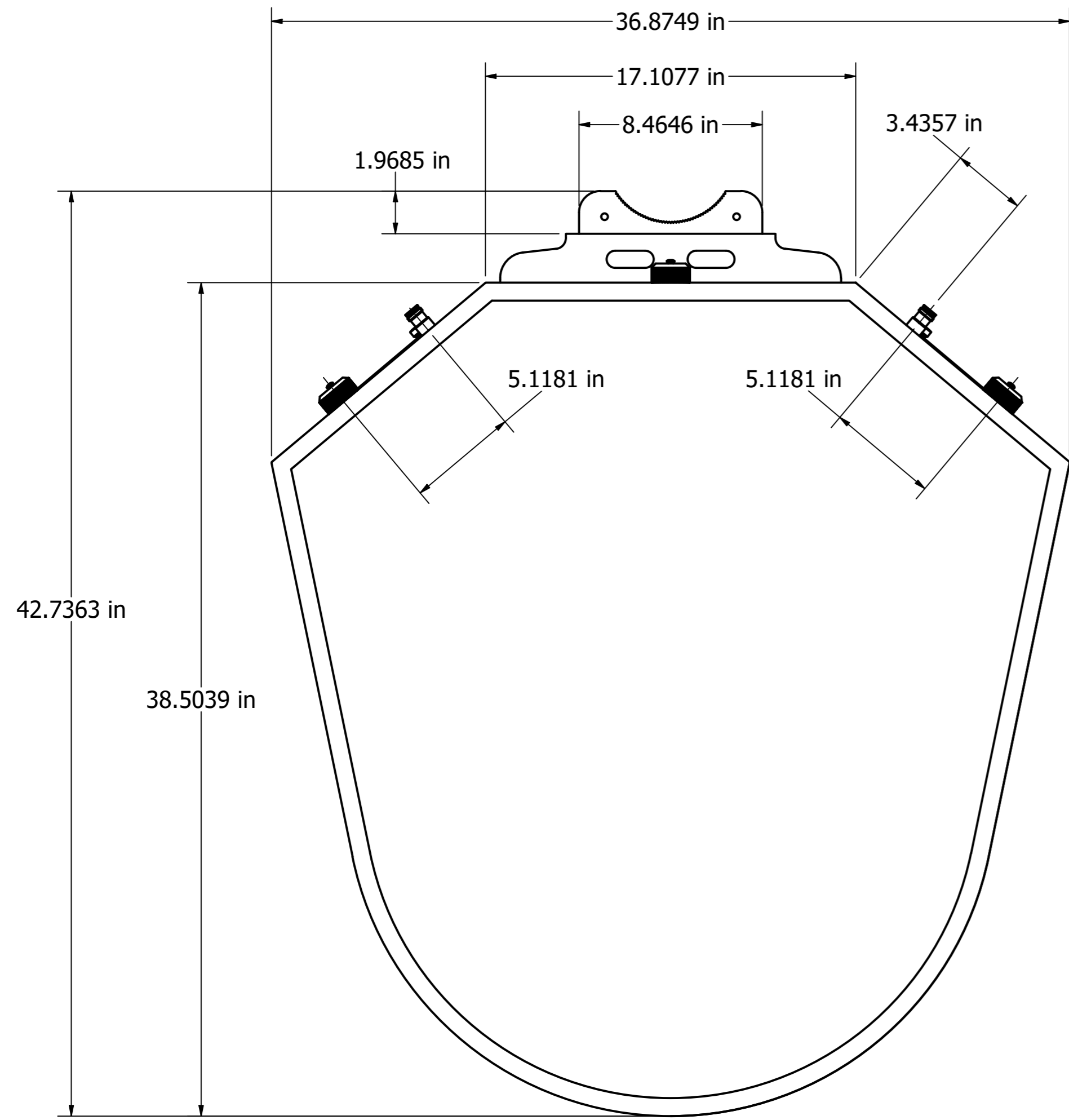


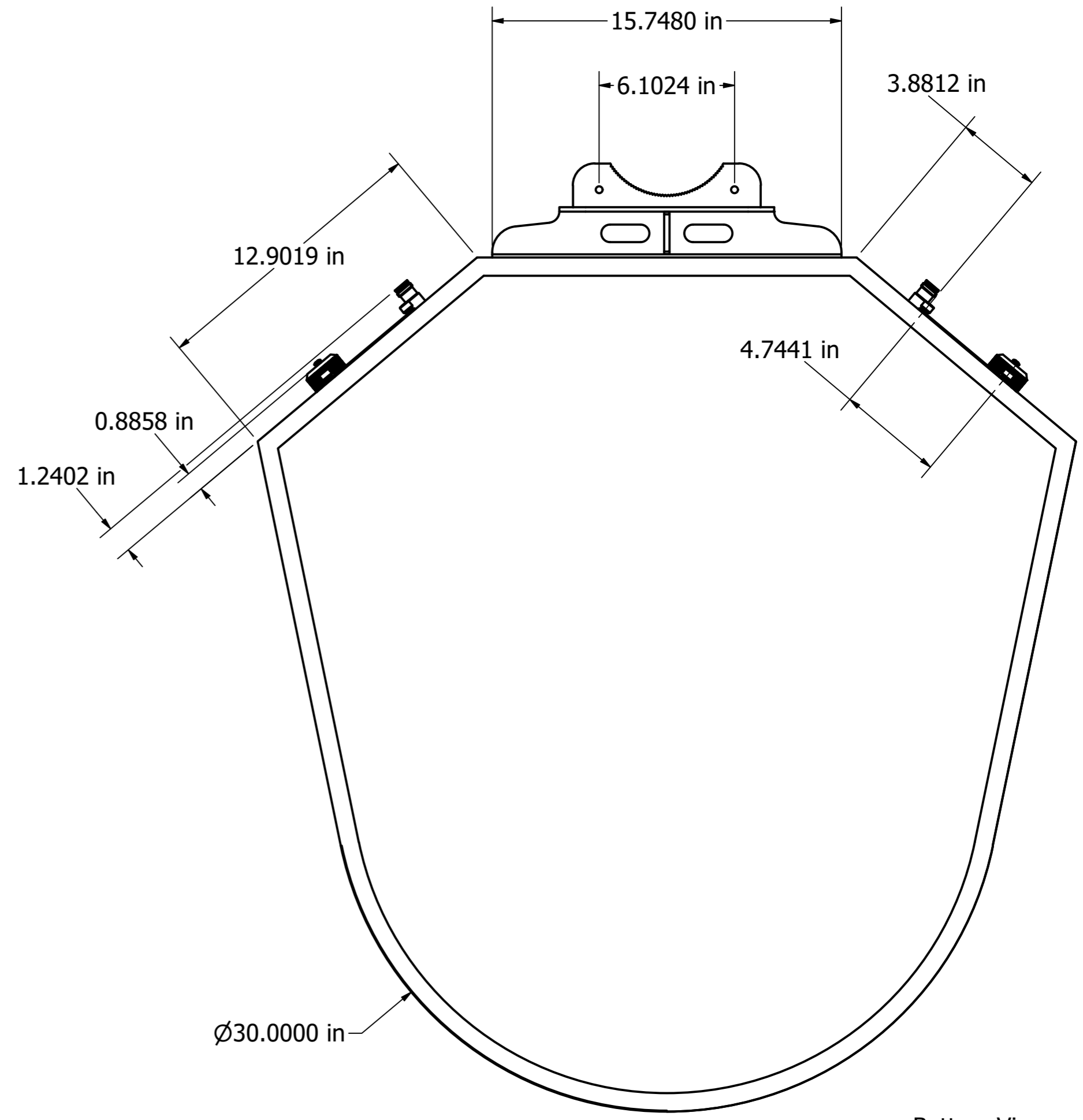
Designed by	Drawing by	Date	Approved by	Date	Quantity	Material	
ALEXANDRE	LAWRENCE	23/2/2023	PAVEL	27/2/2023			
MATSING LENS TECHNOLOGY ENABLED							
MS-MBA-3-L4A2						Revision	Sheet
MS-MBA-3-L4A2 (in)						1.0	1 / 3



Designed by ALEXANDRE	Drawing by LAWRENCE	Date 23/2/2023	Approved by PAVEL	Date 27/2/2023	Quantity	Material
MATSING LENS TECHNOLOGY ENABLED						MS-MBA-3-L4A2
MS-MBA-3-L4A2 (in)					Revision 1.0	Sheet 2 / 3



Top View



Bottom View

Designed by	Drawing by	Date	Approved by	Date	Quantity	Material	
ALEXANDRE	LAWRENCE	23/2/2023	PAVEL	27/2/2023			
MATSING LENS TECHNOLOGY ENABLED							
MS-MBA-3-L4A2						Revision	Sheet
MS-MBA-3-L4A2 (in)						1.0	3 / 3