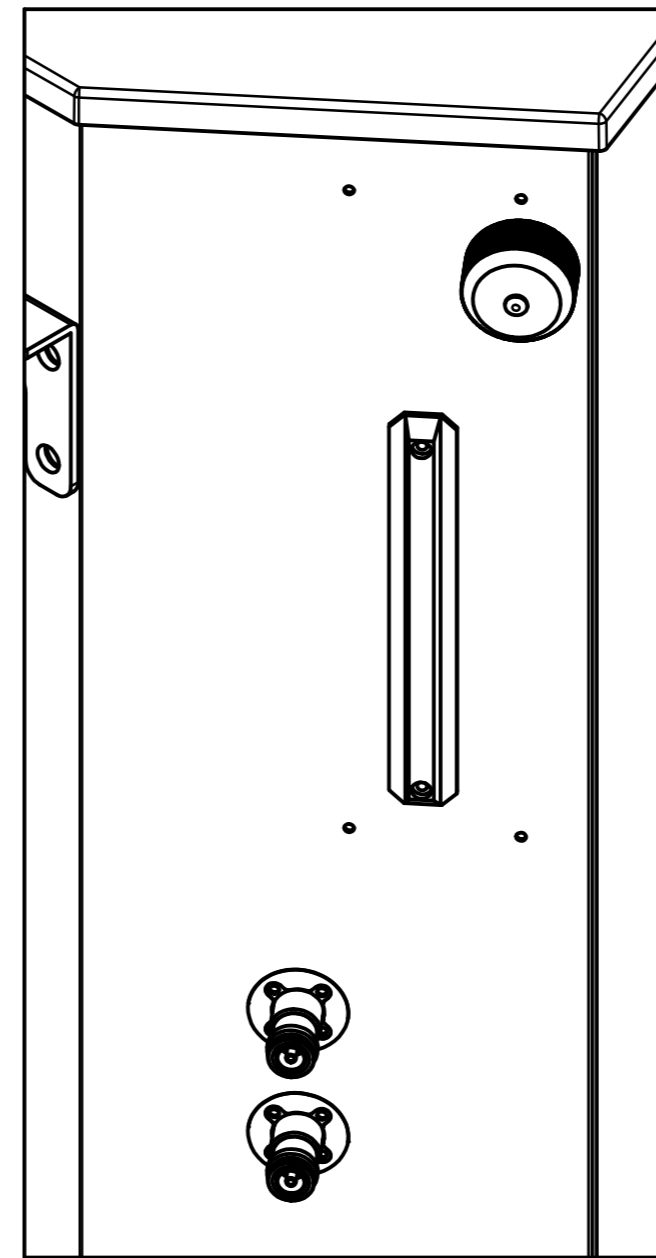
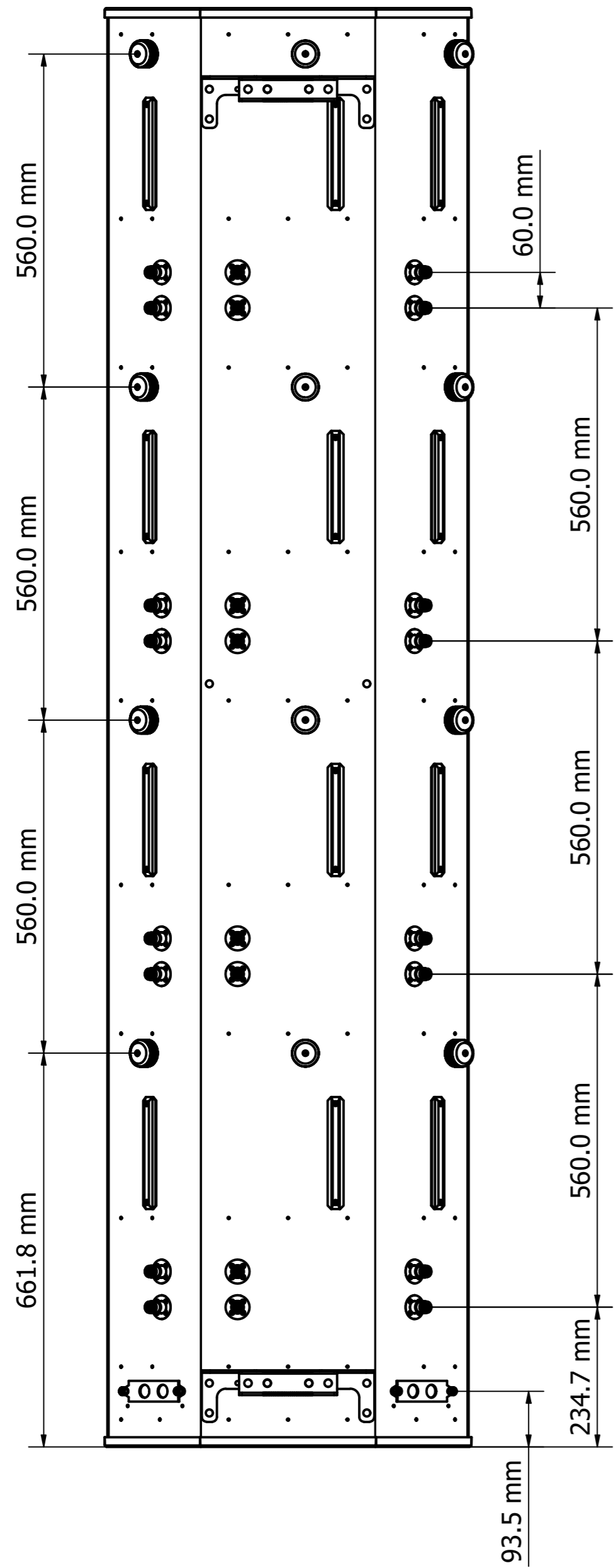
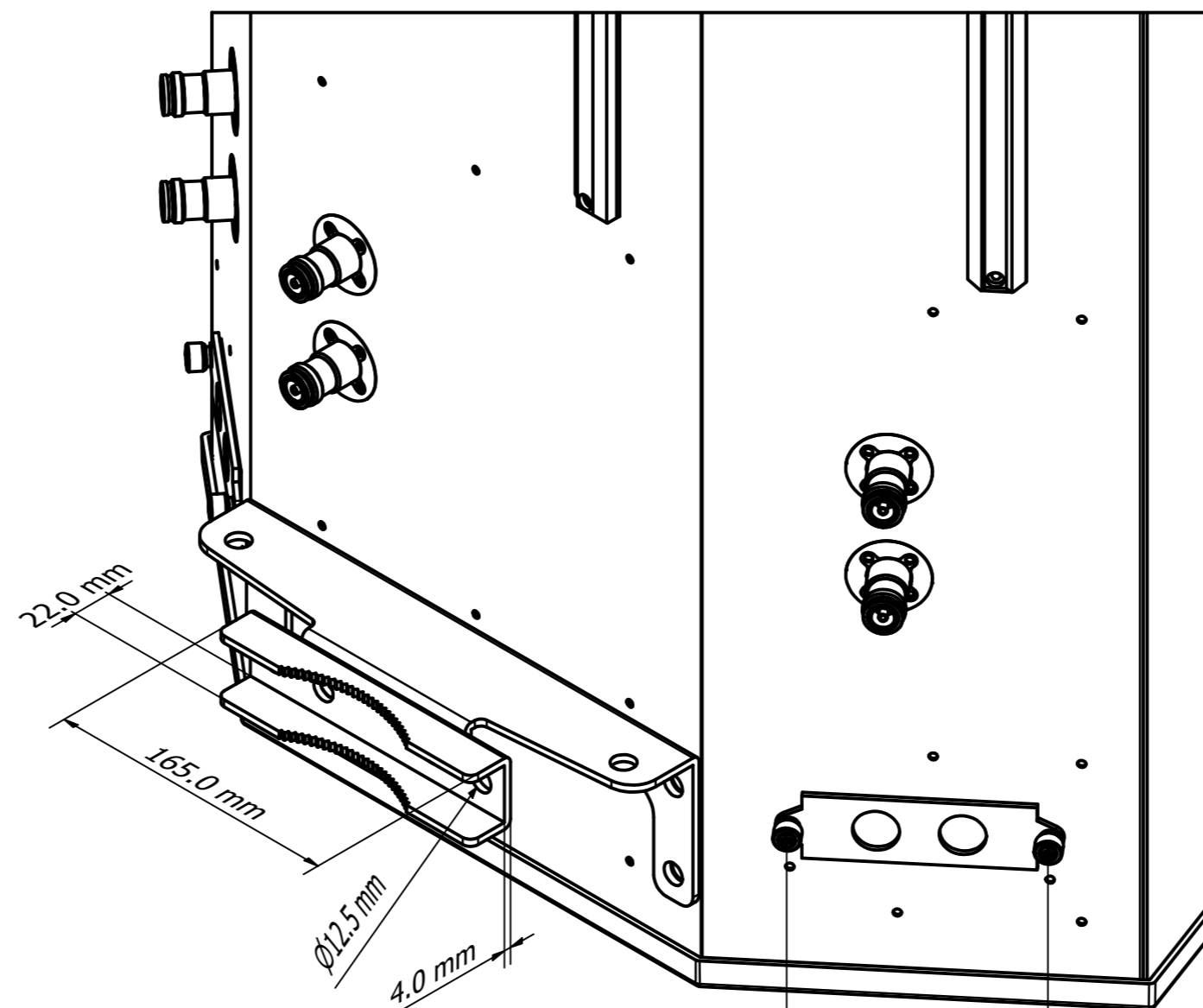


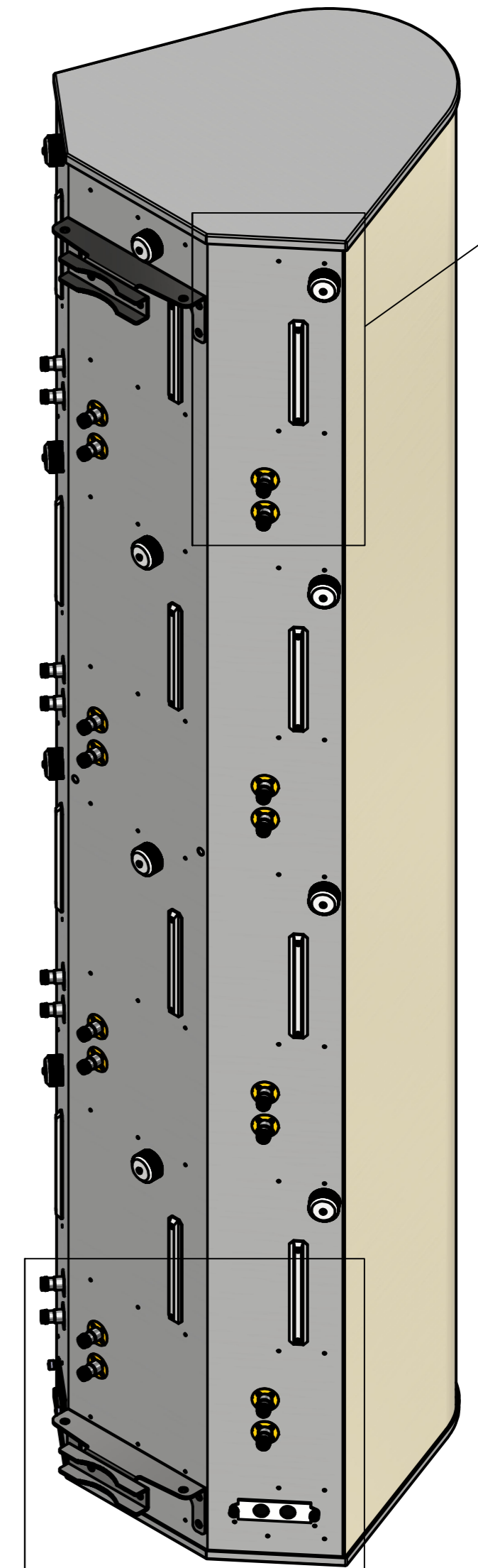
Designed by VIGNESH	Drawing by LAWRENCE	Date 21/4/2023	Approved by PAVEL	Date 2/5/2023	Quantity	Material	
MATSING LENS TECHNOLOGY ENABLED						MS-MBA-3-H8A2	
MS-MBA-3-H8A2 (mm)						Revision 1.0	Sheet 1 / 3



Detail C



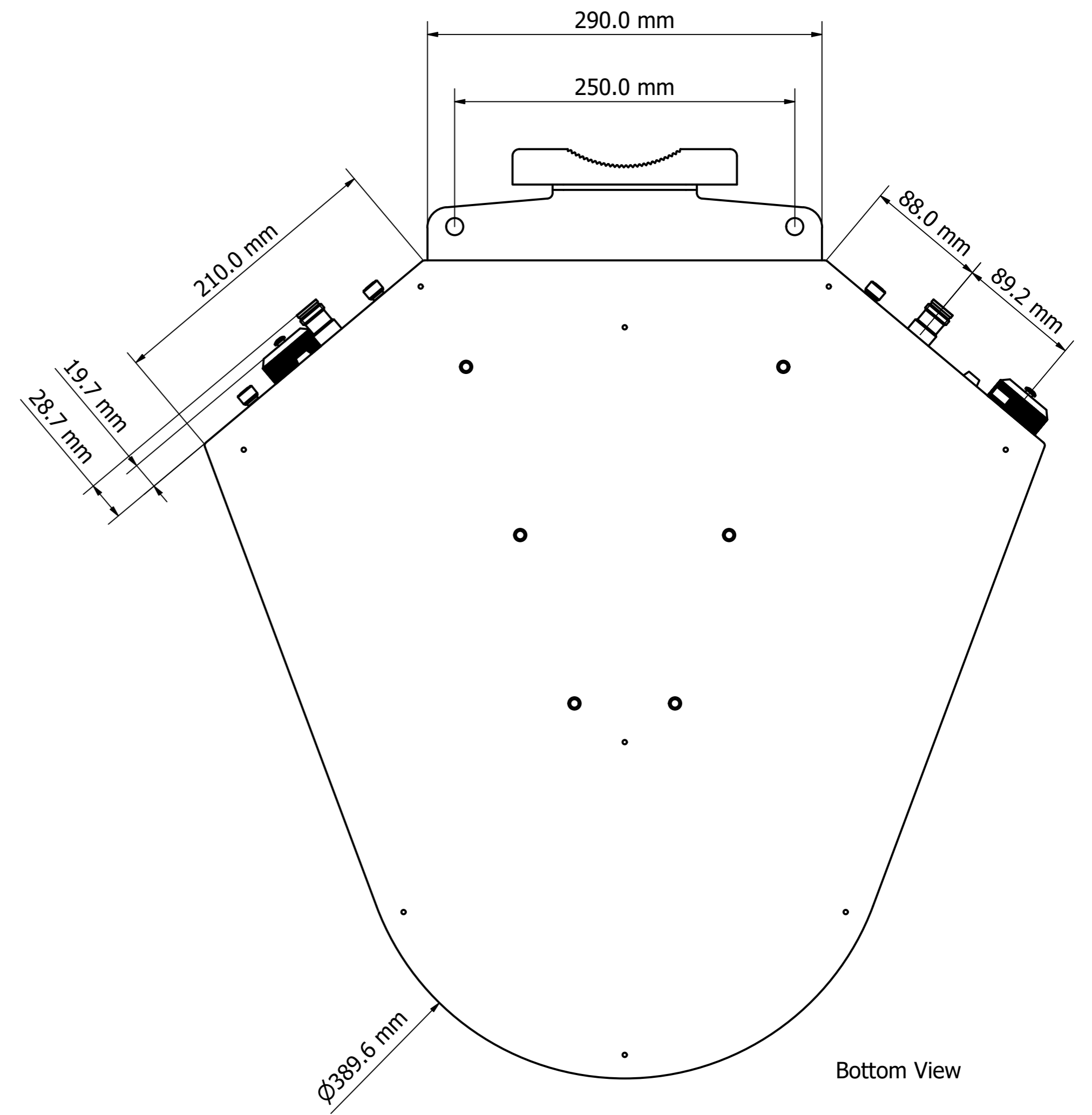
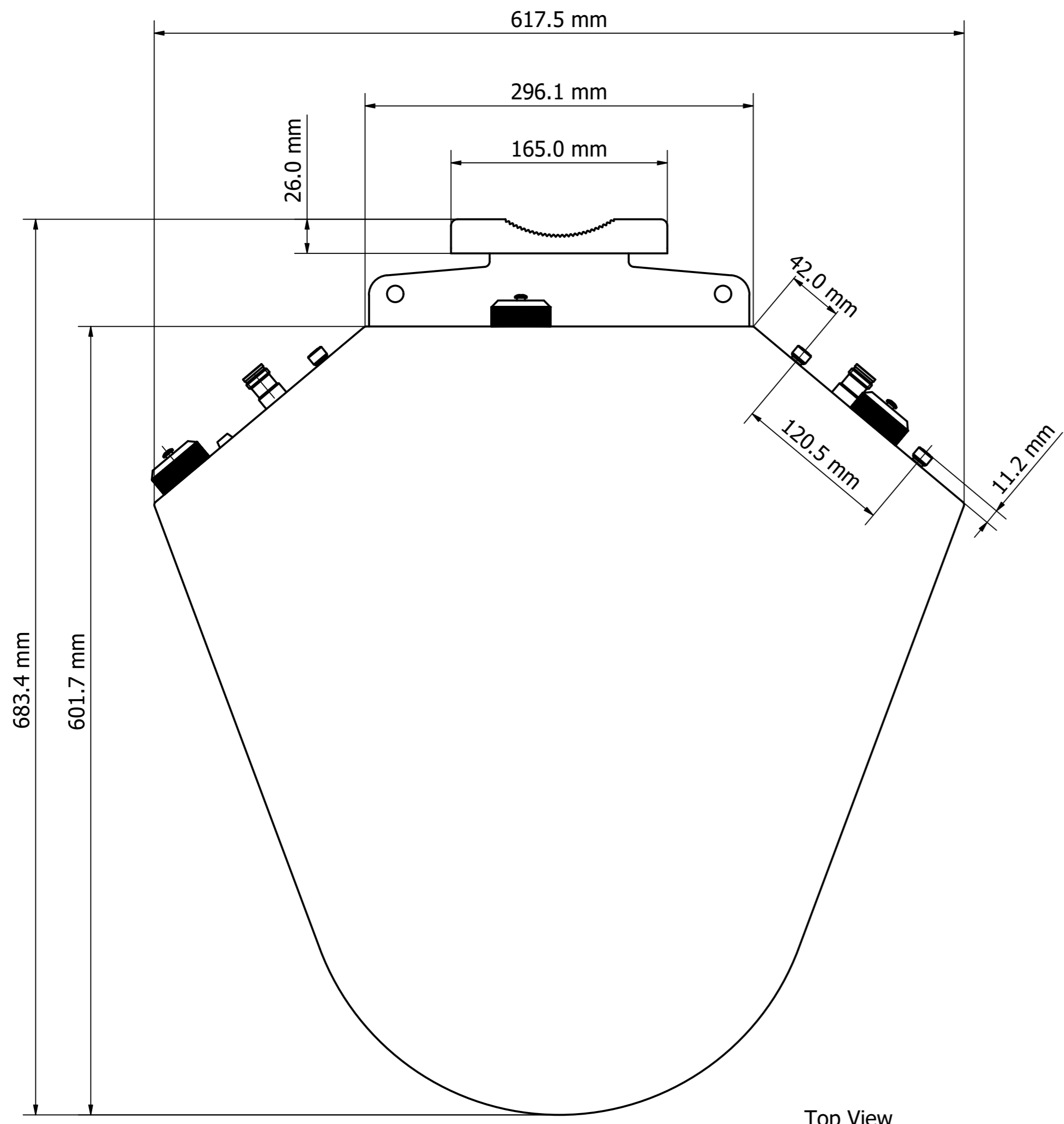
Detail B



Detail B

Detail C

Designed by VIGNESH	Drawing by LAWRENCE	Date 21/4/2023	Approved by PAVEL	Date 2/5/2023	Quantity	Material	
MATSING LENS TECHNOLOGY ENABLED						MS-MBA-3-H8A2	
MS-MBA-3-H8A2 (mm)						Revision 1.0	Sheet 2 / 3



Designed by VIGNESH	Drawing by LAWRENCE	Date 21/4/2023	Approved by PAVEL	Date 2/5/2023	Quantity	Material
						MS-MBA-3-H8A2
						MS-MBA-3-H8A2 (mm)