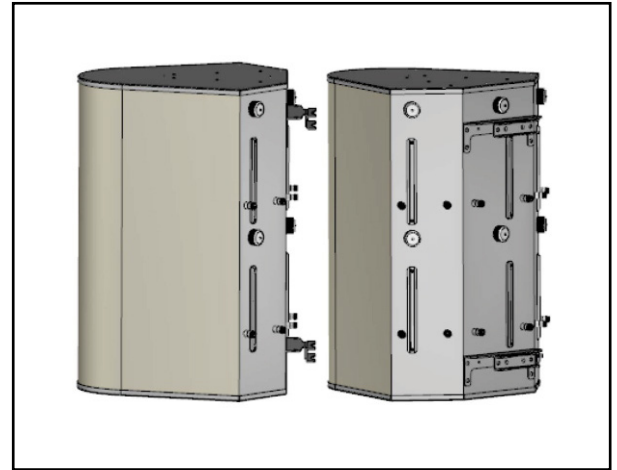


MS-MBA-3-H4

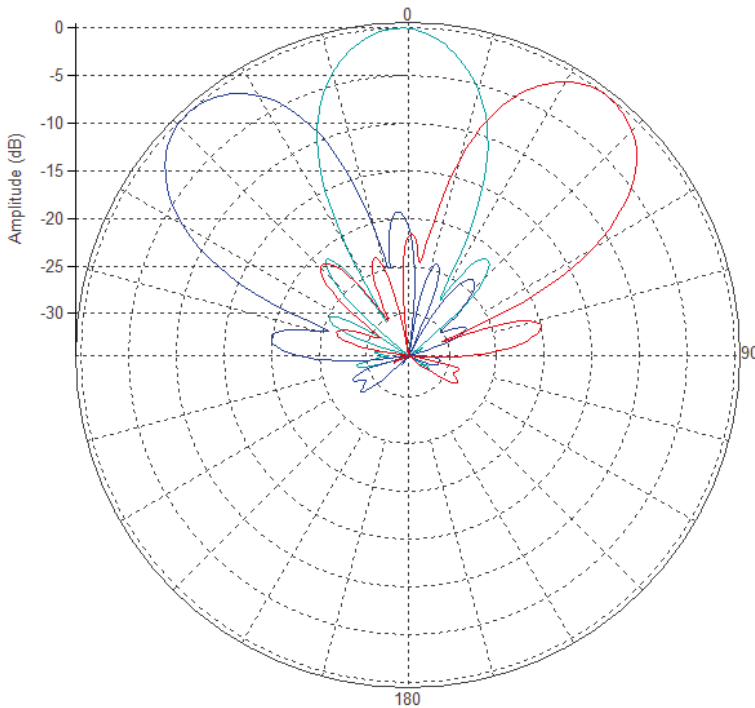
Multi-beam Base-Station Antenna (MBA)

Lens Technology Enabled™ Multi-Beam Base-Station Antenna perfect for 6 to 9 sector LTE cell site deployments, utilizes a patented spherical lens design with 3 isolated high-frequency (1695 - 2690MHz) cross-polarized beams. Each beam has 4 ports, for two independent antennas, or 4X4 MIMO. There are two independent tilt settings per beam (0-30° tilt for each pair of cross-polarized elements).

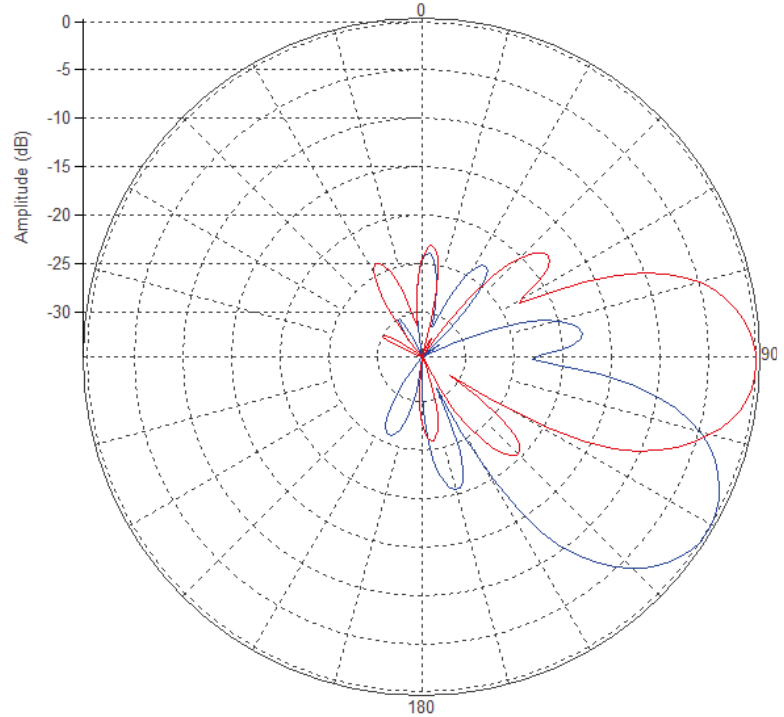


PATTERN RESULTS:

High-Band Horizontal Pattern (1.80GHz)



Vertical pattern at 0° tilt and 30° tilt (1.80GHz)



TECHNICAL SPECIFICATIONS

Frequency	1695-2690 MHz
Gain	17.8dBi
VSWR	<1.5:1
Polarization	Dual Slant ±45°
Horizontal Coverage	120°
Horizontal Beamwidth (10dB level)	40°
Horizontal Beamwidth (3dB level)	23°
Vertical Beamwidth (10dB level)	40°
Vertical Beamwidth (3dB level)	23°
Beam Cross-over	10dB typical
Total Number of Beams	3
Number of Ports per Beam	4
Number of Ports Total	12
Tilt Per Cross-Pol (Four adjustments per beam) Remote Electrical Tilt (AISG 2.0)	0° to 30°
First Sidelobe level	<-16dB
Front to Back Ratio	>28dB
Isolation Port to Port - Polarization	>28dB
Isolation Port to Port - Beam	>26dB
Power Rating	200W per port
Intermodulation	<-153dBc
Impedance	50 ohm
Connector Quantity and Type	12 4.3-10 female

MECHANICAL DATA

Dimensions (H x W x D)	90 x 62 x 60 cm 35.5 x 24.5 x 24 inch
Antenna Weight	32kg 70lbs
Radome Material	Fiber Glass
Mounting	2 position pipe mount Compatible pipe diameter: 6.1 – 11.4 cm 2.4 – 4.5 inch

ENVIRONMENTAL RATINGS

Humidity	95% RH @ +30°C
Temperature	-40°C to +70°C
Wind load @ 150km/h	N / lbf Frontal: 387 / 87 Lateral: 602 / 135.3 Rear: 555 / 124.8

CONNECTOR/BEAM LAYOUT:

