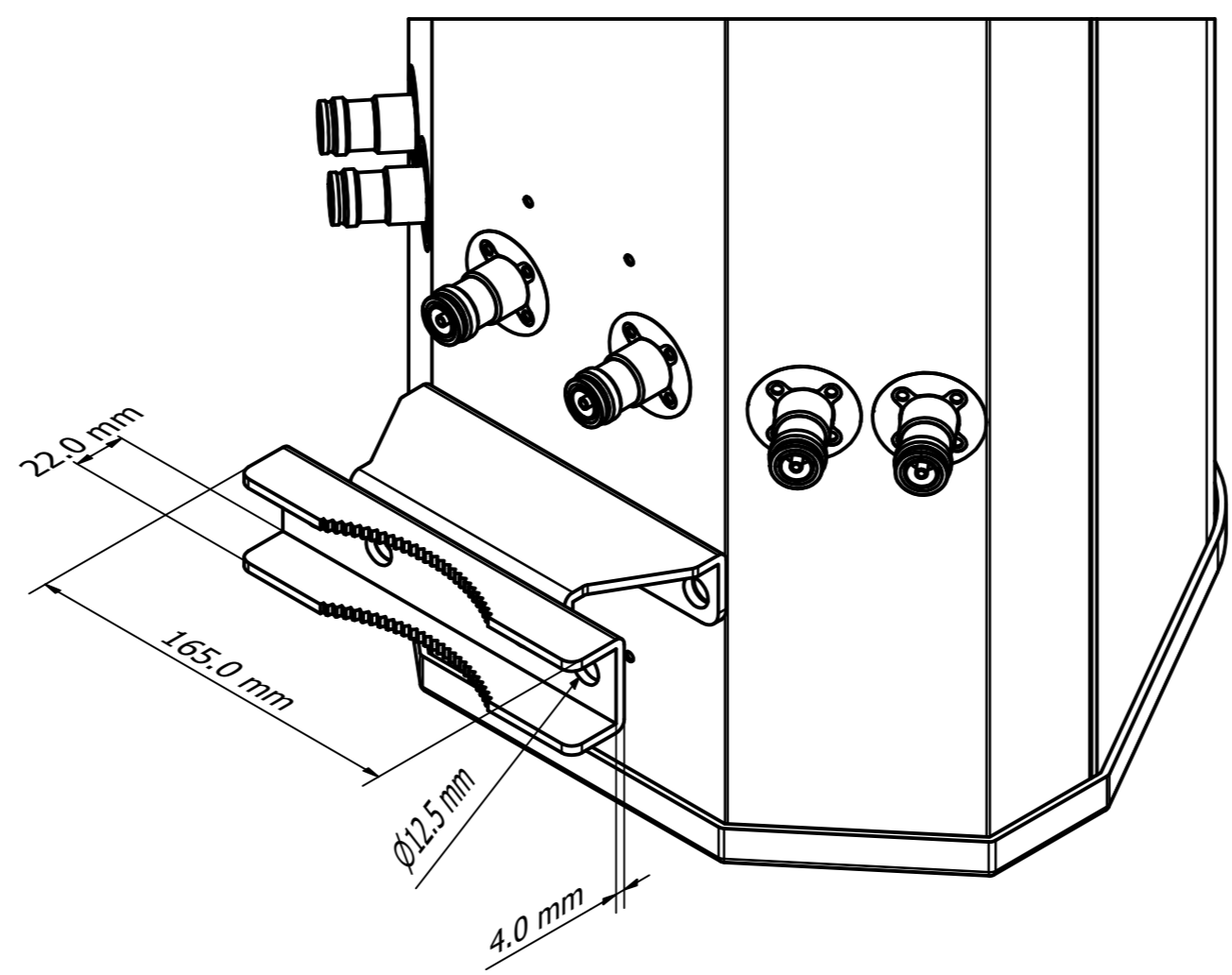
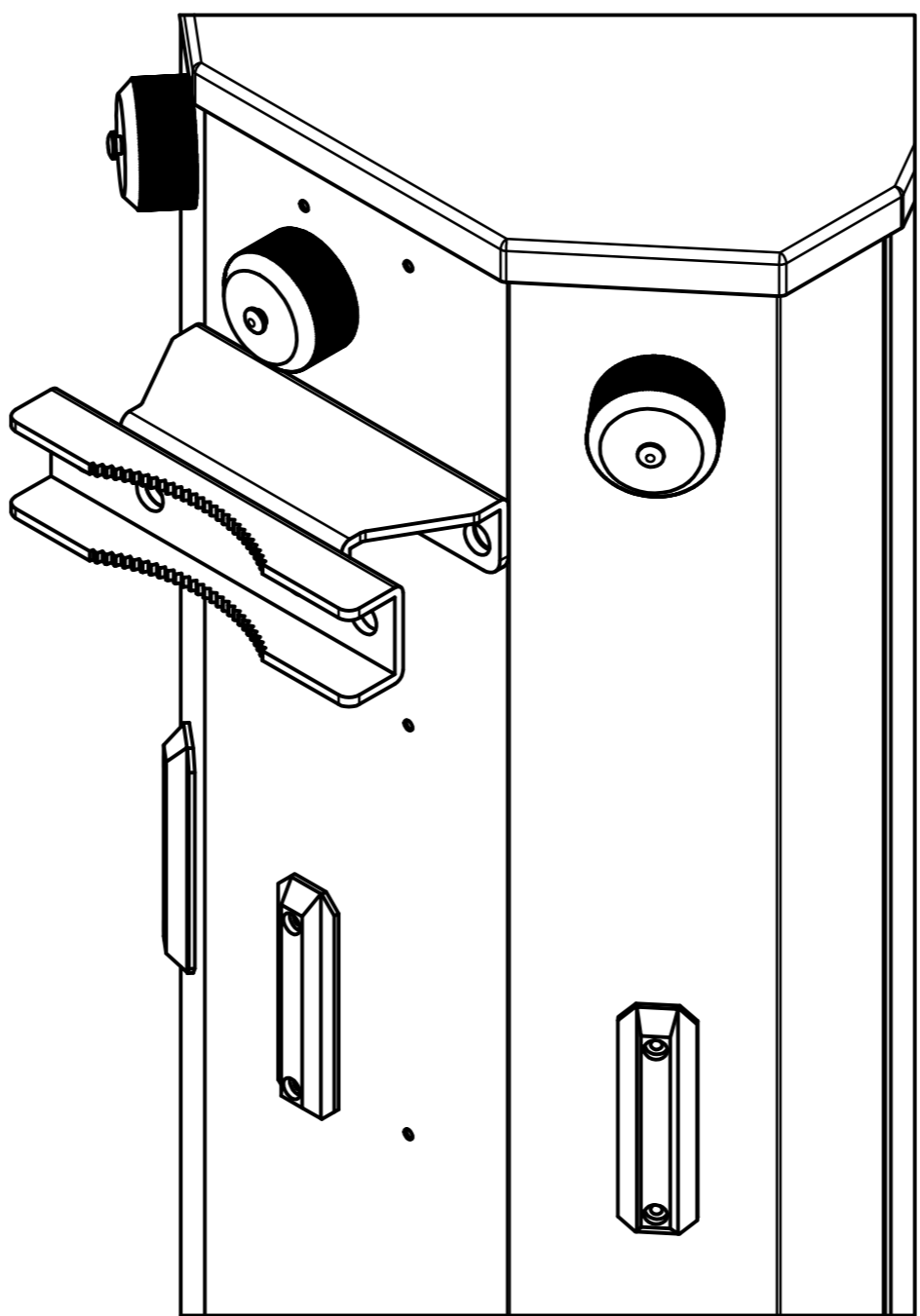
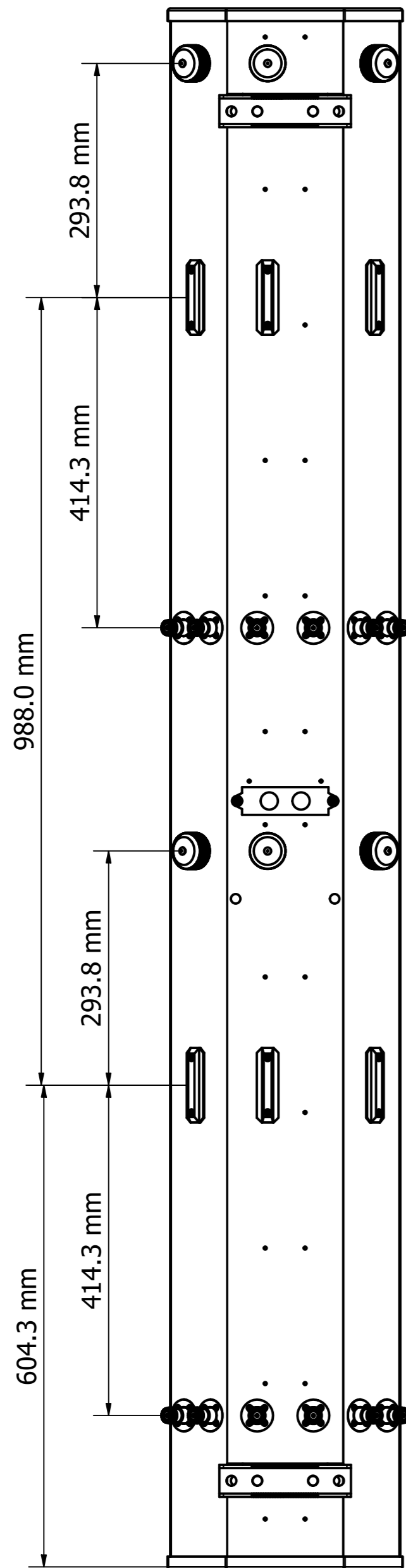
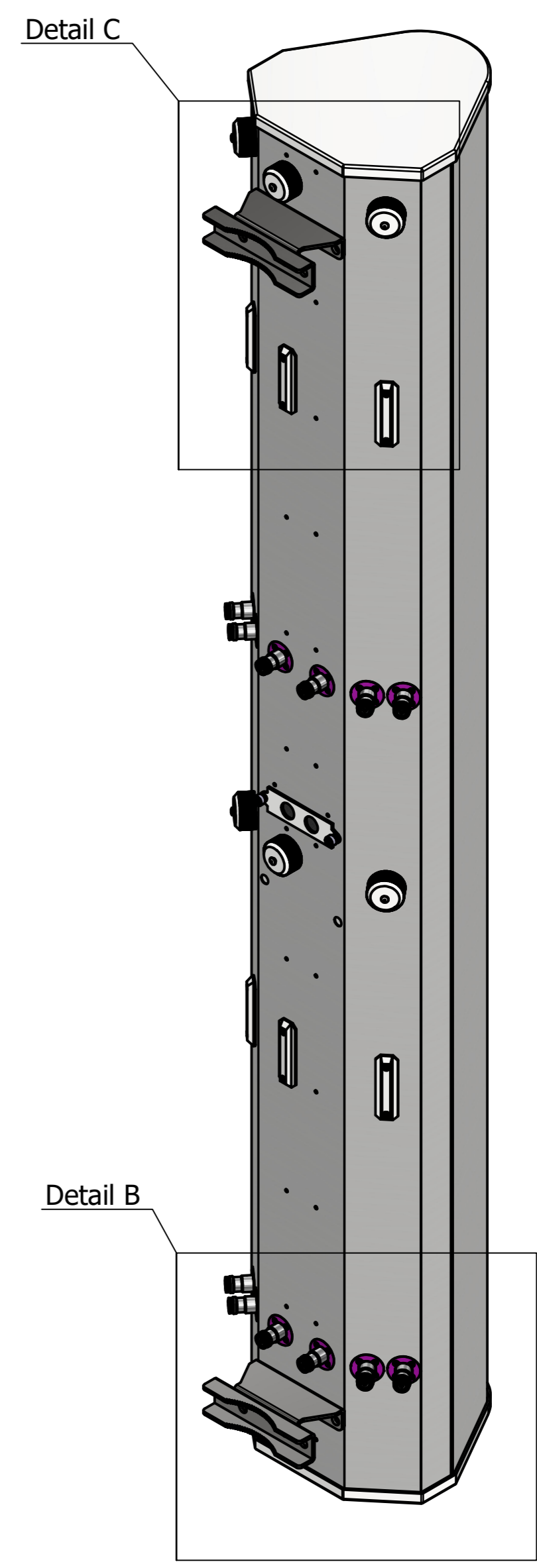


Designed by VIGNESH	Drawing by LAWRENCE	Date 9/9/2022	Approved by PAVEL	Date 12/9/2022	Quantity	Material		
<b>MATSING</b> LENS TECHNOLOGY ENABLED						MS-MBA-3-F4A5		
						MS-MBA-3-F4A5 (mm)	Revision 1.0	Sheet 1 / 3

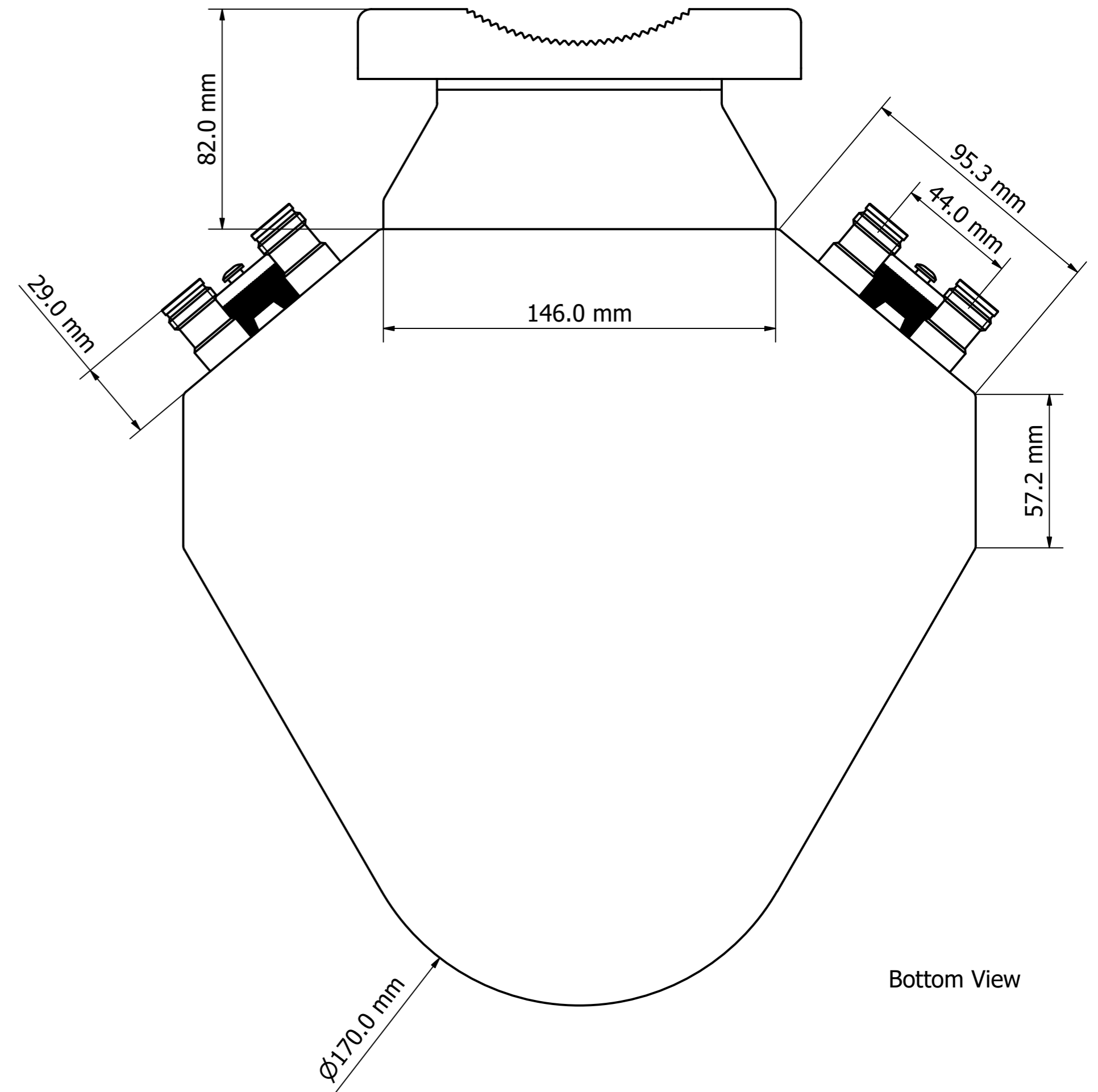
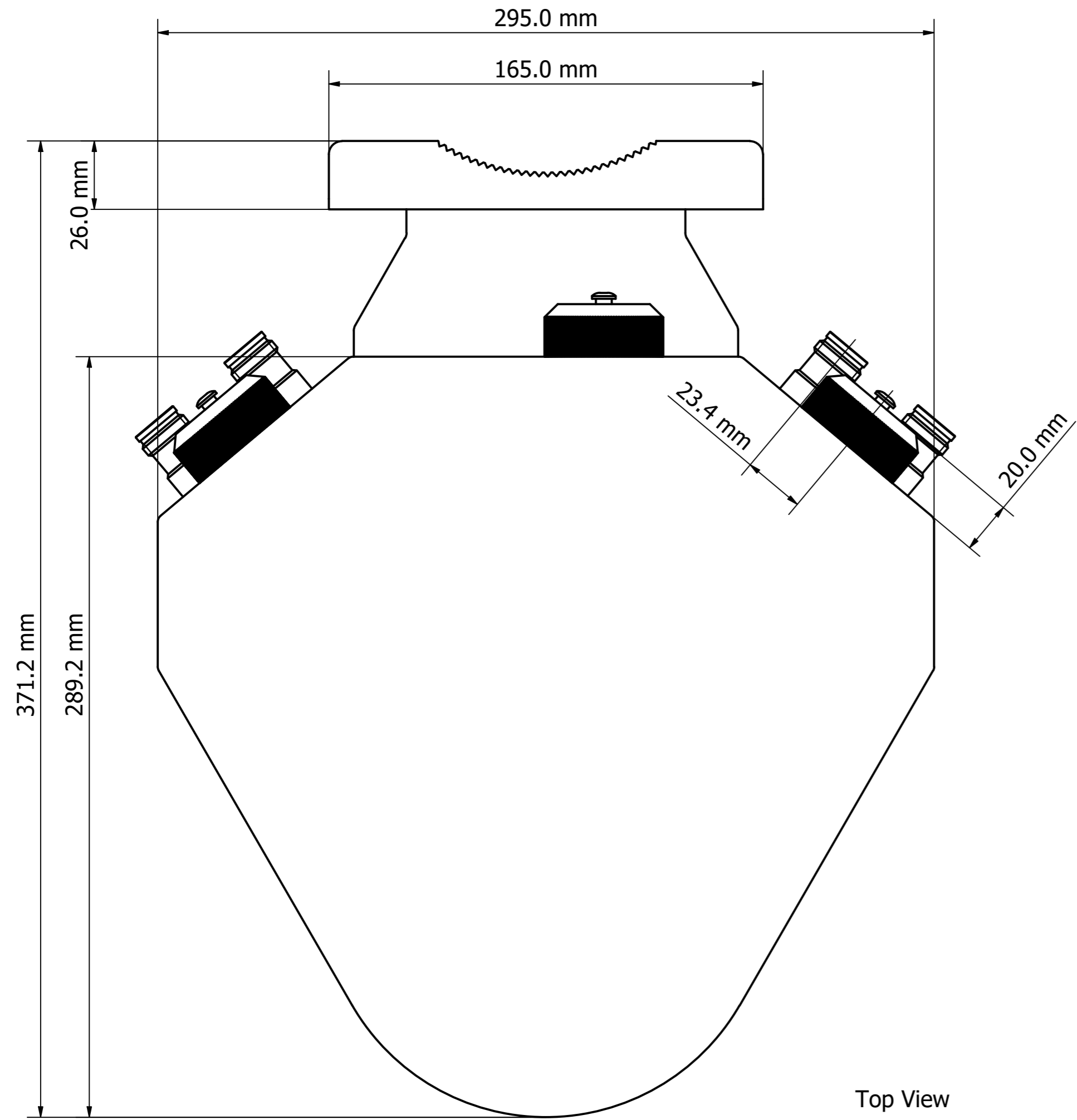


Detail C

Detail B



Designed by VIGNESH	Drawing by LAWRENCE	Date 9/9/2022	Approved by PAVEL	Date 12/9/2022	Quantity	Material
<b>MATSING</b> LENS TECHNOLOGY ENABLED						MS-MBA-3-F4A5
					MS-MBA-3-F4A5 (mm)	Revision 1.0
					Sheet 2 / 3	



Designed by VIGNESH	Drawing by LAWRENCE	Date 9/9/2022	Approved by PAVEL	Date 12/9/2022	Quantity	Material
<b>MATSING</b> LENS TECHNOLOGY ENABLED						MS-MBA-3-F4A5
MS-MBA-3-F4A5 (mm)					Revision 1.0	Sheet 3 / 3