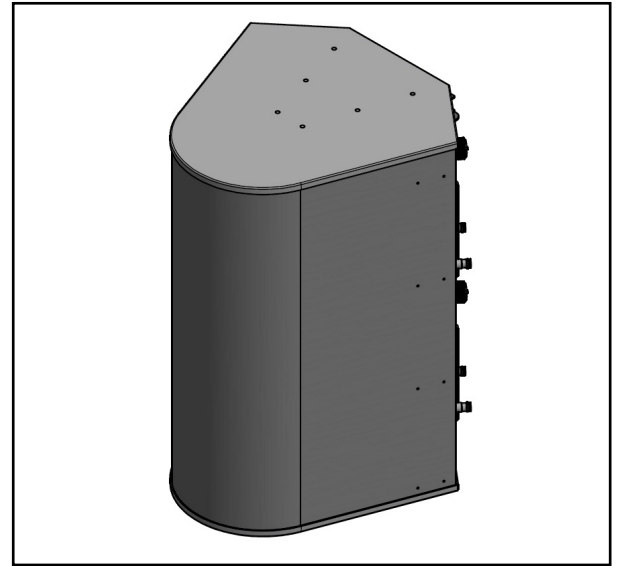


## MS-MBA-3-F4

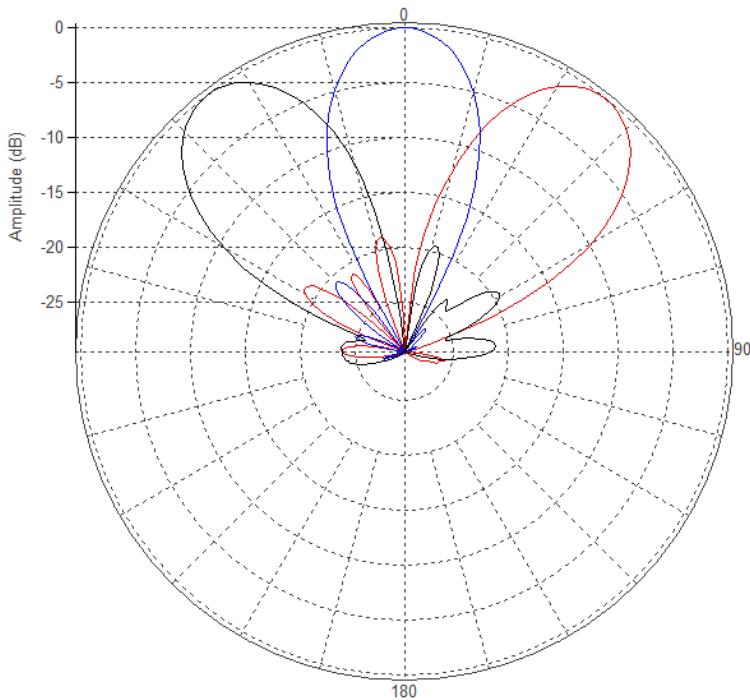
**Lens Technology Enabled™ Multi-Beam Base-Station Antenna perfect for six to nine sector LTE cell site deployments, utilizes a patented spherical lens design with 3 isolated CBR5-frequency (3300 - 4200MHz) cross-polarized beams. Each beam has 4 ports, or 4X4 MIMO.**

**Tilt is adjustable from 0° to 30° for each beam.**

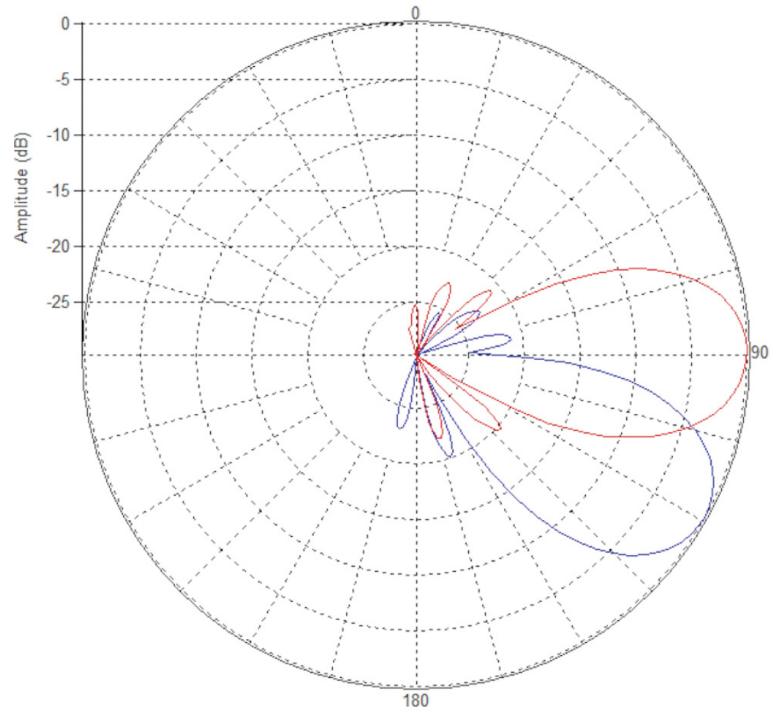


### PATTERN RESULTS:

**Horizontal Beam Pattern (3.6GHz)**



**Vertical Pattern at 0° and 30° Tilt (3.6GHz)**



## TECHNICAL SPECIFICATIONS

Frequency	3300 MHz – 4200 MHz
Gain	17dBi
VSWR	<1.5:1
Polarization	Dual Slant ±45°
Horizontal Coverage	120°
Horizontal Beamwidth (3dB level)	25°
Horizontal Beamwidth (10dB level)	45°
Vertical Beamwidth (3dB level)	25°
Vertical Beamwidth (10dB level)	45°
Beam Cross-over	6-8 dB typical
Total Number of Beams	3
Number of Ports per Beam	4
Number of Ports Total	12
Tilt Per Cross-Pol	0° - 30°
First Sidelobe level	< -18dB
Front to Back Ratio	>28dB
Isolation Port to Port - Polarization	>28dB
Isolation Port to Port - Beam	>28dB
Power Rating	150W per port
Intermodulation	<-153dBc
Impedance	50 ohm
Connector Quantity and Type	12 x 4.3-10 female

## MECHANICAL DATA

Dimensions (H x W x D)	61 x 41 x 38 cm 24 x 16 x 15 inch
Antenna Weight	9kg 20lbs
Radome Material	Polycarbonate
Mounting	Standard pipe mount Compatible pipe diameter: 6.1 – 11.4 cm 2.4 – 4.5 inch

## ENVIRONMENTAL RATINGS

Humidity	95% RH @ +30°C
Temperature	-40°C to +70°C
Wind Load (Lateral)	TBD