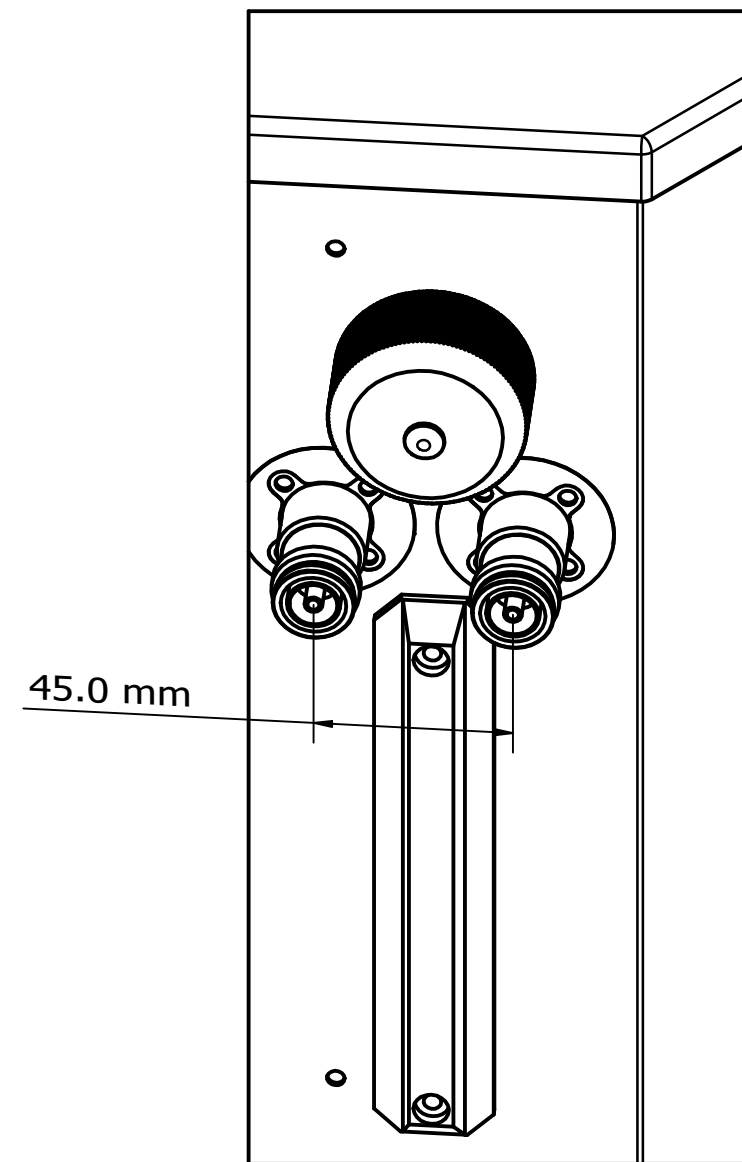
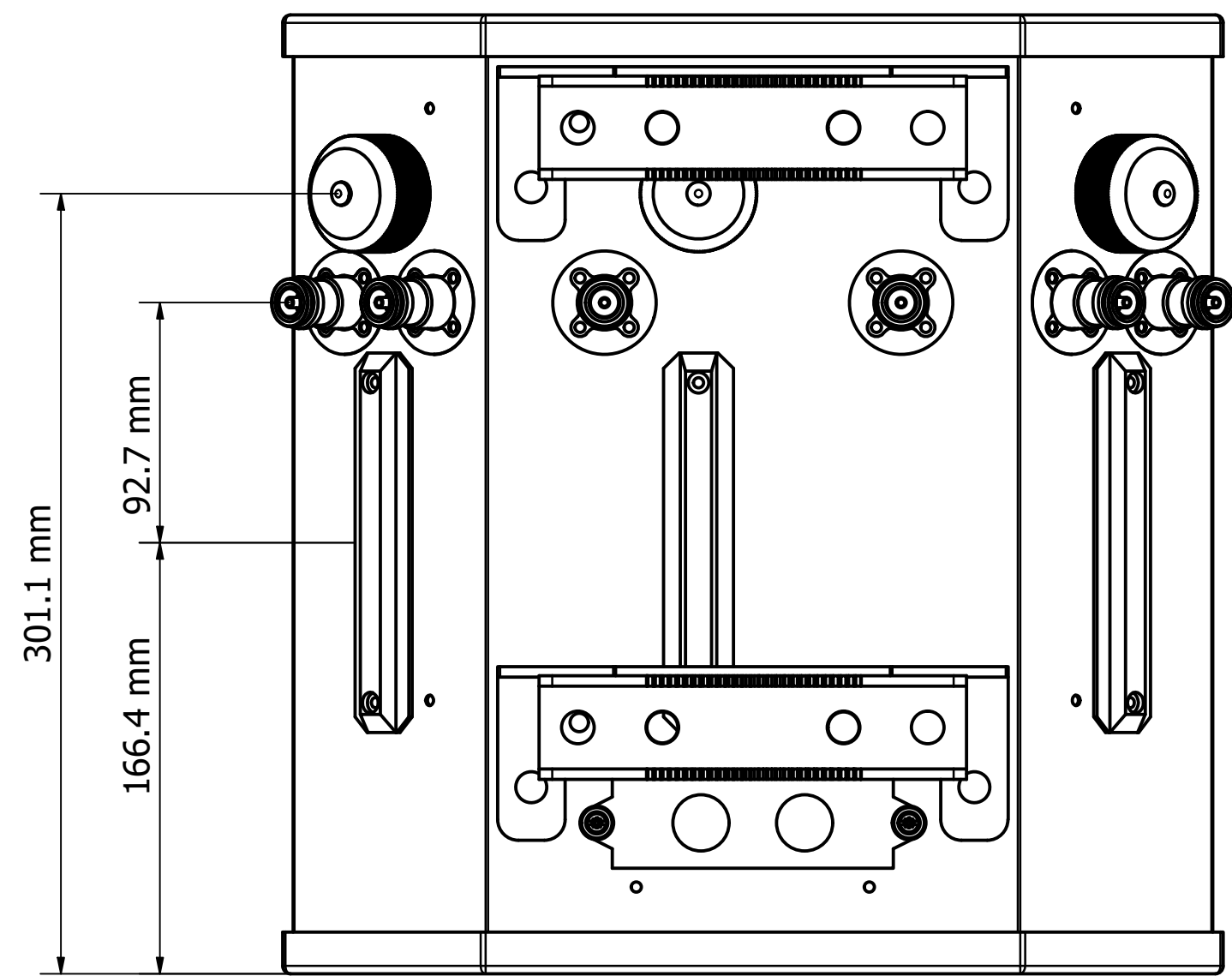
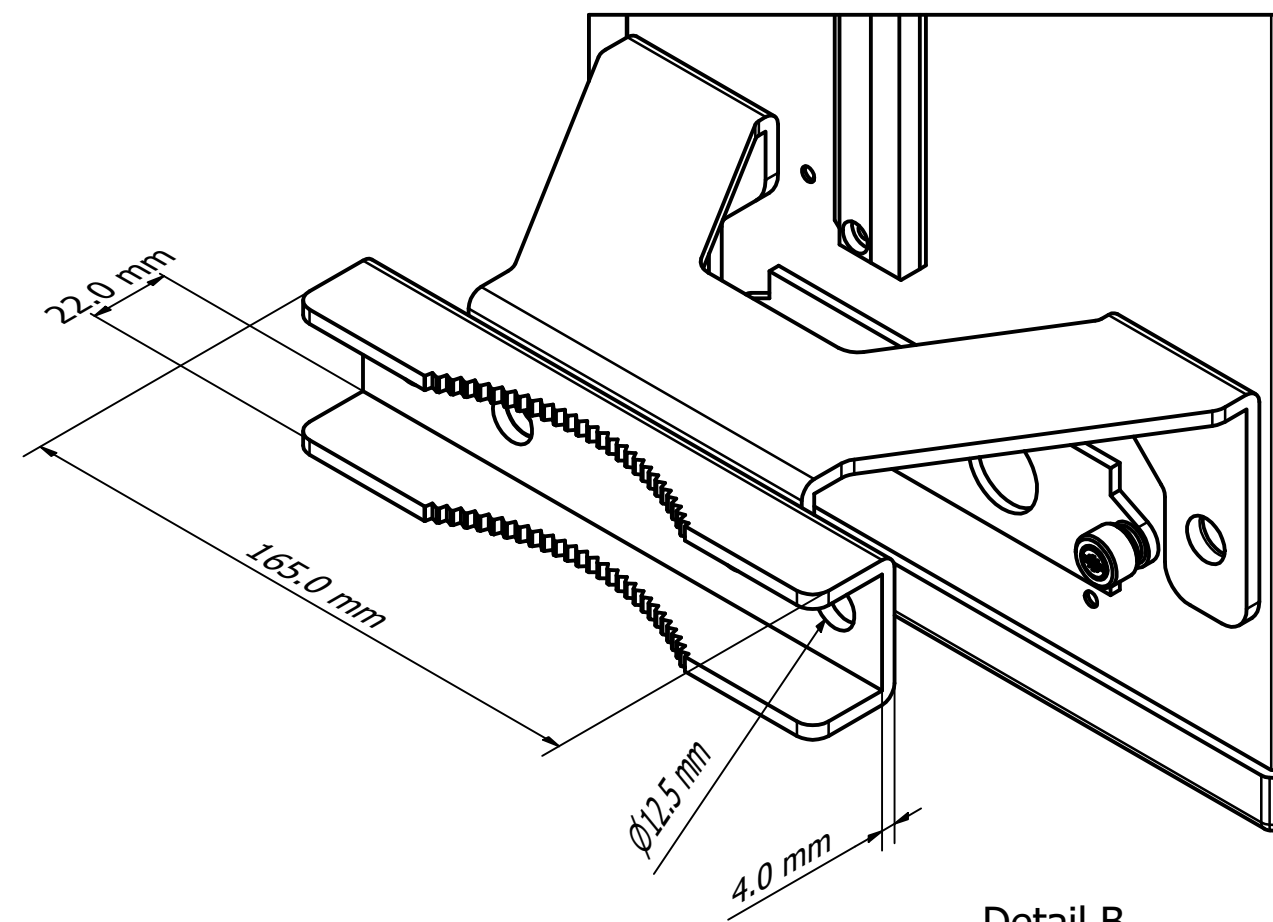
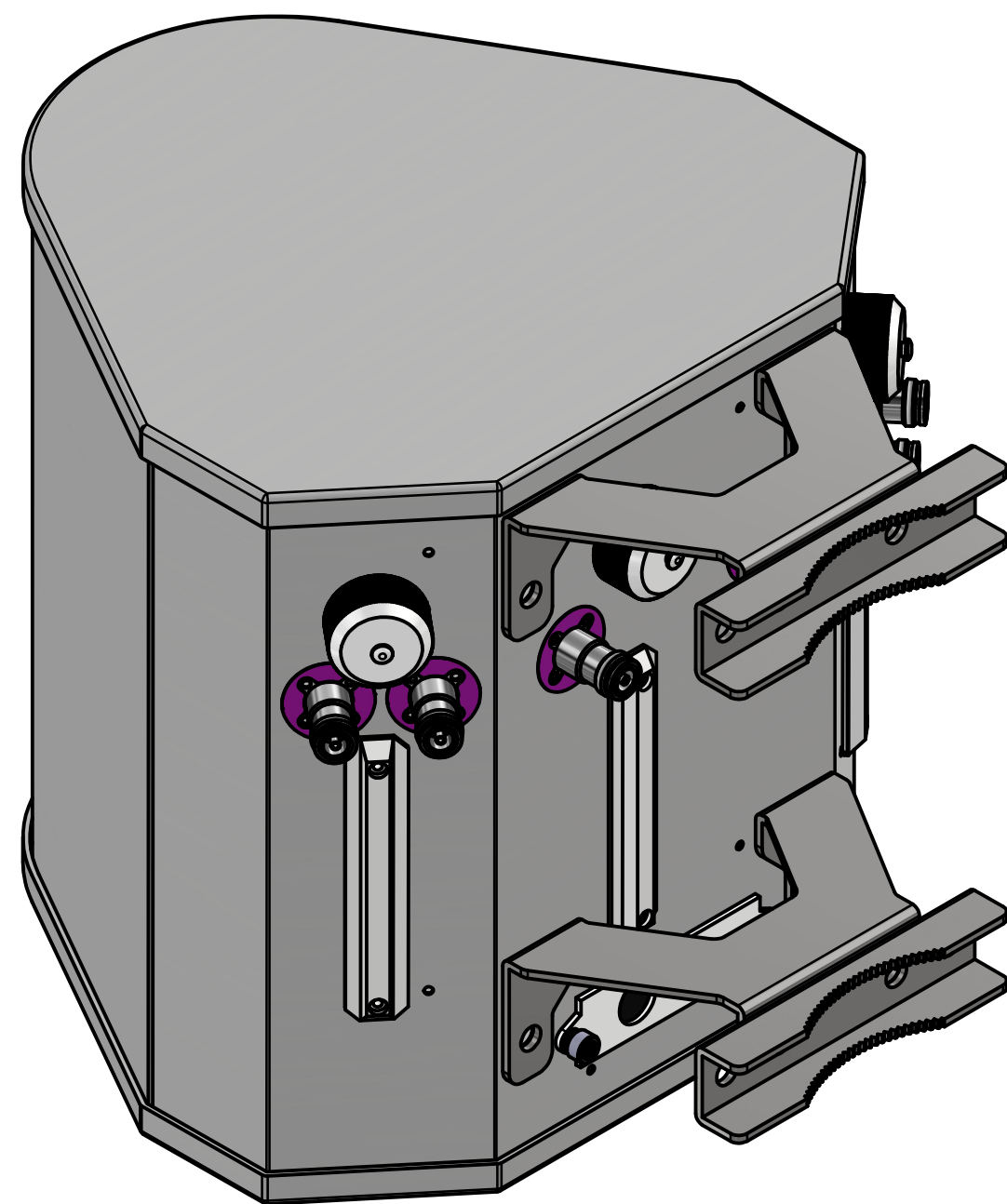
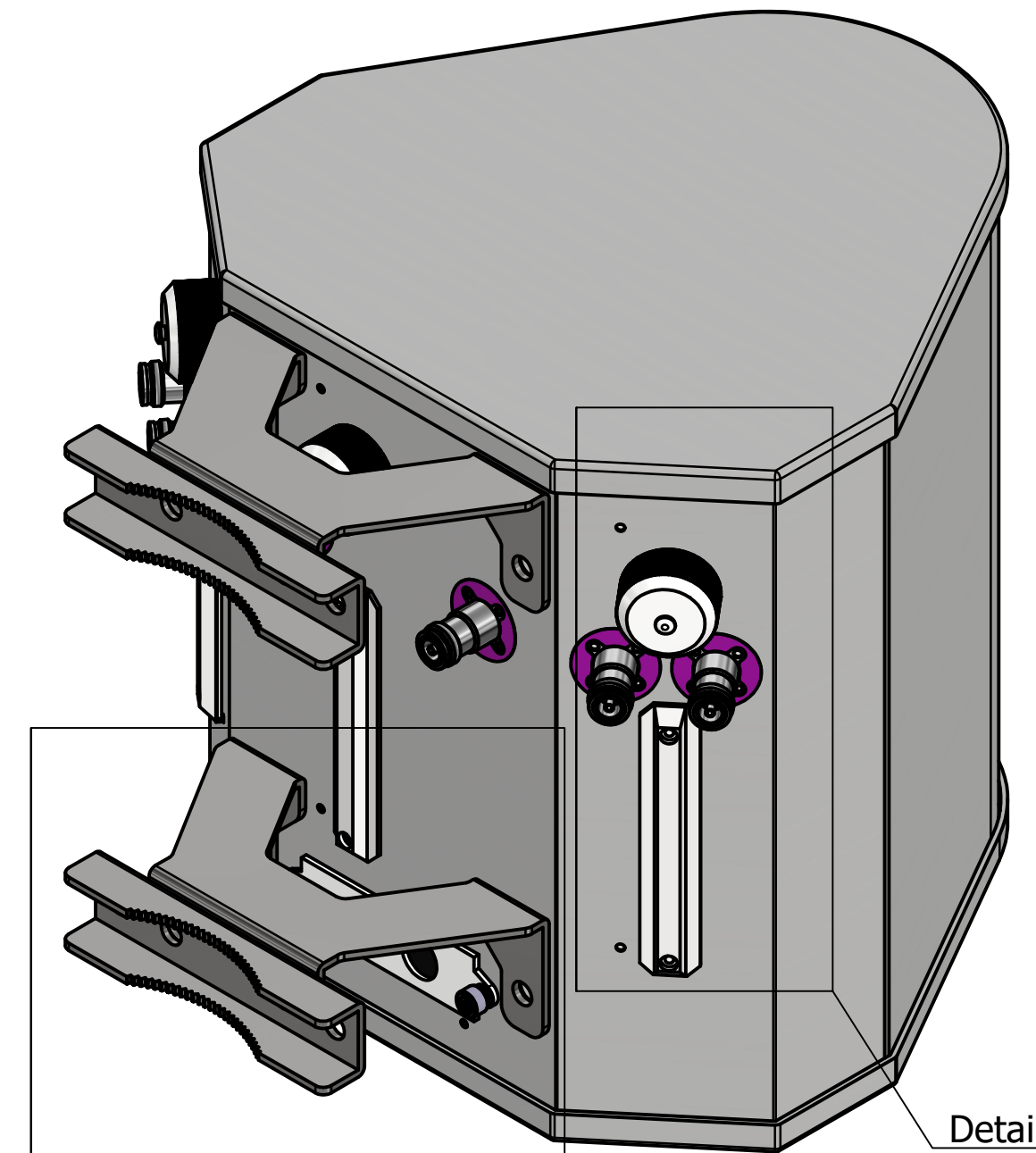


Designed by VIGNESH	Drawing by LAWRENCE	Date 1/3/2023	Approved by PAVEL	Date 3/3/2023	Quantity	Material	
MATSING LENS TECHNOLOGY ENABLED						MS-MBA-3-F2	
MS-MBA-3-F2 (mm)						Revision 1.0	Sheet 1 / 3

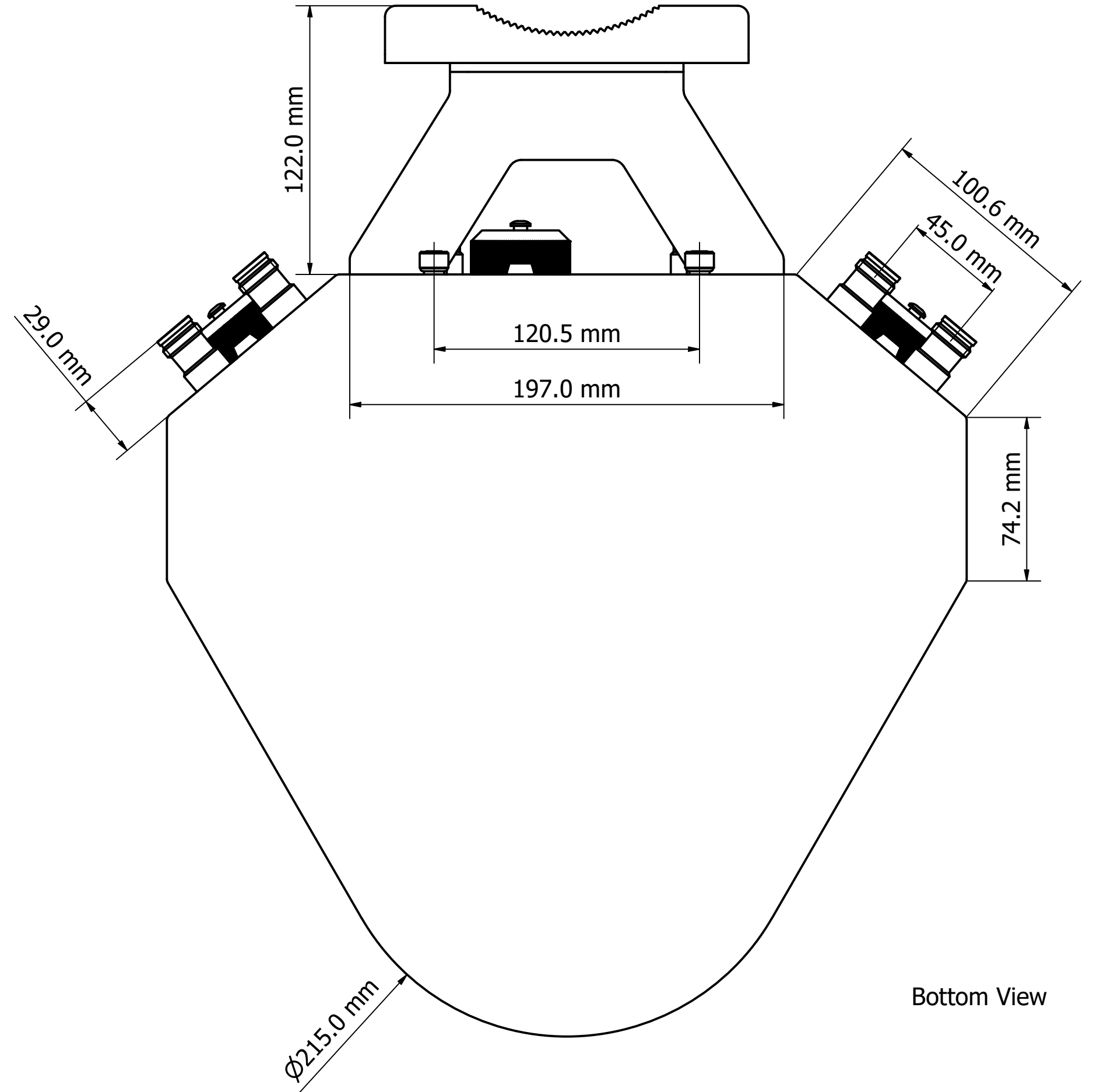
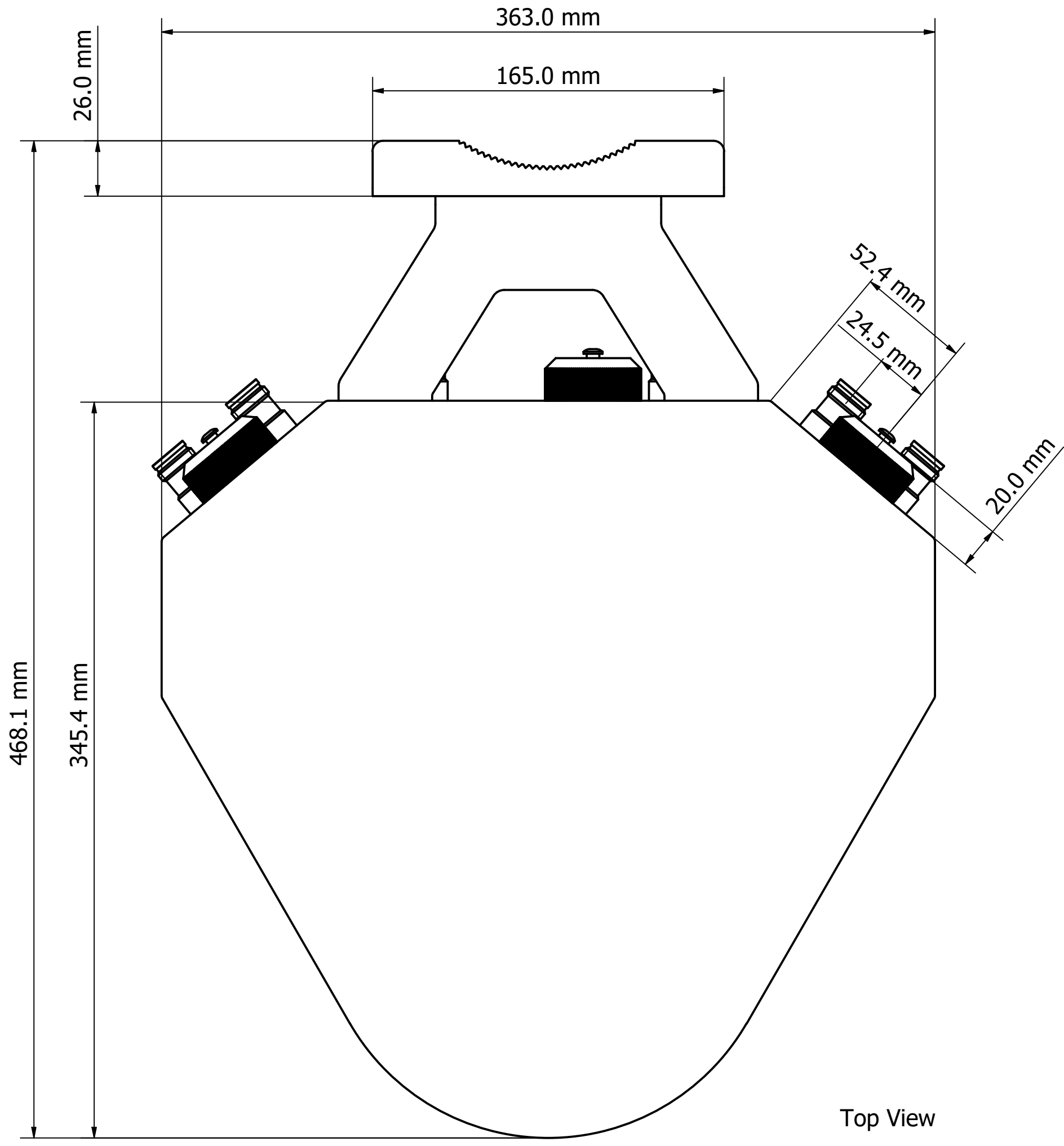


Detail C



Detail B

Designed by VIGNESH	Drawing by LAWRENCE	Date 1/3/2023	Approved by PAVEL	Date 3/3/2023	Quantity	Material
MATSING LENS TECHNOLOGY ENABLED						MS-MBA-3-F2
					MS-MBA-3-F2 (mm)	Revision 1.0
					Sheet 2 / 3	



Designed by VIGNESH	Drawing by LAWRENCE	Date 1/3/2023	Approved by PAVEL	Date 3/3/2023	Quantity	Material
MATSING LENS TECHNOLOGY ENABLED						MS-MBA-3-F2
MS-MBA-3-F2 (mm)					Revision 1.0	Sheet 3 / 3