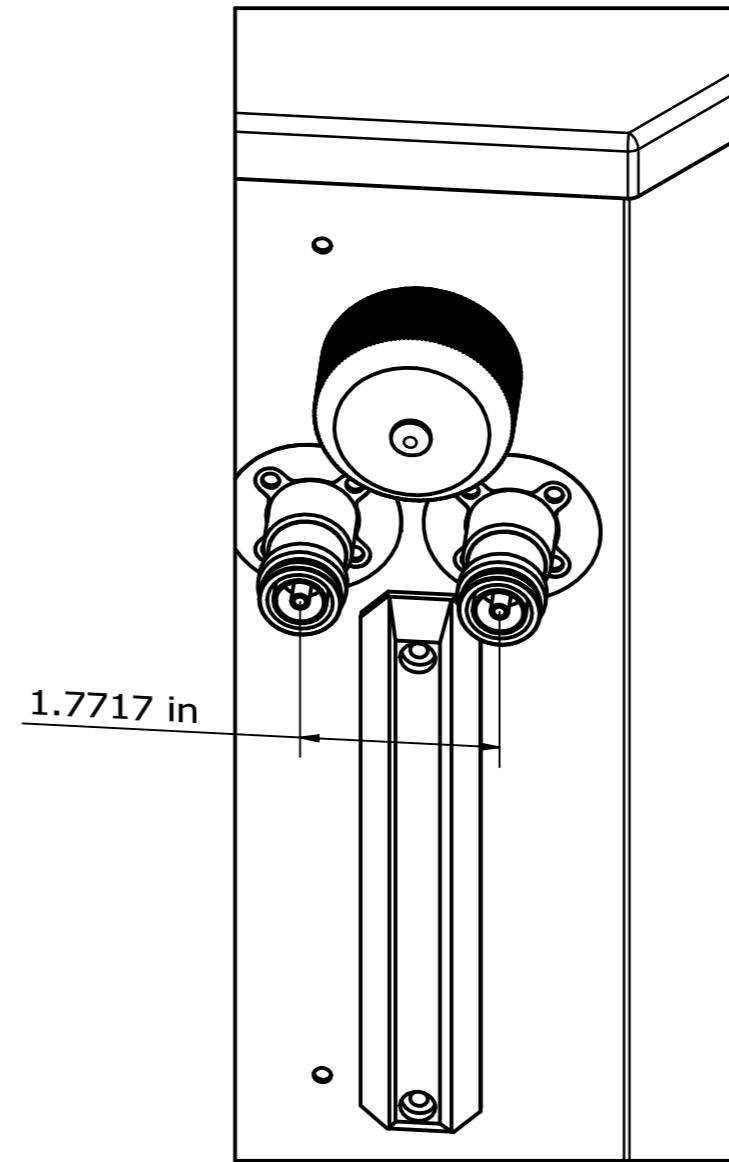
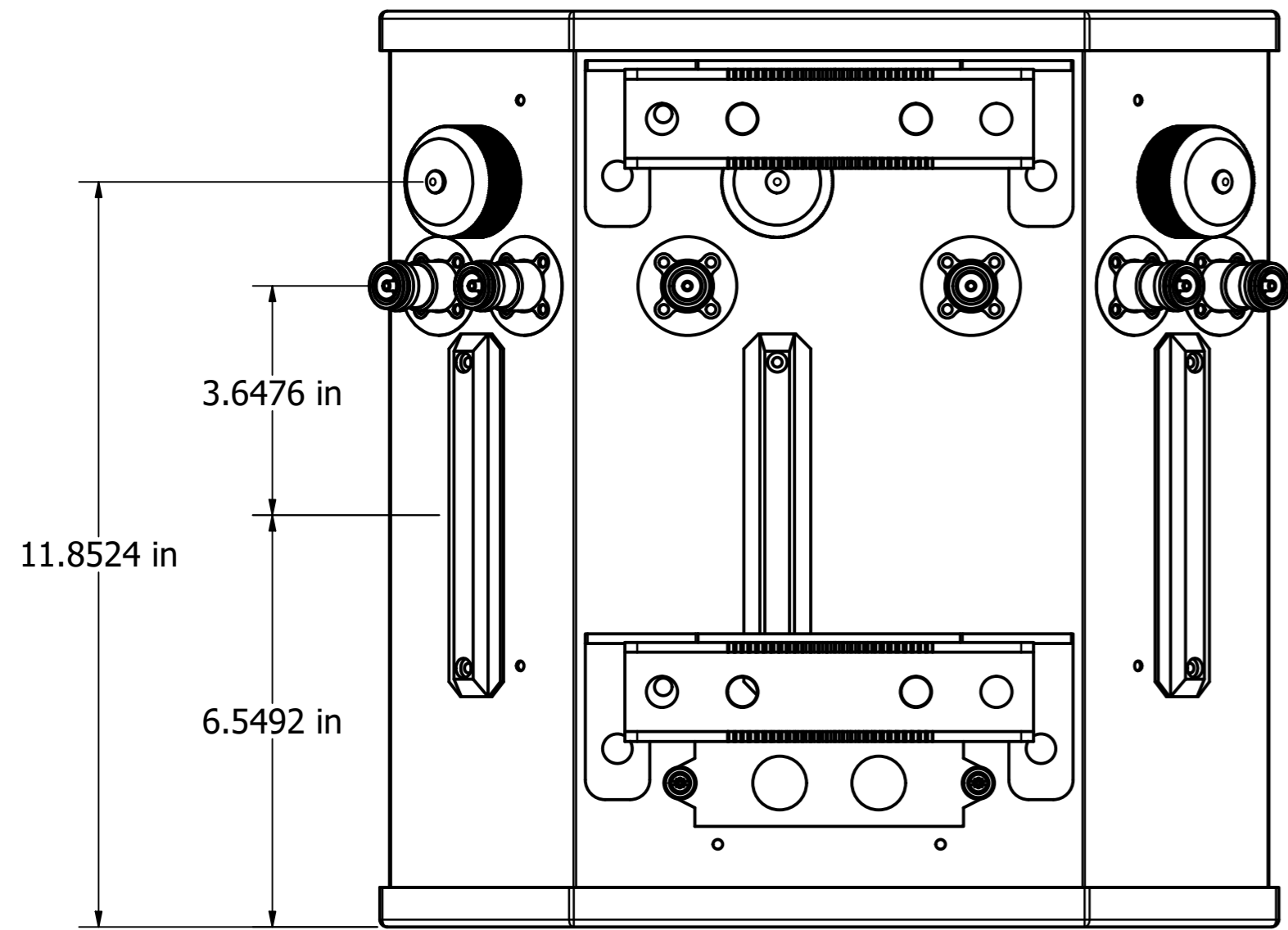
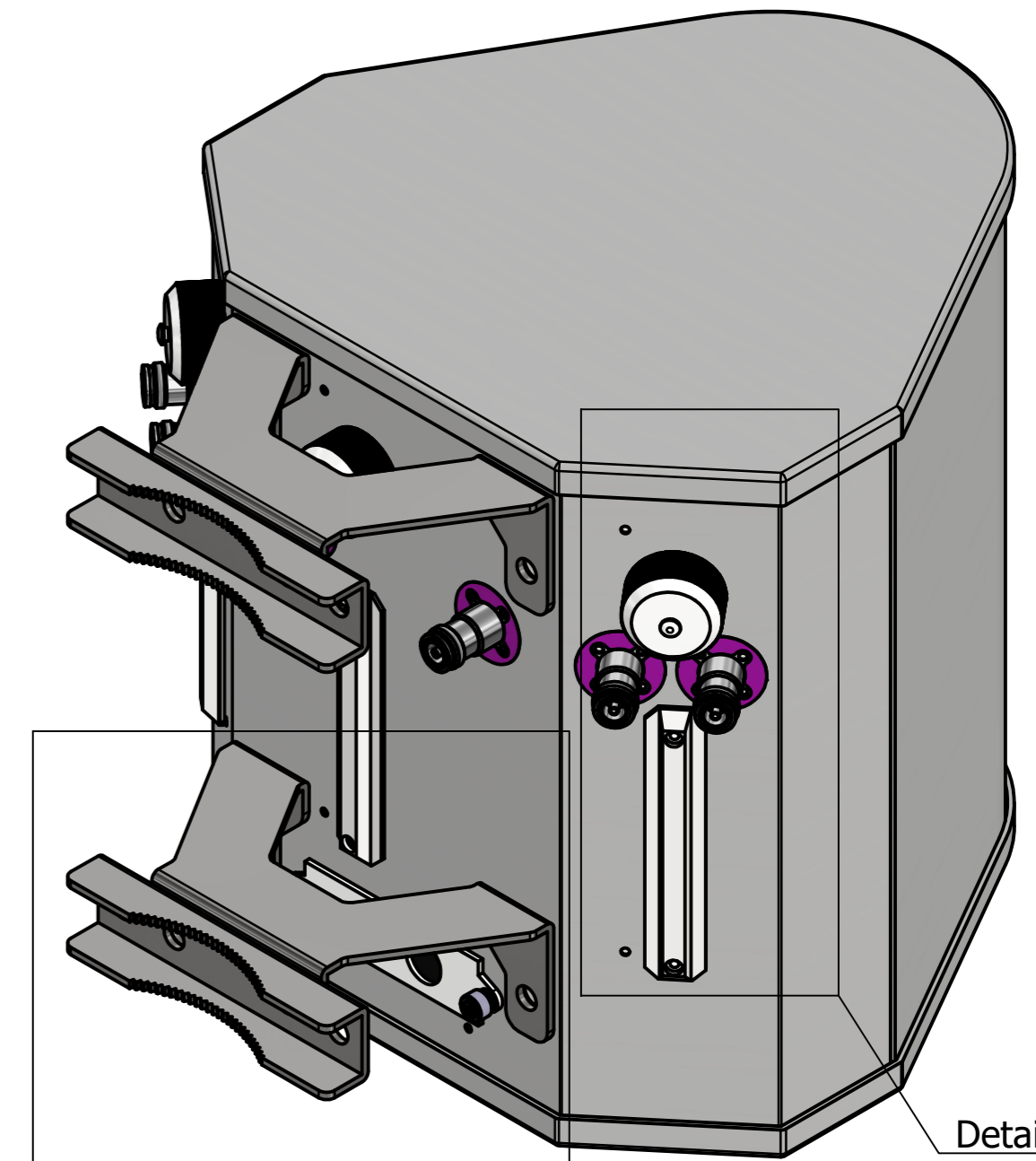


Designed by	Drawing by	Date	Approved by	Date	Quantity	Material
VIGNESH	LAWRENCE	1/3/2023	PAVEL	3/3/2023		
<b>MATSING</b>						MS-MBA-3-F2
LENS TECHNOLOGY ENABLED						MS-MBA-3-F2 (in)
					Revision	Sheet
					1.0	1 / 3

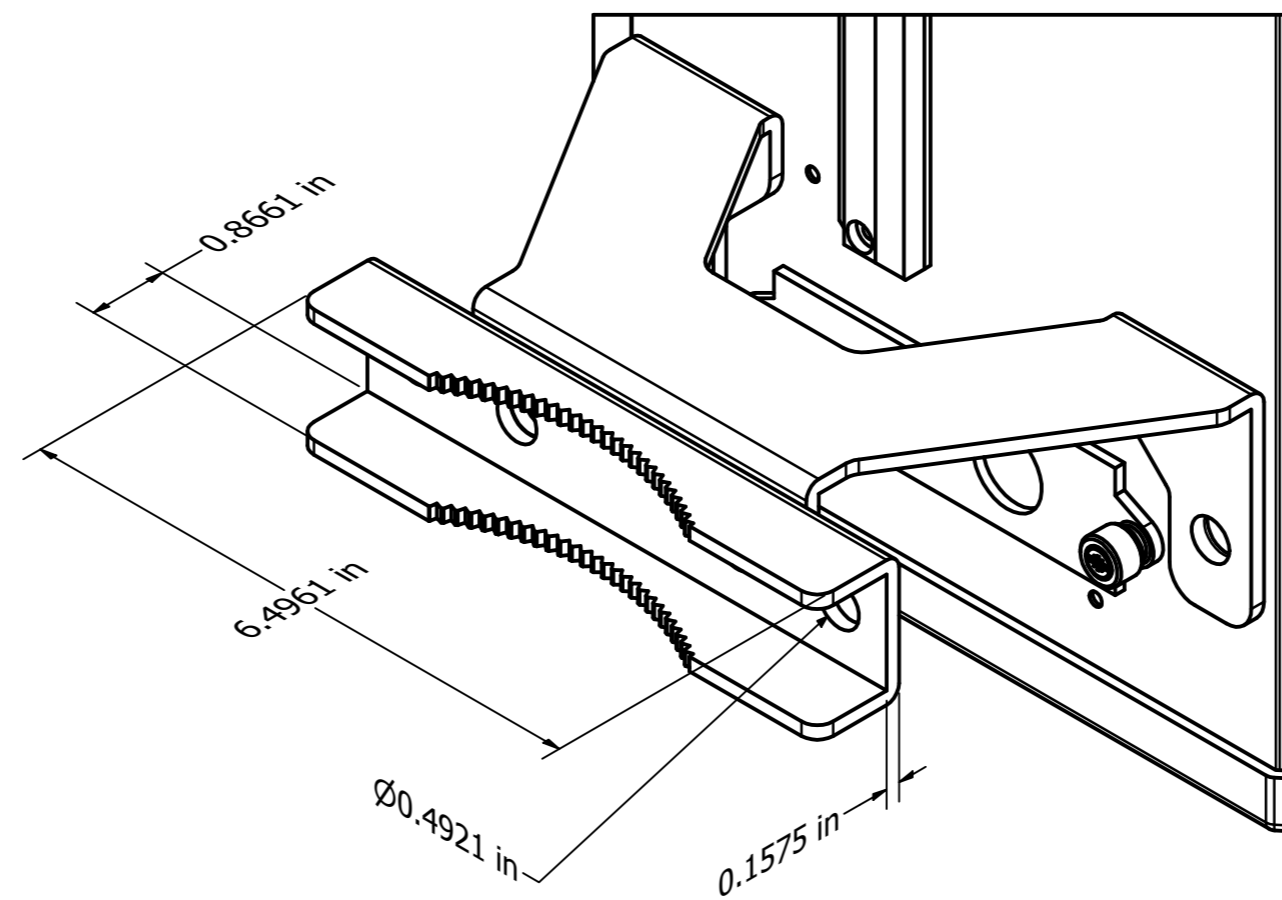
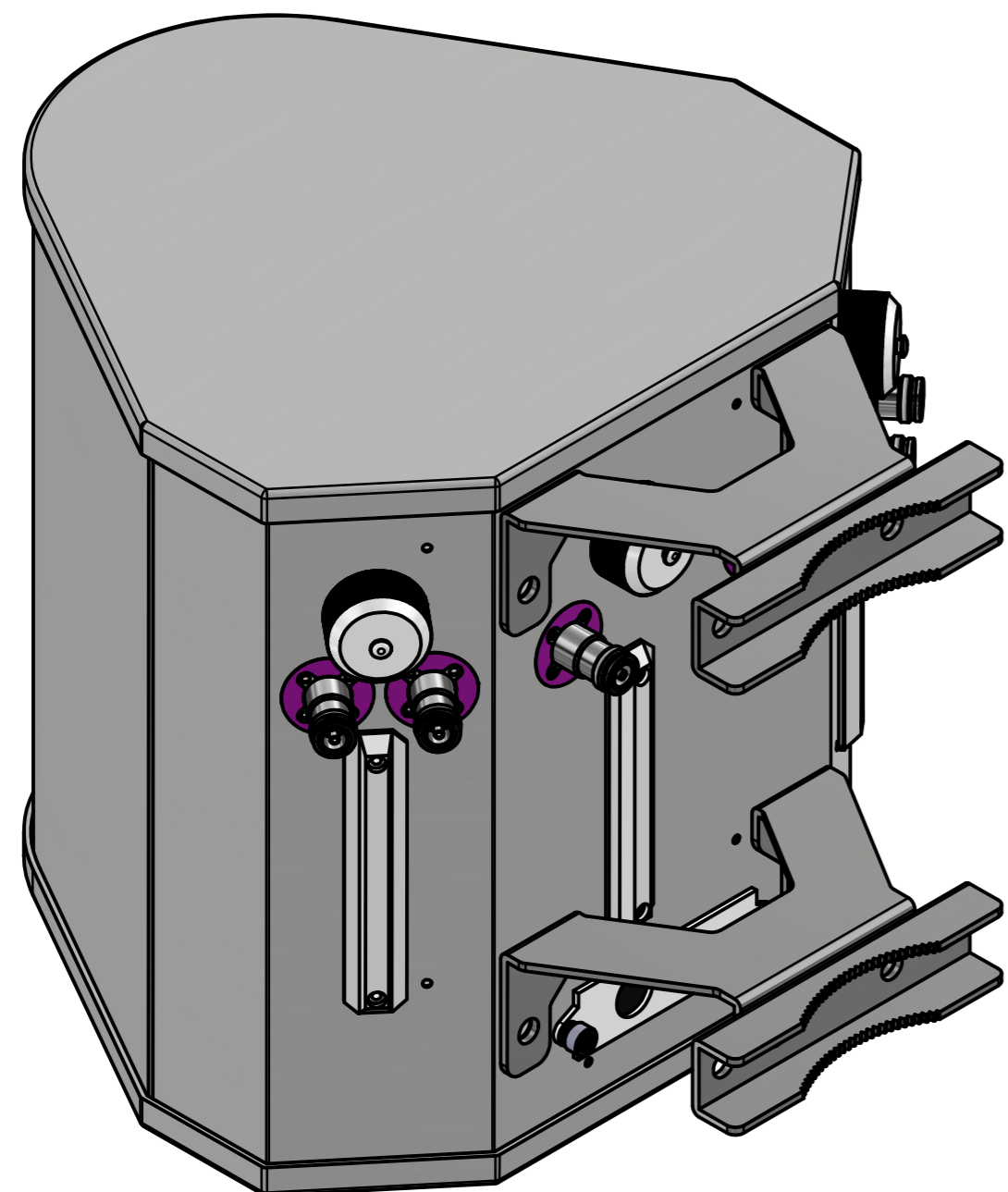


Detail C



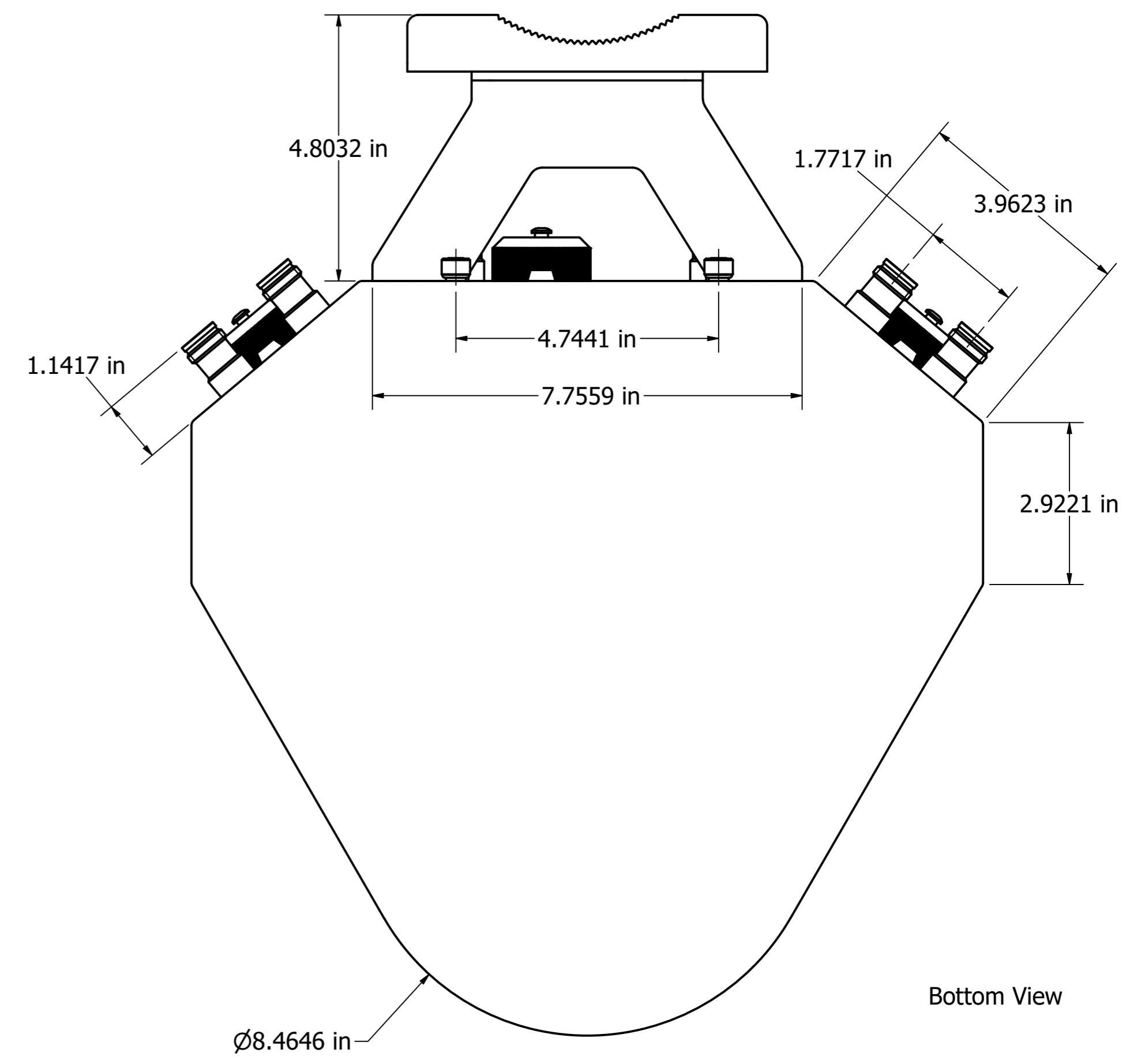
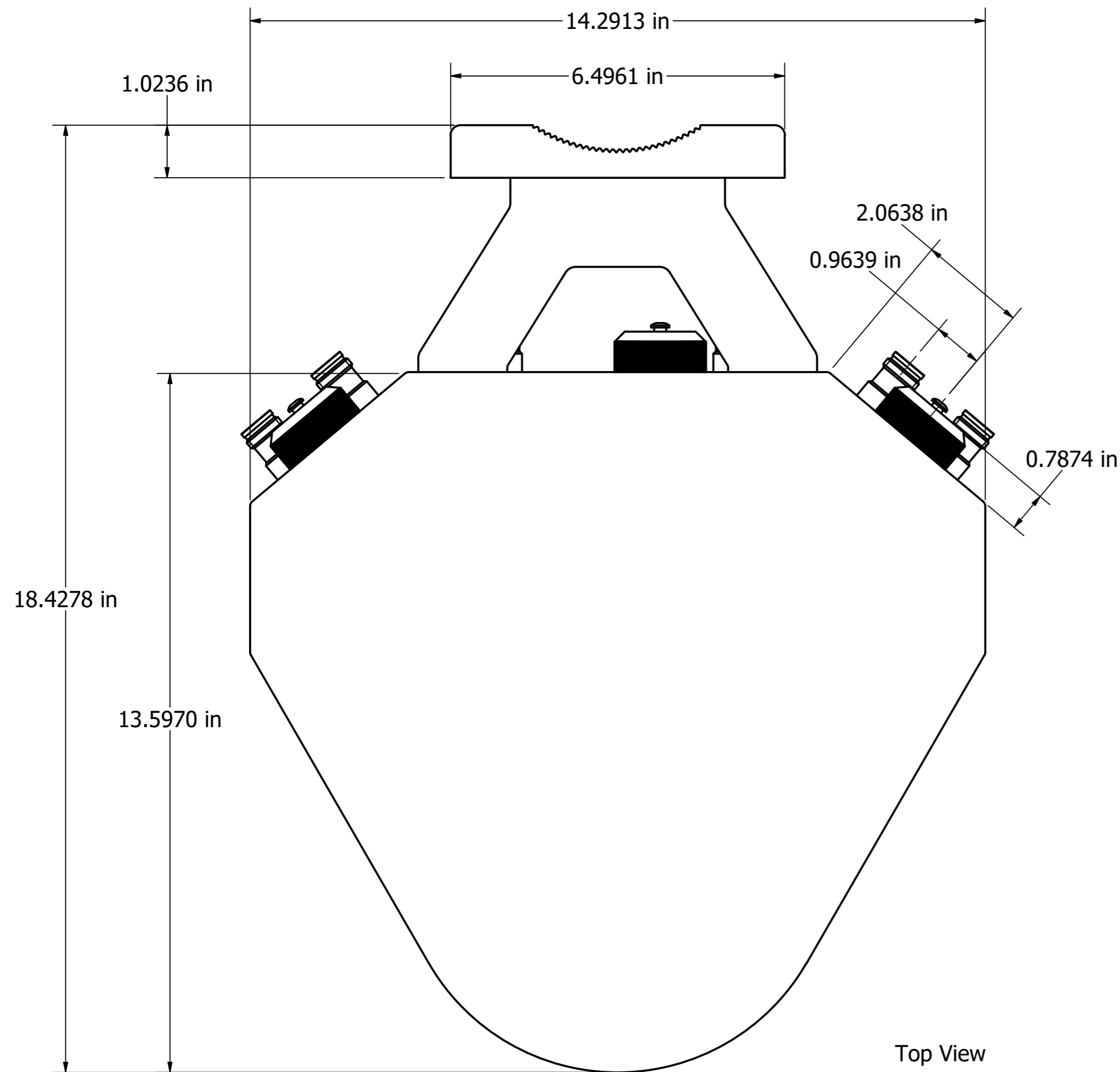
Detail C

Detail B



Detail B

Designed by VIGNESH	Drawing by LAWRENCE	Date 1/3/2023	Approved by PAVEL	Date 3/3/2023	Quantity	Material
<b>MATSING</b> LENS TECHNOLOGY ENABLED						MS-MBA-3-F2
MS-MBA-3-F2 (in)					Revision 1.0	Sheet 2 / 3



Designed by VIGNESH	Drawing by LAWRENCE	Date 1/3/2023	Approved by PAVEL	Date 3/3/2023	Quantity	Material
<b>MATSING</b> LENS TECHNOLOGY ENABLED						MS-MBA-3-F2
MS-MBA-3-F2 (in)					Revision 1.0	Sheet 3 / 3