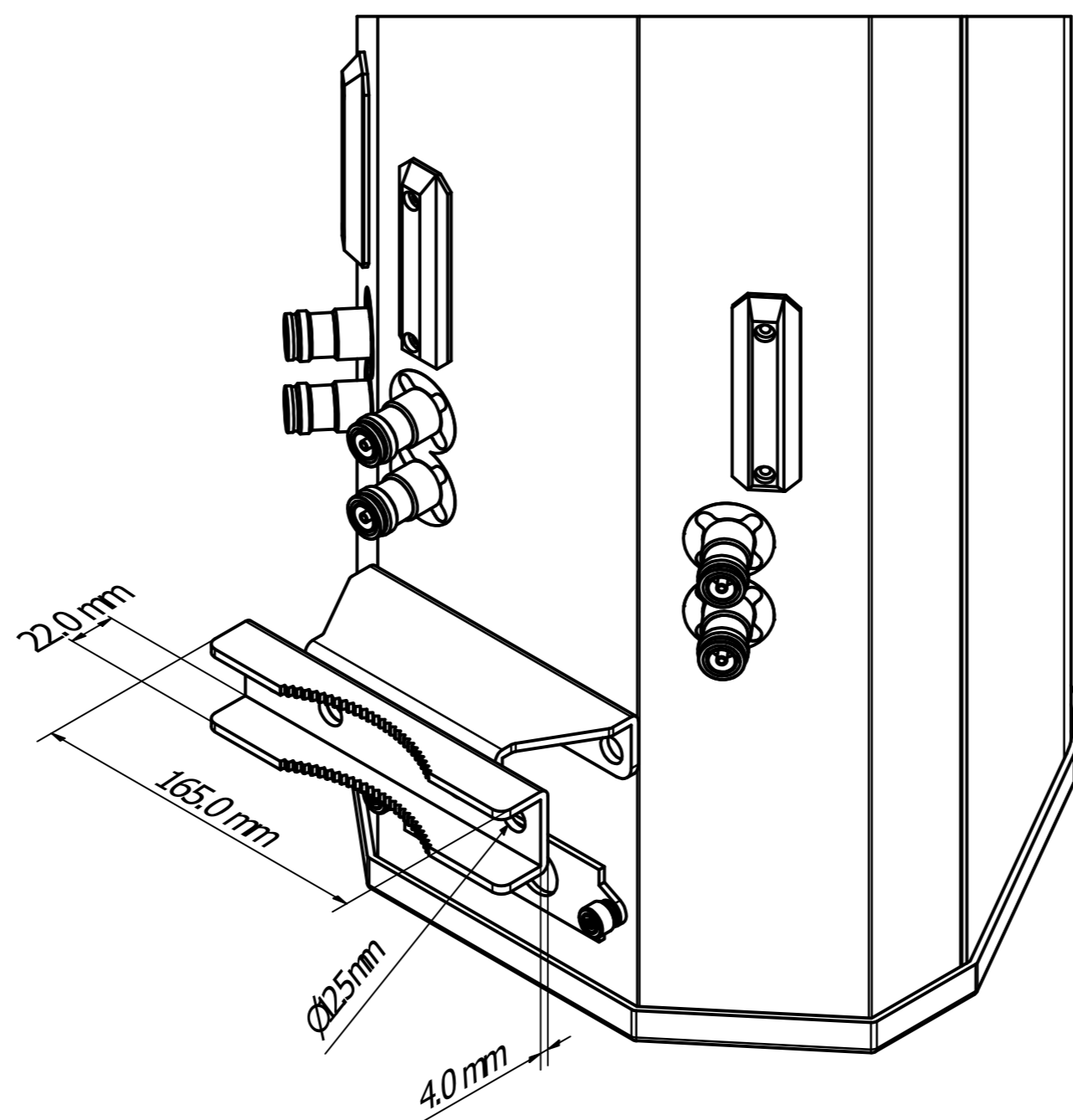
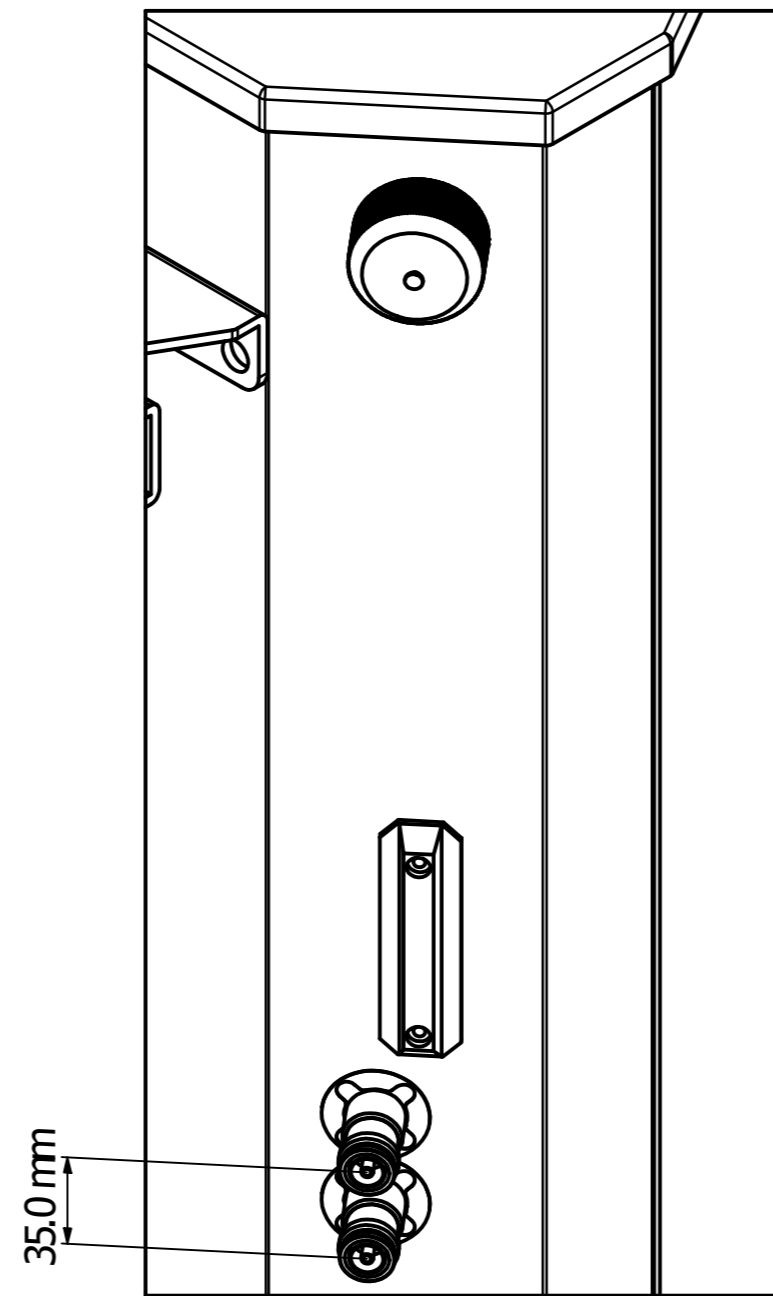
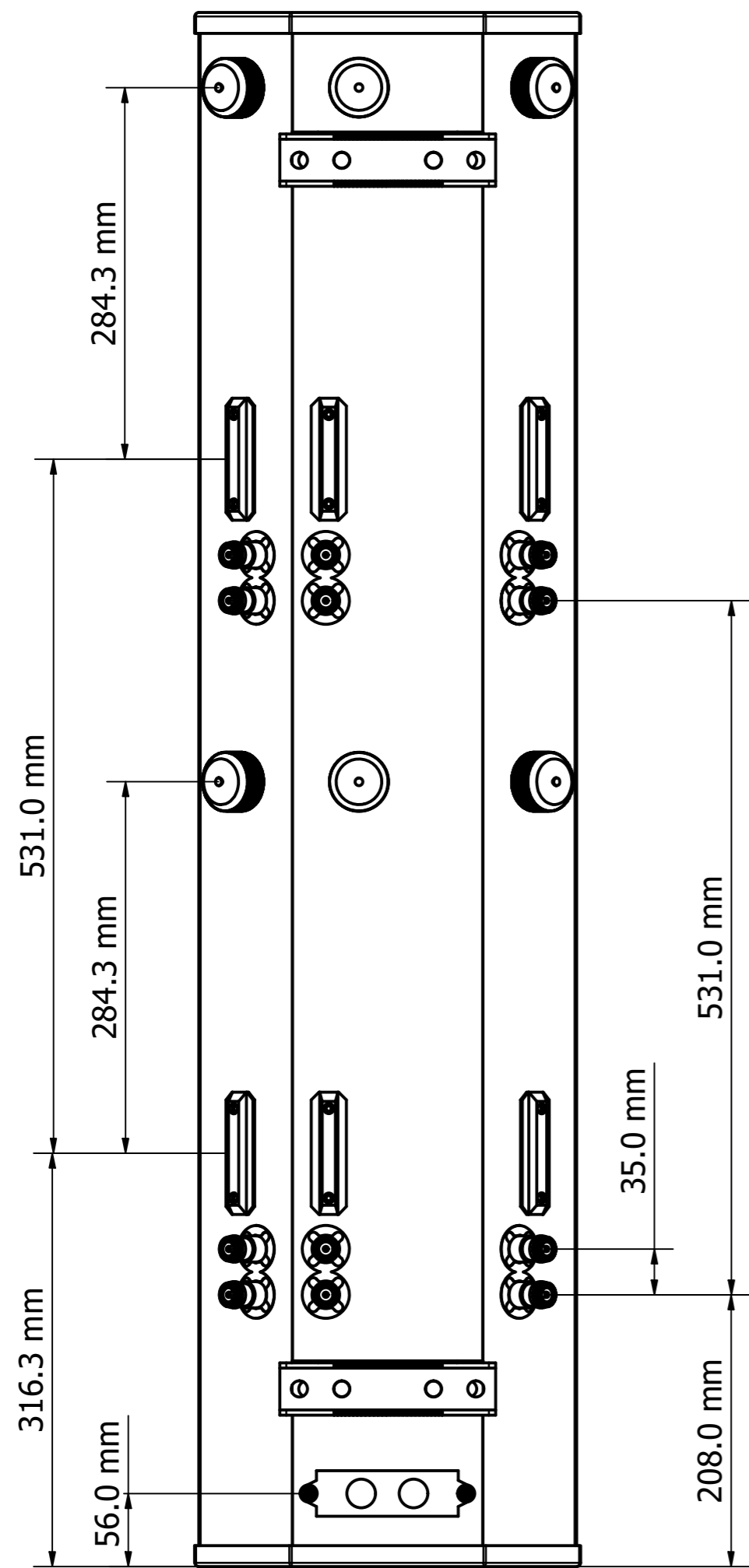
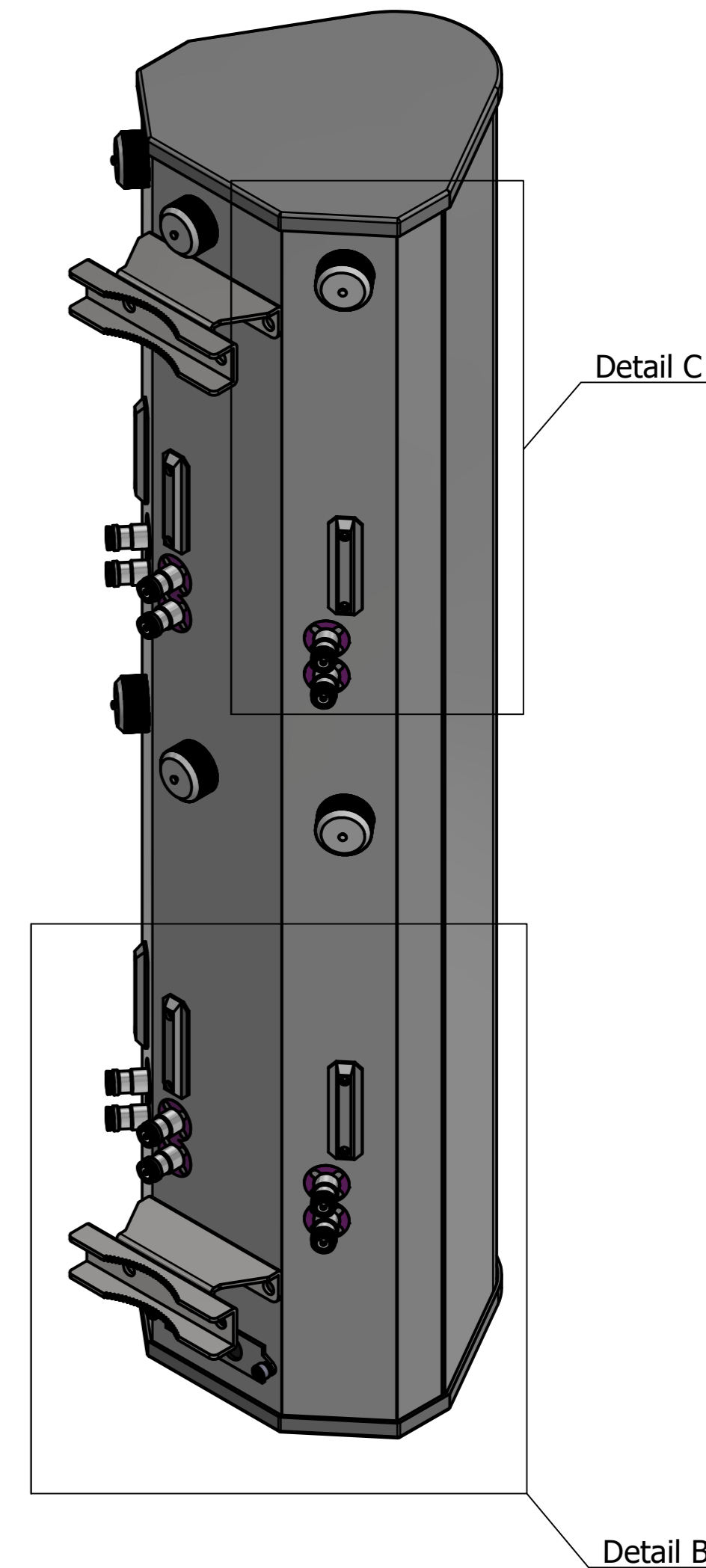


Designed by	Drawing by	Date	Approved by	Date	Quantity	Material
PAVEL	LAWRENCE	23/06/2021	PAVEL	23/06/2021		
MATSING LENS TECHNOLOGY ENABLED						MS-MBA-3-C4A3
						MS-MBA-3-C4A3 (mm)
					Revision 2.0	Sheet 1 / 3

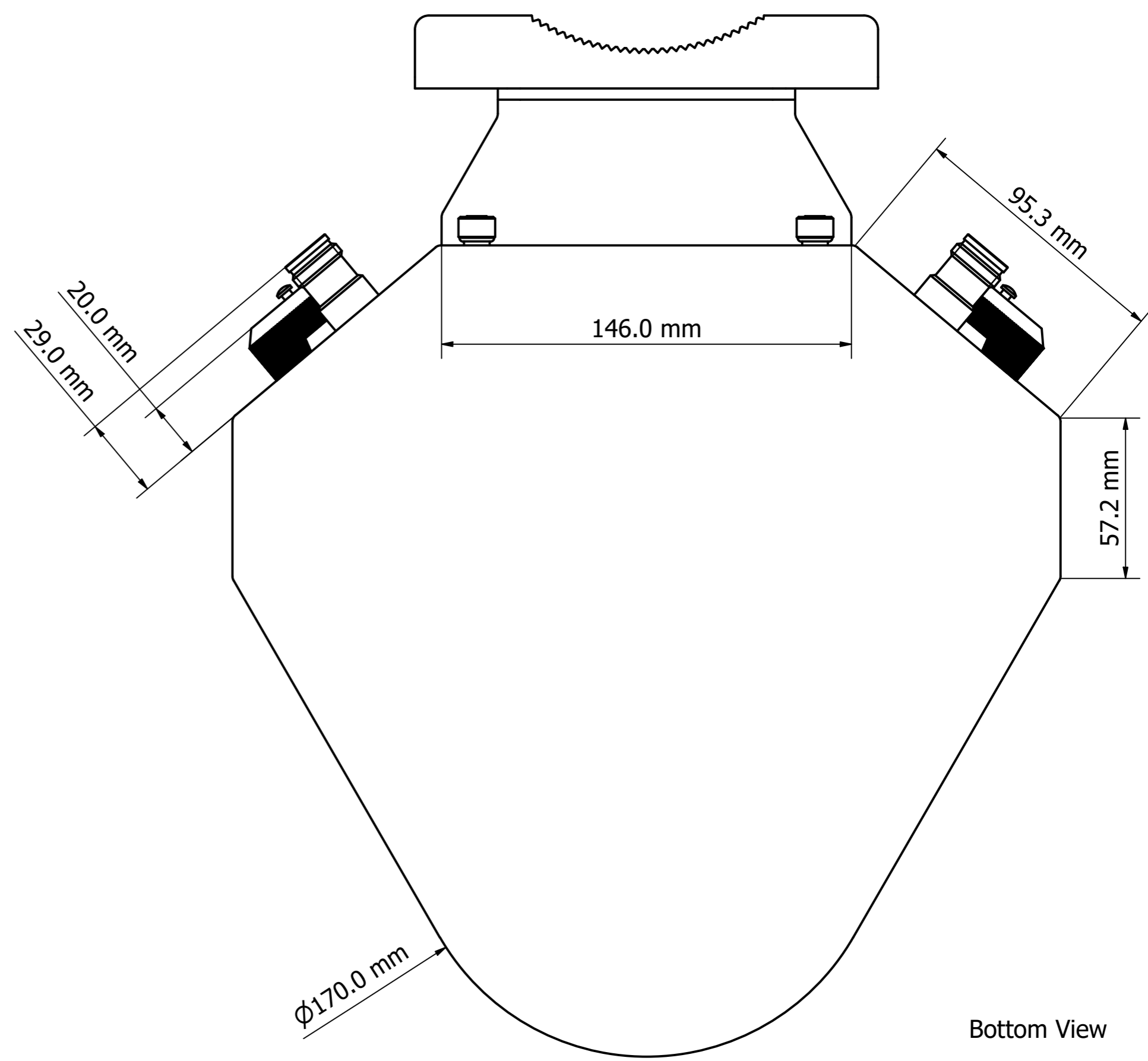
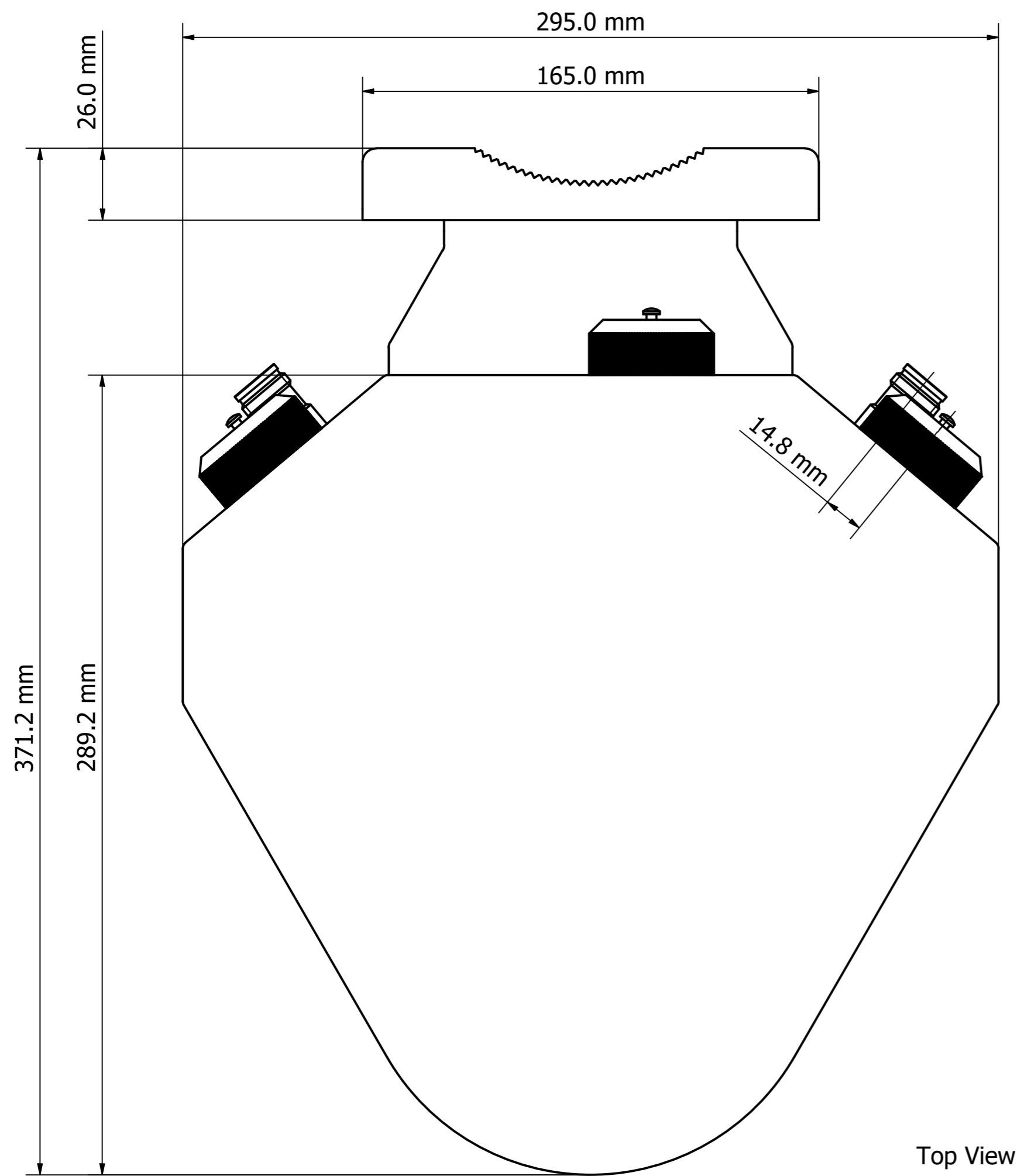


Detail C



Detail B

Designed by	Drawing by	Date	Approved by	Date	Quantity	Material
PAVEL	LAWRENCE	23/06/2021	PAVEL	23/06/2021		
MATSING						MS-MBA-3-C4A3
LENS TECHNOLOGY ENABLED						MS-MBA-3-C4A3 (mm)
					Revision	Sheet
					2.0	2 / 3



Designed by PAVEL	Drawing by LAWRENCE	Date 23/06/2021	Approved by PAVEL	Date 23/06/2021	Quantity	Material
MATSING LENS TECHNOLOGY ENABLED						MS-MBA-3-C4A3
MS-MBA-3-C4A3 (mm)					Revision 2.0	Sheet 3 / 3