

Wind Load

Antenna MS-MBA-2

Antenna Model Number

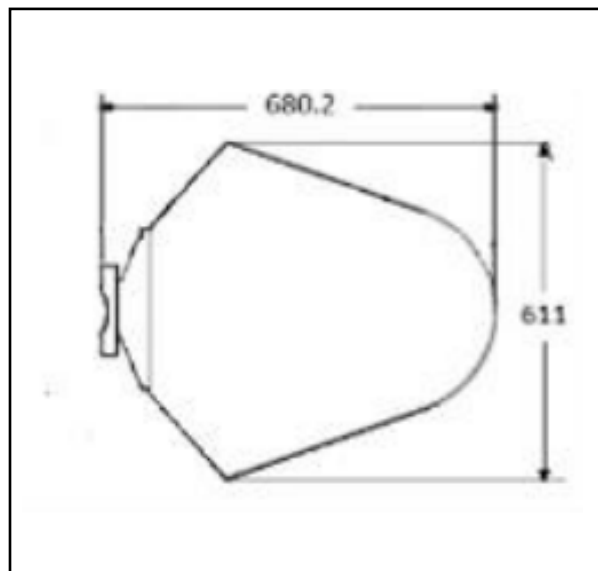
MS-MBA-2

Velocity [km/h]

150

Dimensions: [mm]

524.8



Results

	Frontal	Lateral	Rear
Profile Drag Coefficient	1.1	1.42	1.29
Antenna Correction Coefficient	0.6	0.6	0.6
Antenna Drag Coefficient	0.66	0.85	0.77
Wind Load [N/lbf]	225 / 50.6	323 / 72.6	264 / 59.4
Effective Drag Area (m ² /ft ²)	0.21 / 2.28	0.3 / 3.27	0.25 / 2.67