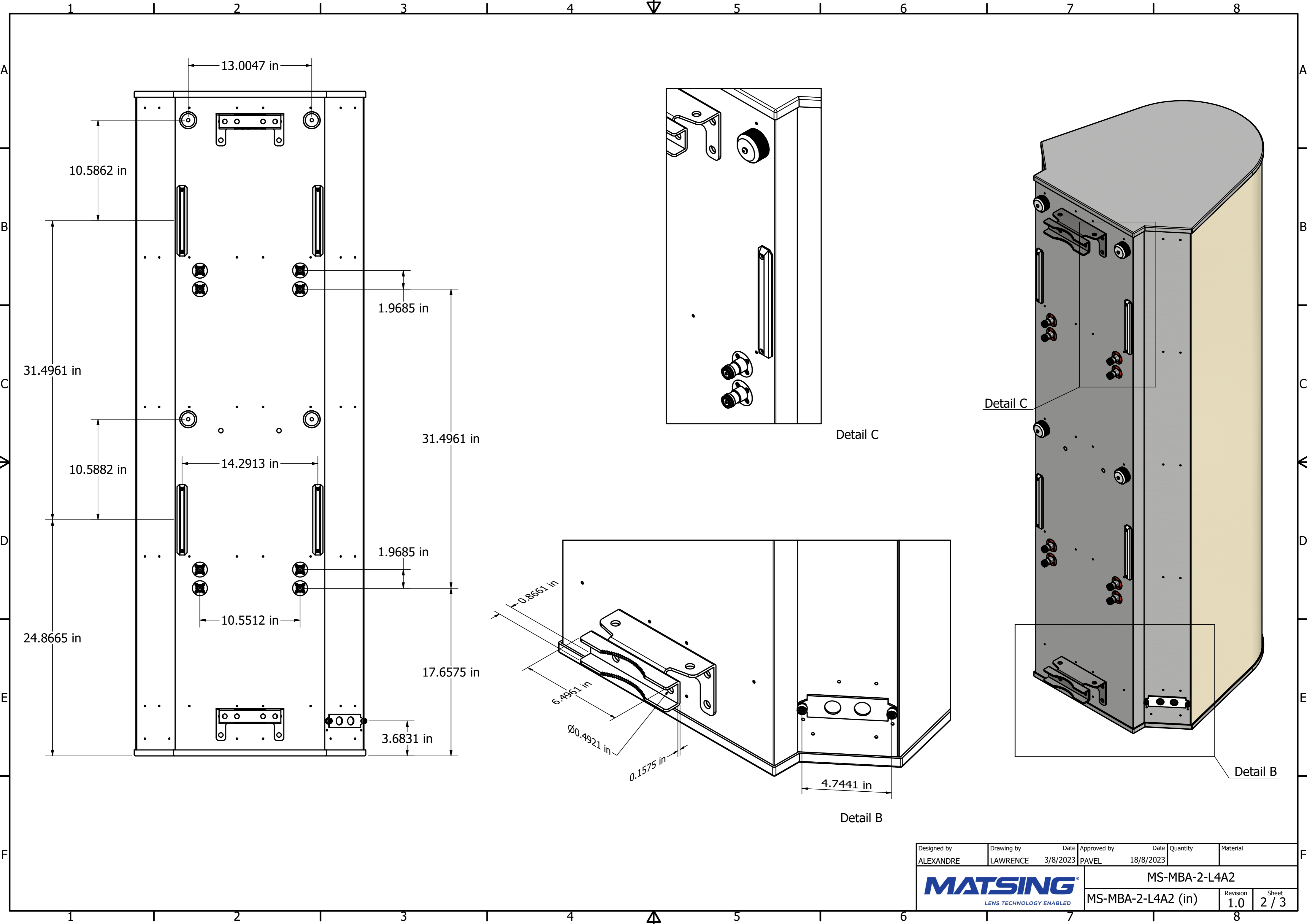
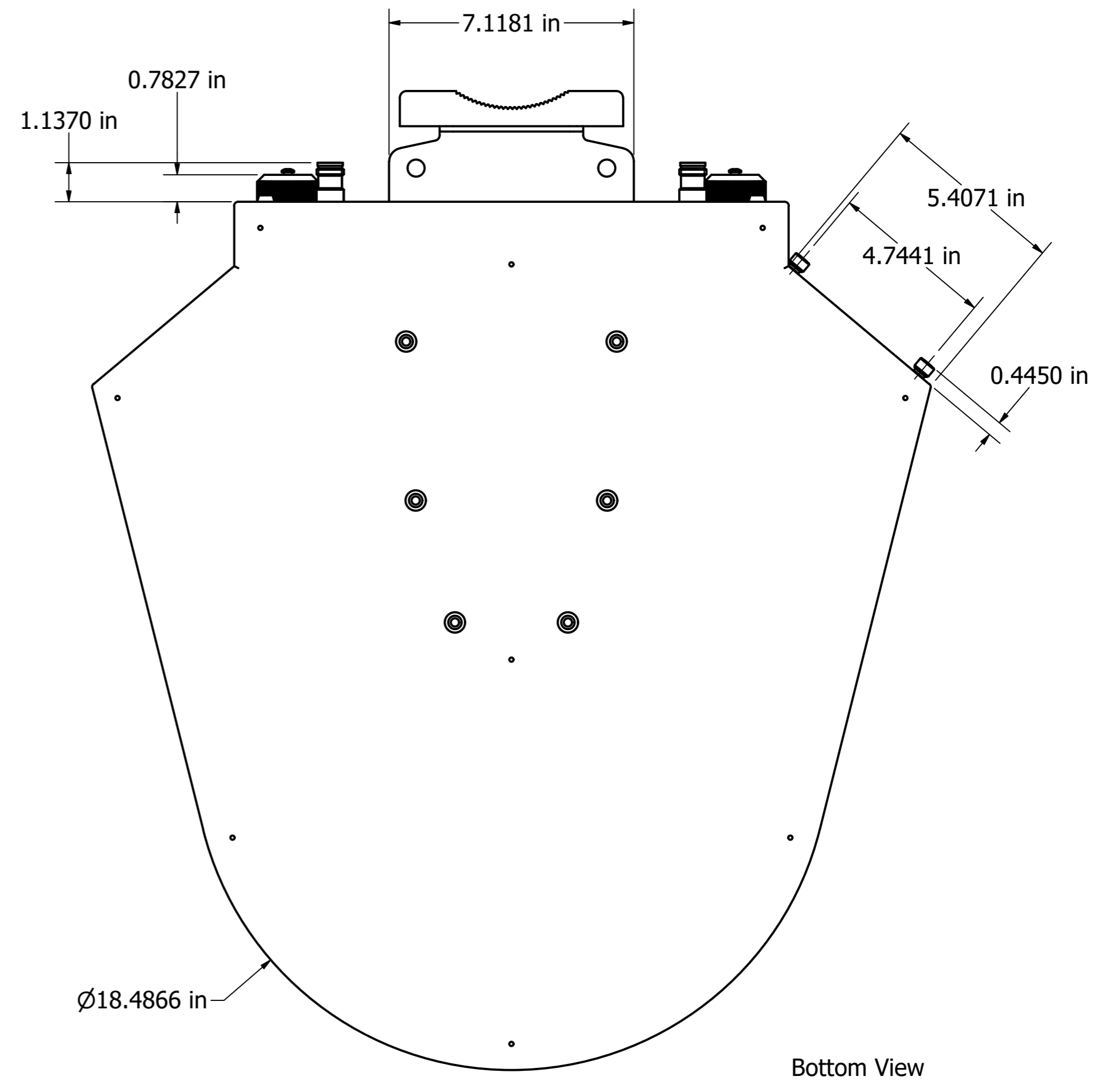
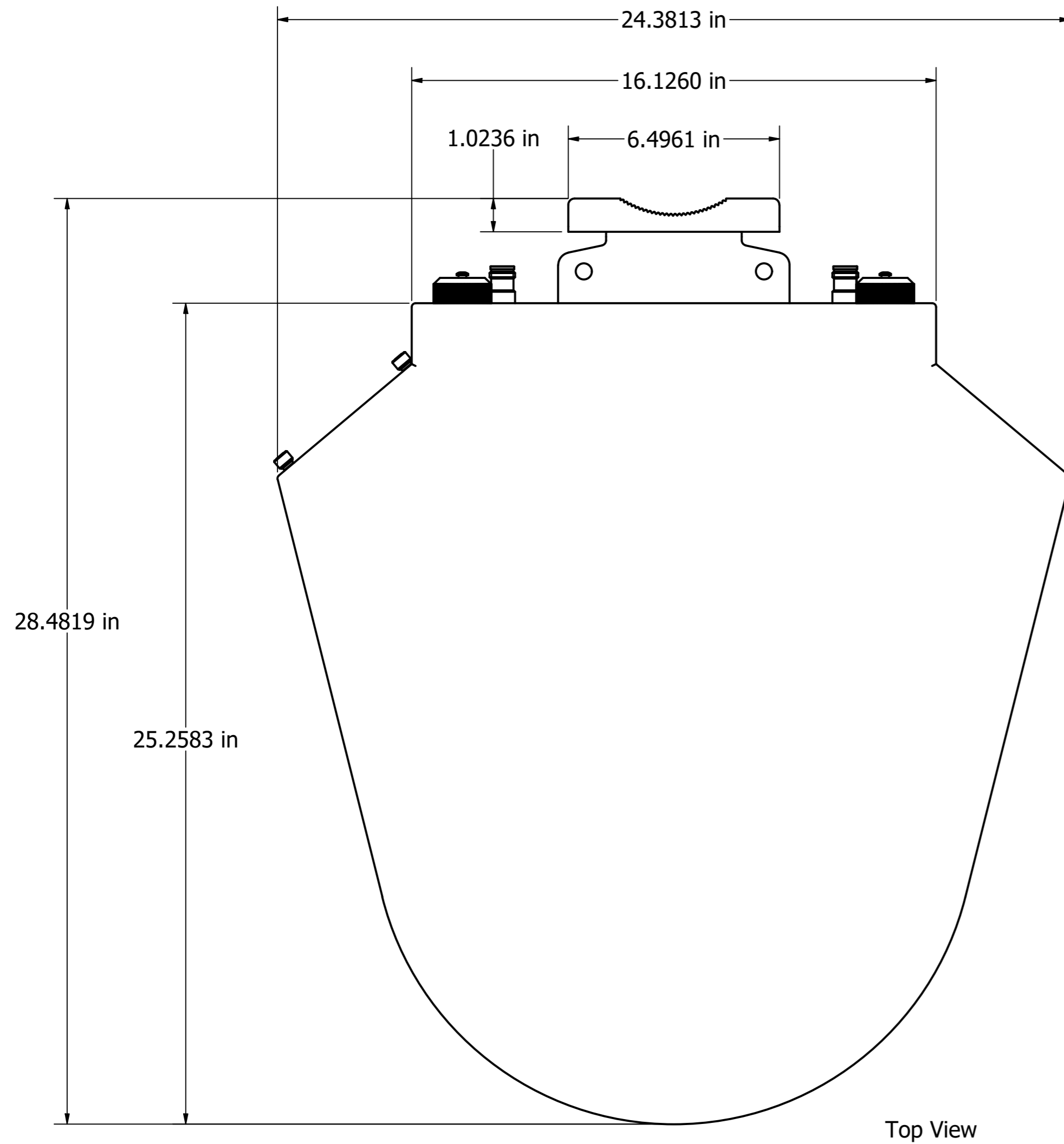


Designed by	Drawing by	Date	Approved by	Date	Quantity	Material	
ALEXANDRE	LAWRENCE	3/8/2023	PAVEL	18/8/2023			
MATSING LENS TECHNOLOGY ENABLED							
MS-MBA-2-L4A2						Revision	Sheet
MS-MBA-2-L4A2 (in)						1.0	1 / 3



Designed by	Drawing by	Date	Approved by	Date	Quantity	Material	
ALEXANDRE	LAWRENCE	3/8/2023	PAVEL	18/8/2023			
MATSING LENS TECHNOLOGY ENABLED							
MS-MBA-2-L4A2						Revision	Sheet
MS-MBA-2-L4A2 (in)						1.0	2 / 3



Designed by ALEXANDRE	Drawing by LAWRENCE	Date 3/8/2023	Approved by PAVEL	Date 18/8/2023	Quantity	Material
MATSING LENS TECHNOLOGY ENABLED						MS-MBA-2-L4A2
MS-MBA-2-L4A2 (in)					Revision 1.0	Sheet 3 / 3