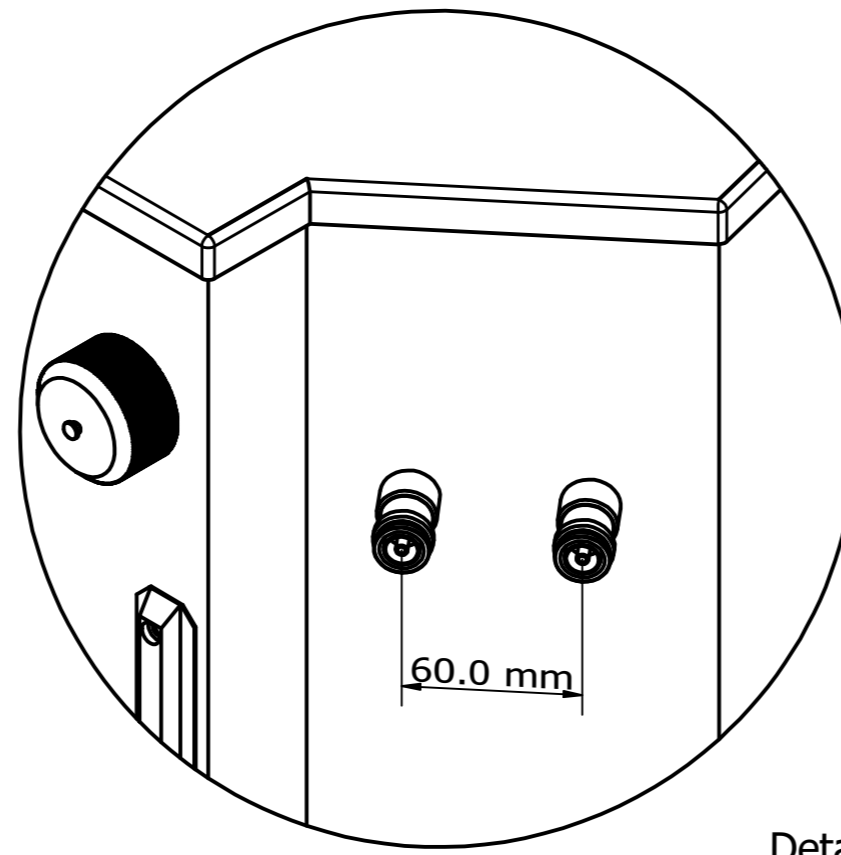
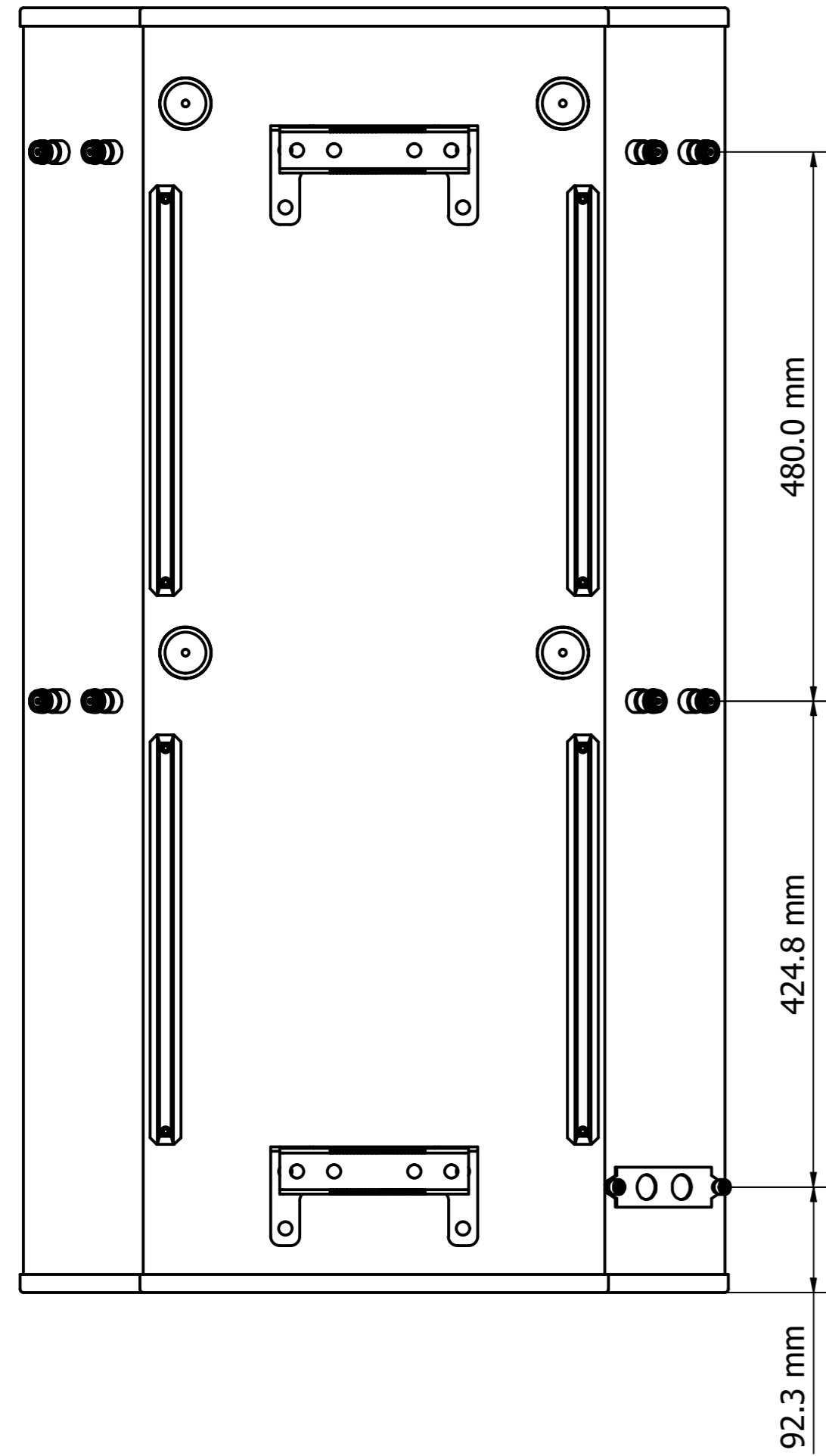
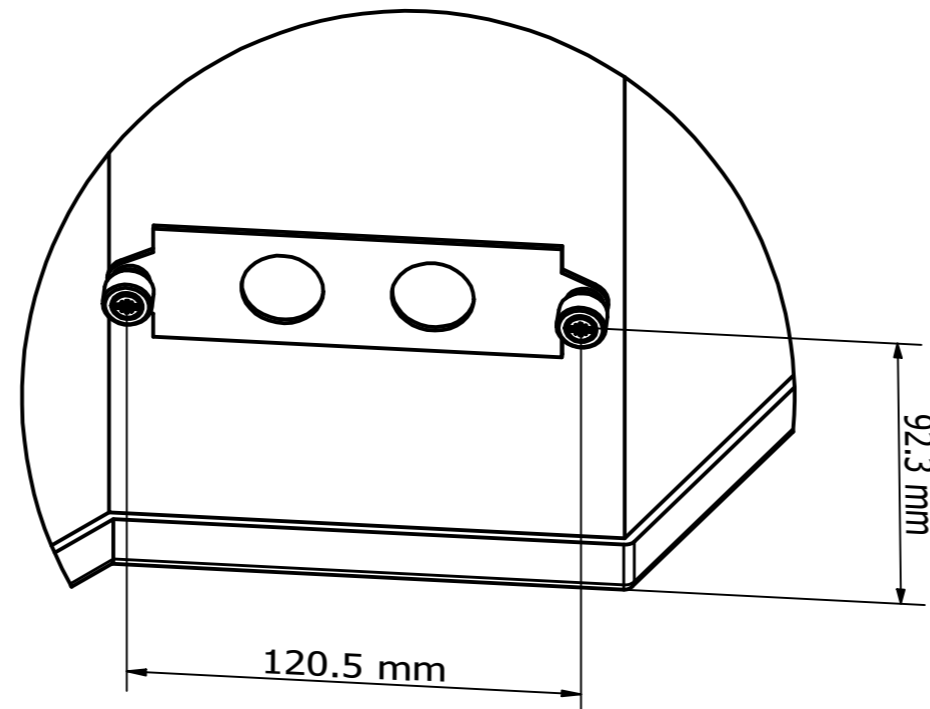


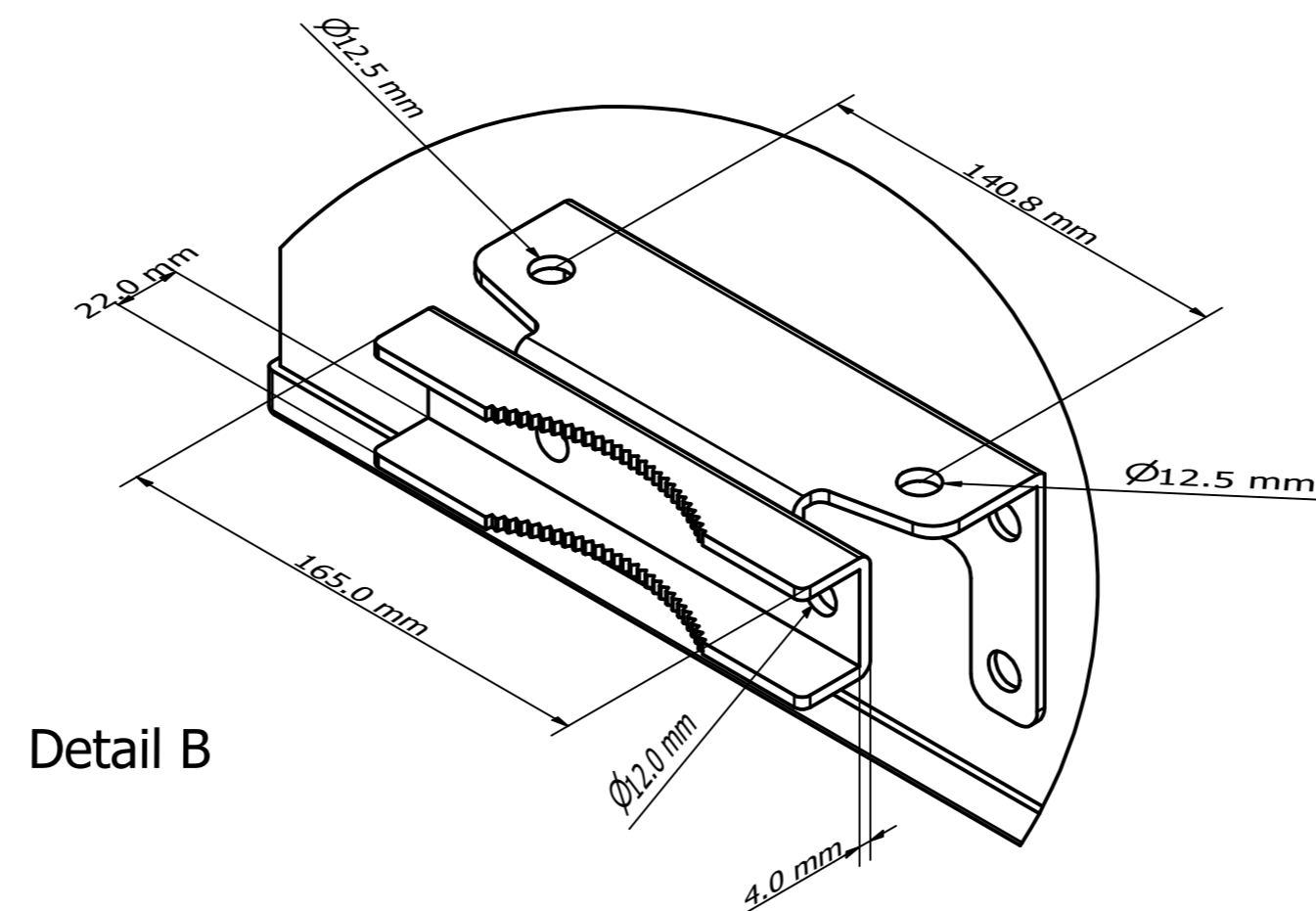
Designed by PAVEL	Drawing by LAWRENCE	Date 25/3/2020	Approved by PAVEL	Date 26/3/2020	Quantity	Material	
MATSING LENS TECHNOLOGY ENABLED						MS-MBA-2-L4	
MS-MBA-2-L4 (mm)						Revision 1.0	Sheet 1 / 3



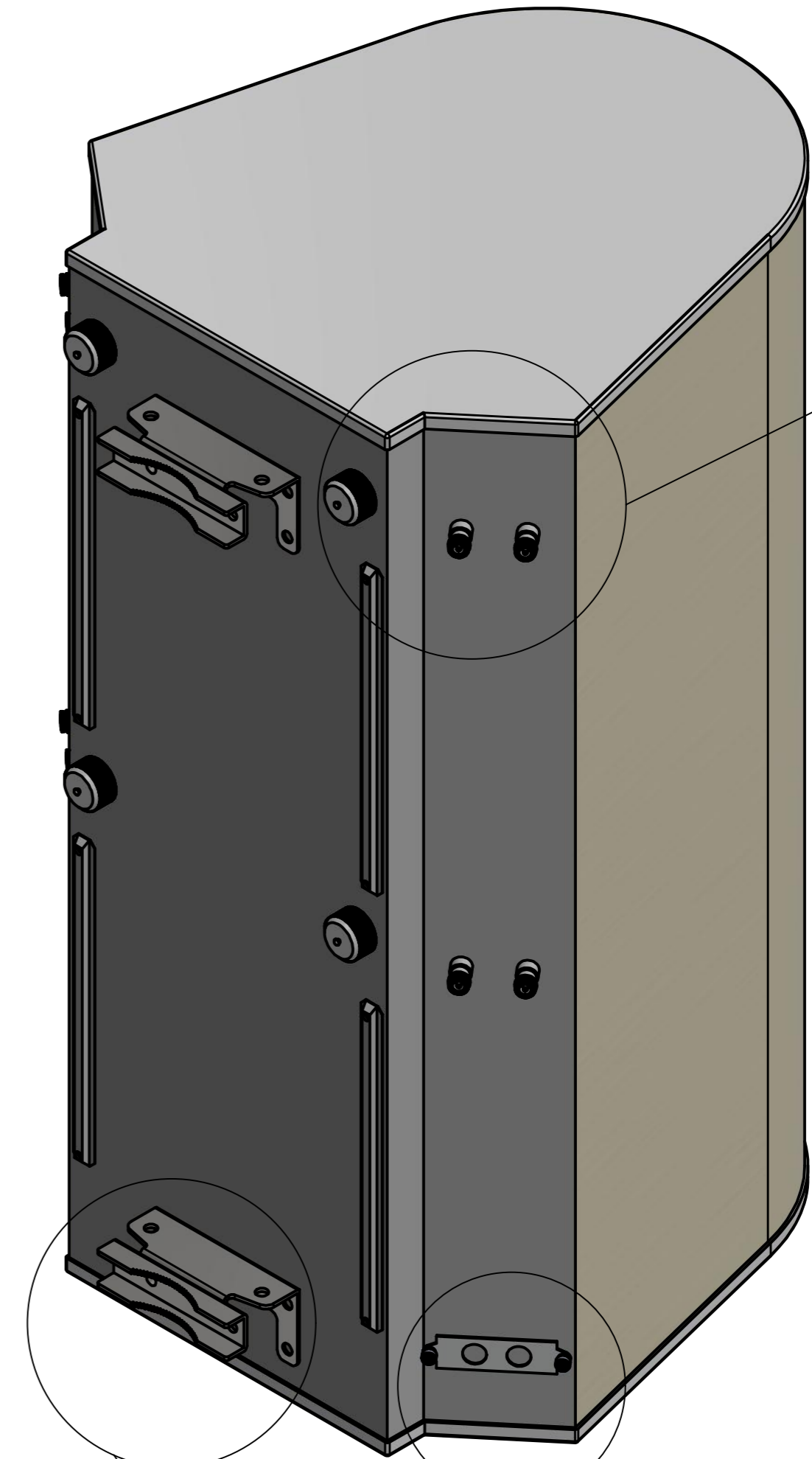
Detail D



Detail C



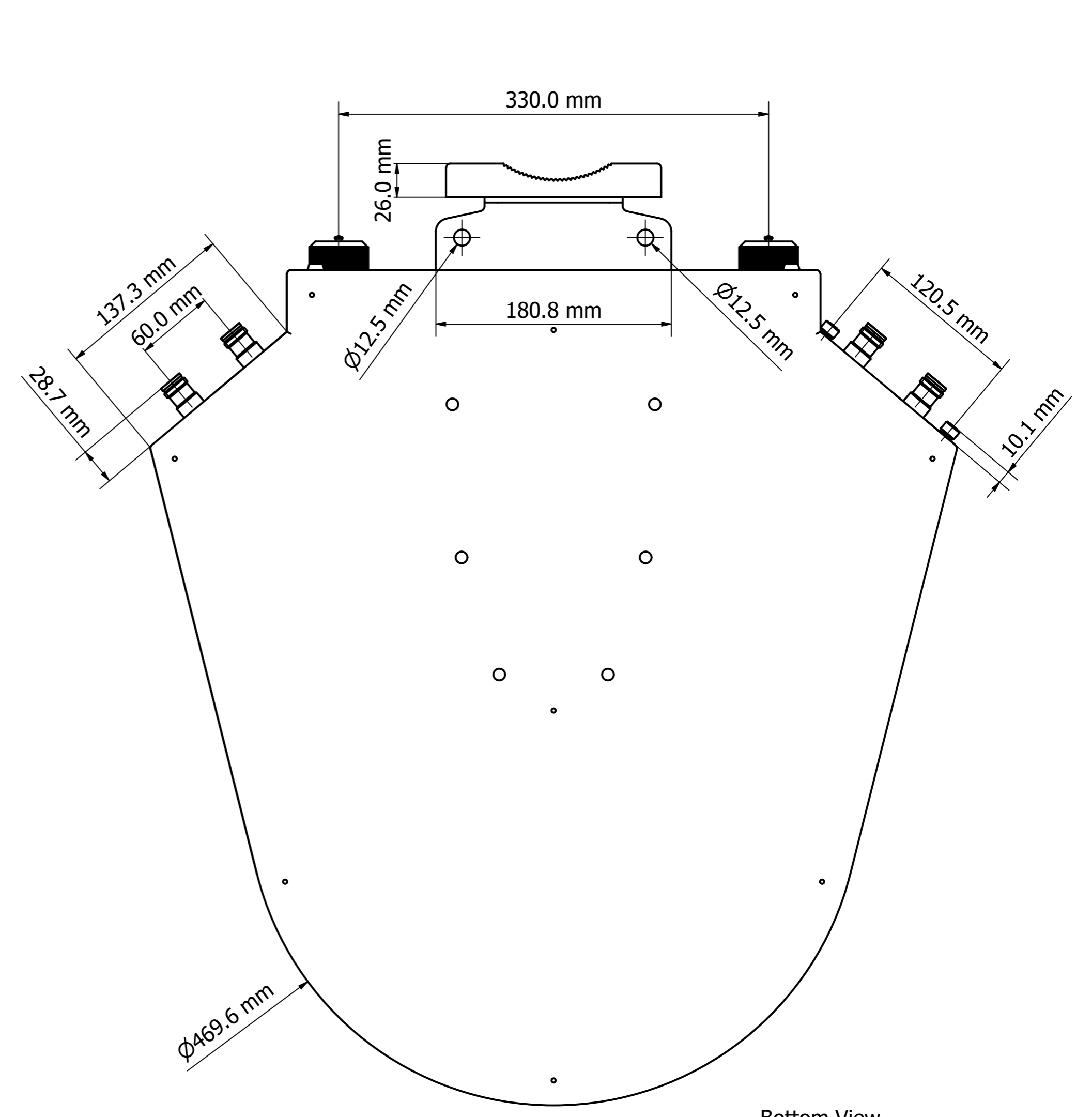
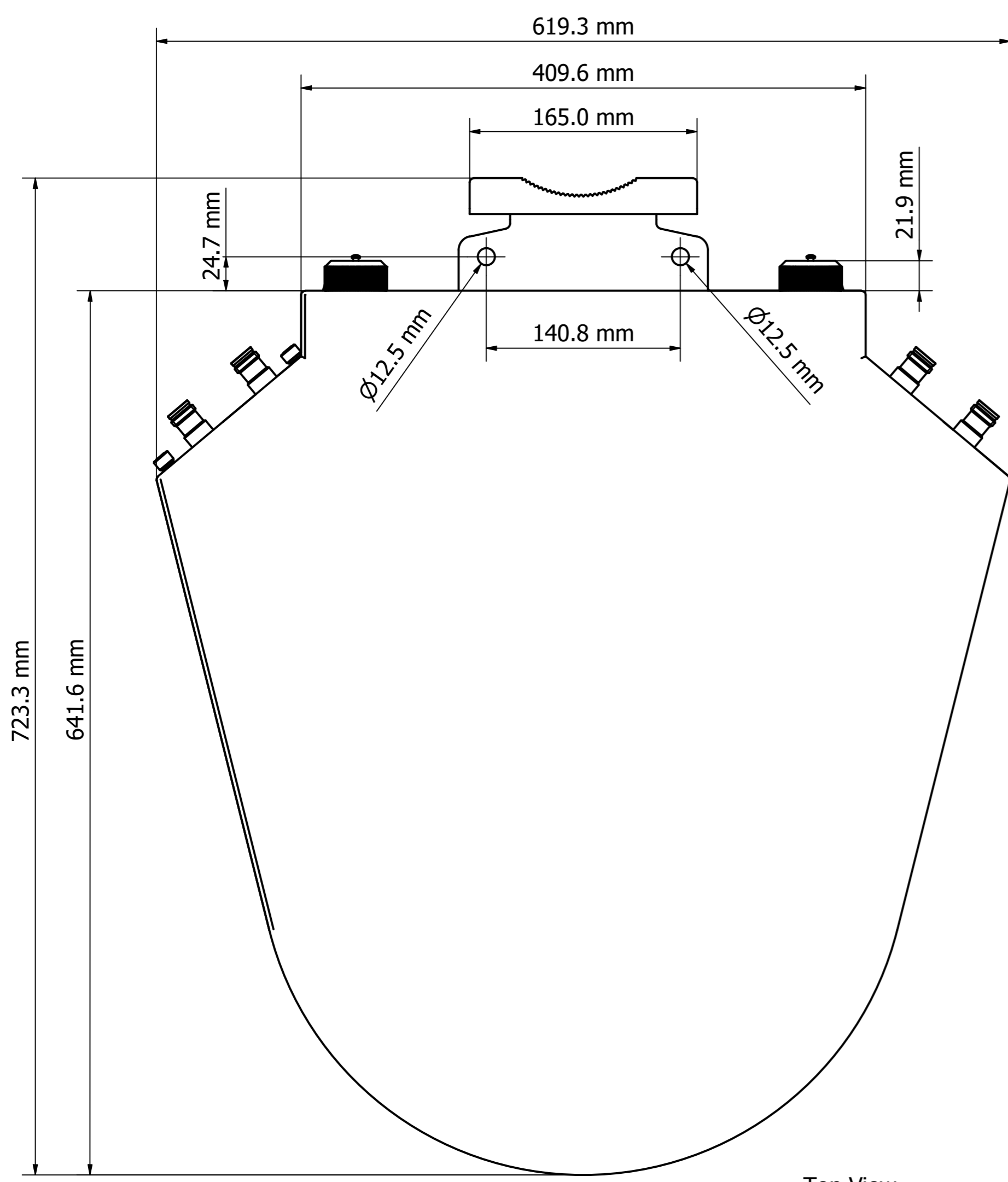
Detail B



Detail B

Detail C

Designed by PAVEL	Drawing by LAWRENCE	Date 25/3/2020	Approved by PAVEL	Date 26/3/2020	Quantity	Material
MATSING LENS TECHNOLOGY ENABLED						MS-MBA-2-L4
					MS-MBA-2-L4 (mm)	Revision 1.0
					Sheet 2 / 3	



Designed by PAVEL	Drawing by LAWRENCE	Date 25/3/2020	Approved by PAVEL	Date 26/3/2020	Quantity	Material
MATSING LENS TECHNOLOGY ENABLED						MS-MBA-2-L4
MS-MBA-2-L4 (mm)					Revision 1.0	Sheet 3 / 3