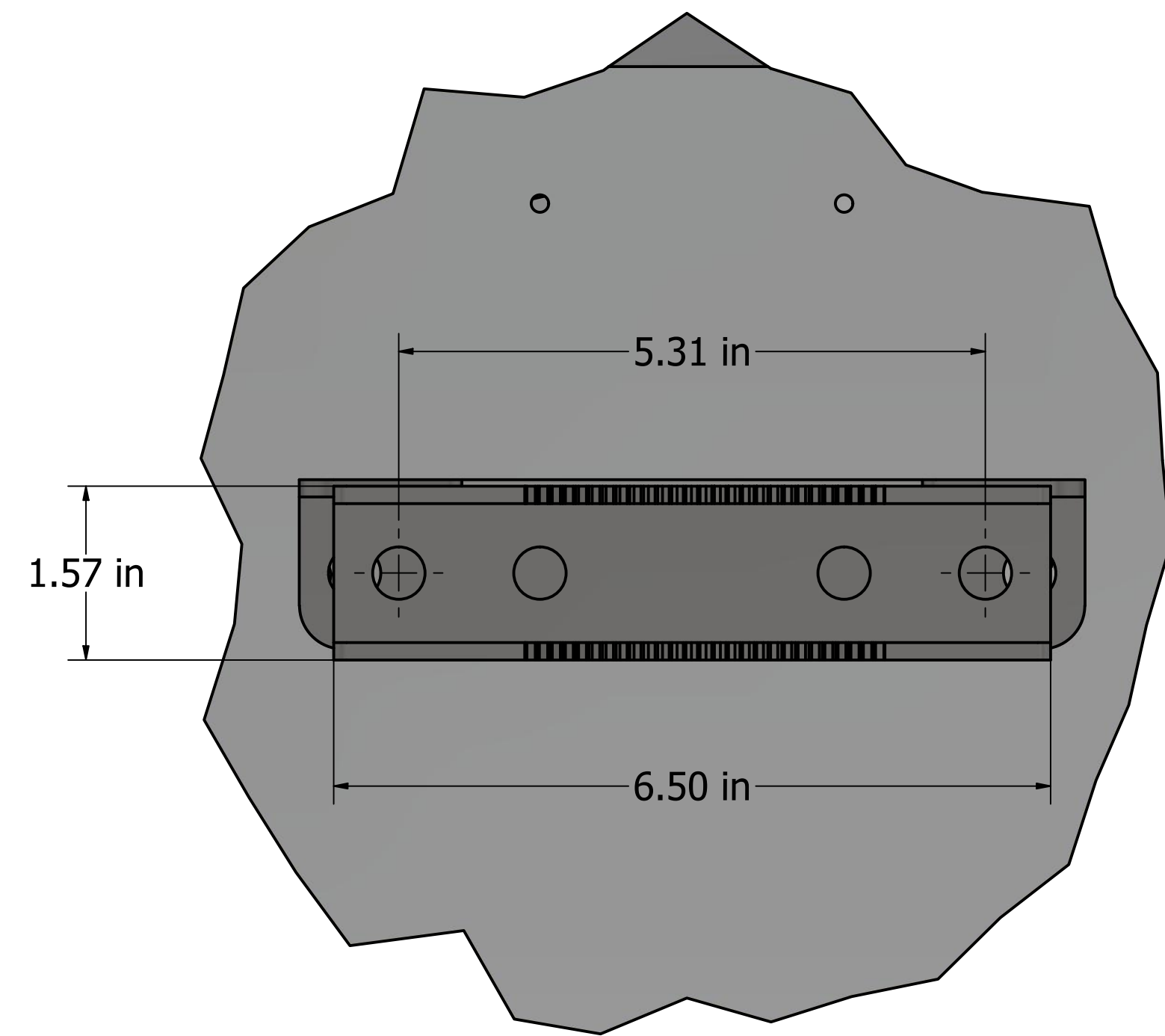
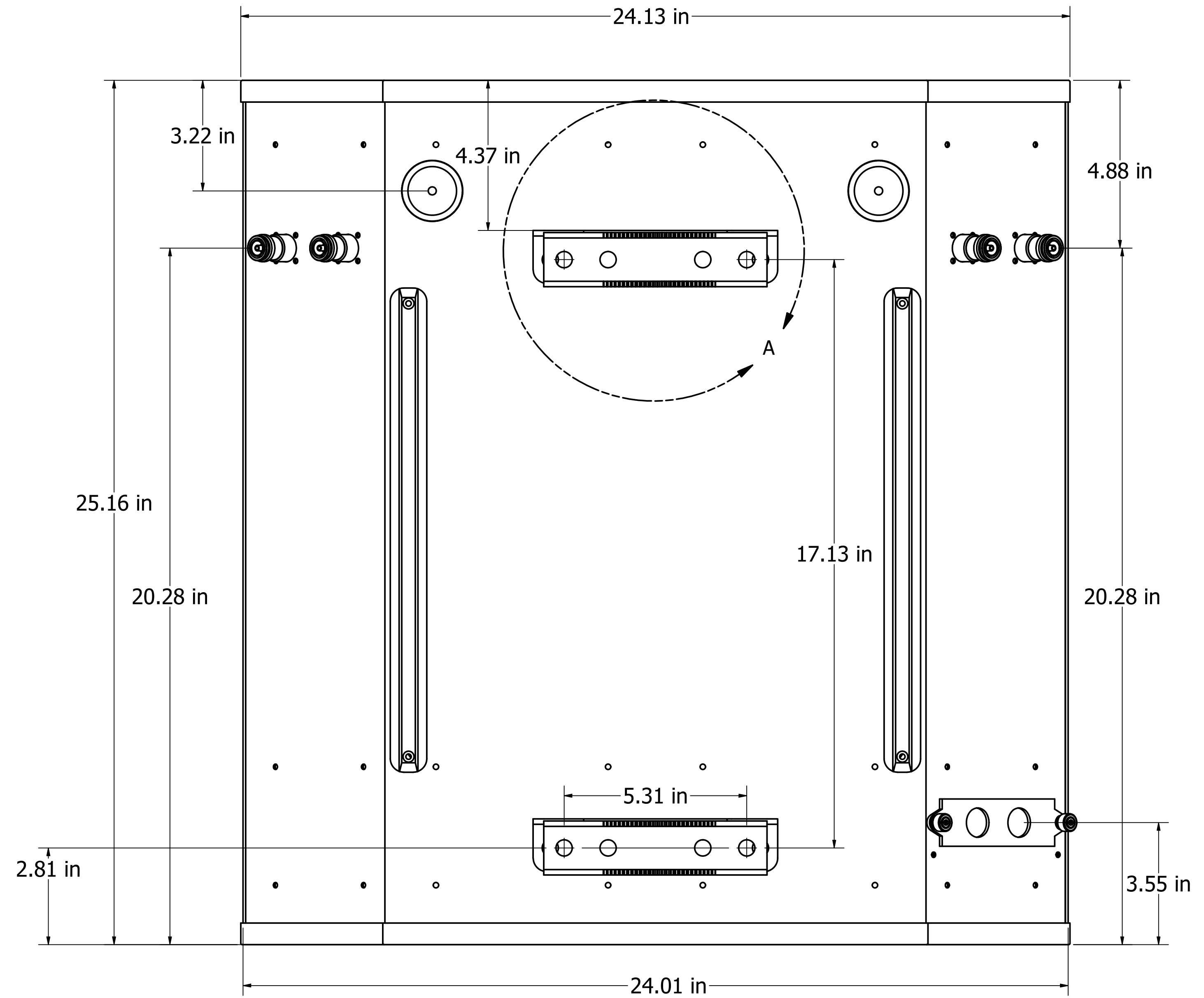
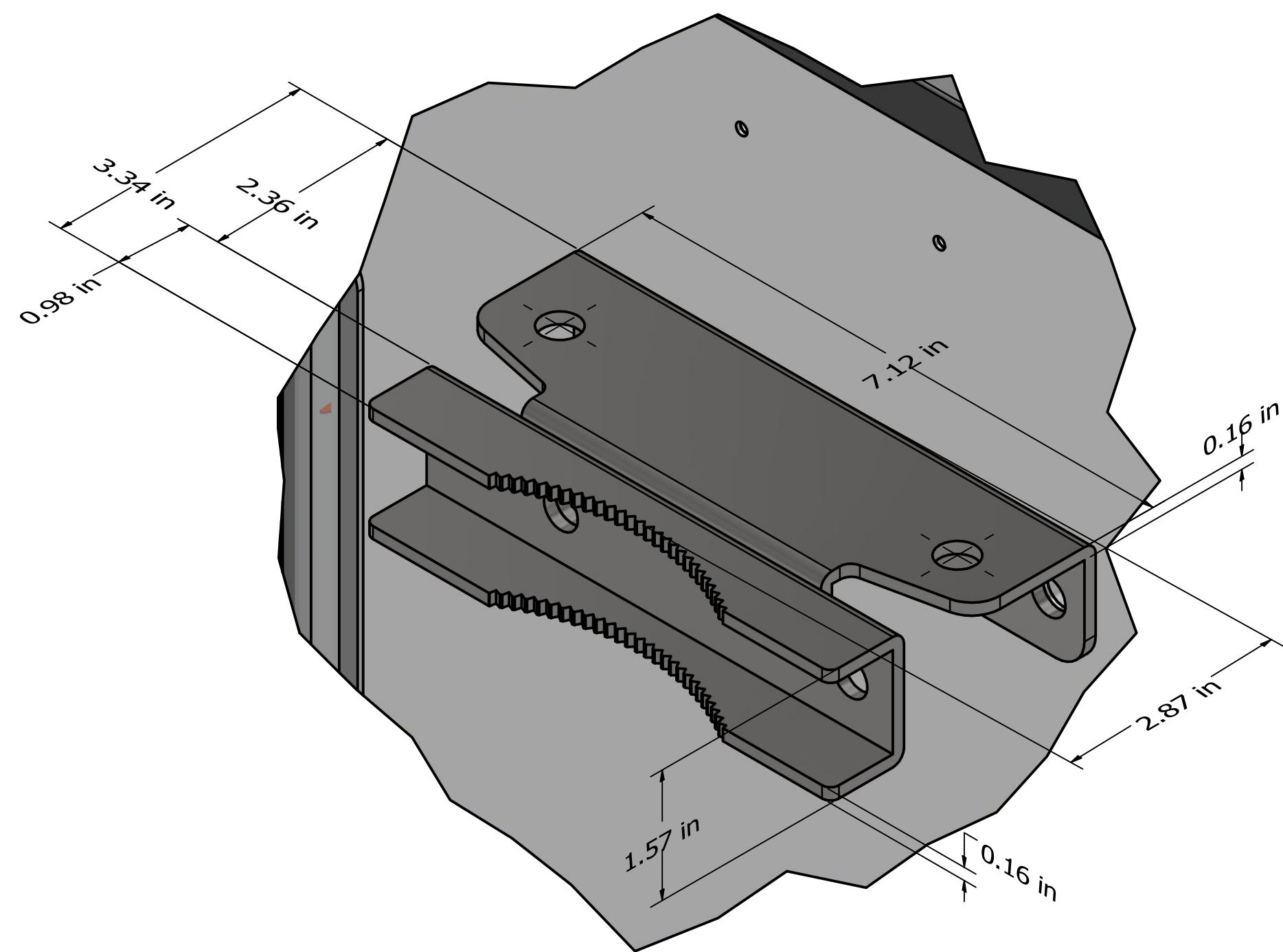


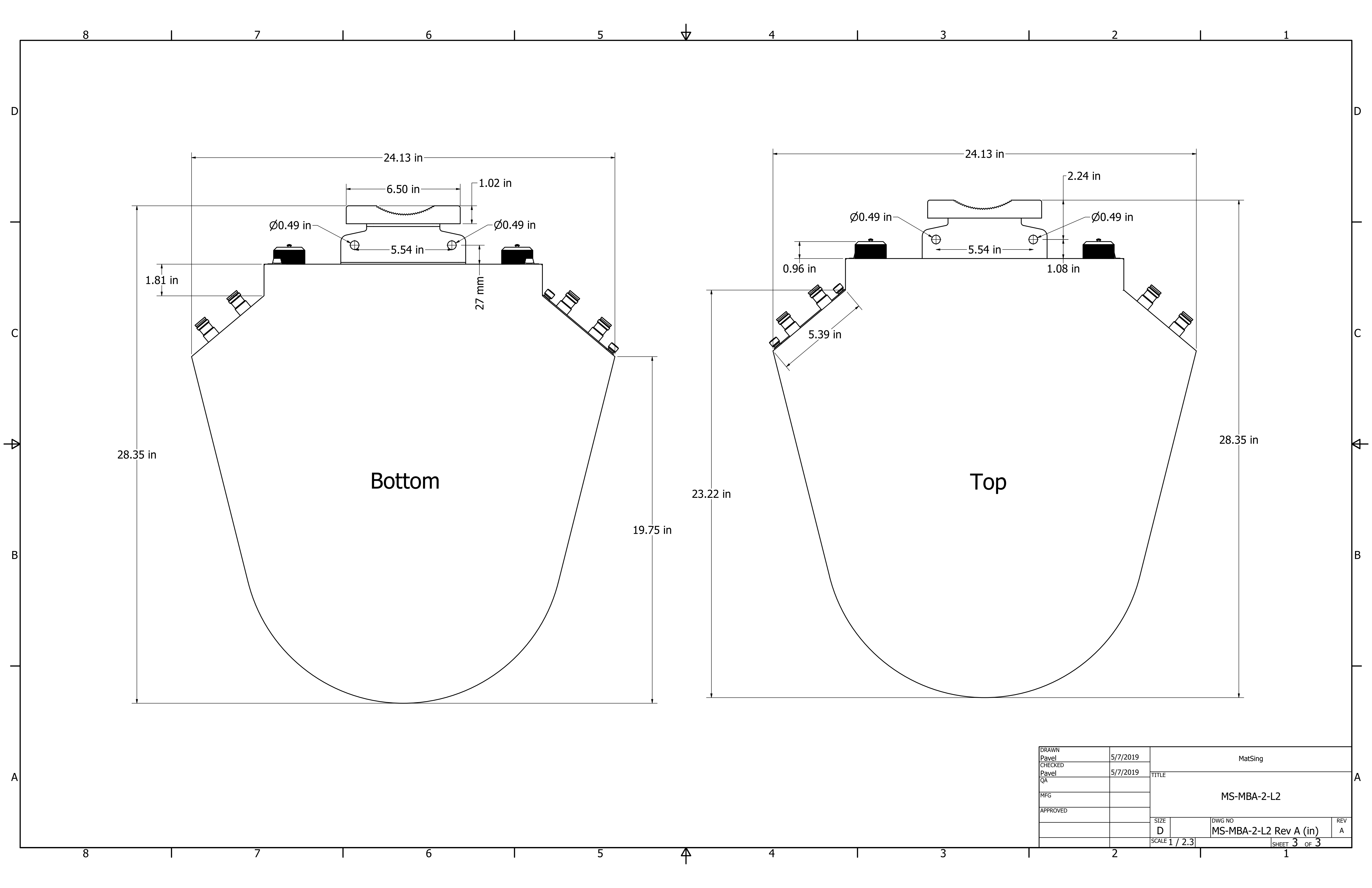
DRAWN	5/7/2019	MatSing		
CHECKED		TITLE		
Pavel	5/7/2019	MS-MBA-2-L2		
QA				
MFG		SIZE	DWG NO	REV
APPROVED		D	MS-MBA-2-L2 Rev A (in)	A
		SCALE	1 / 4.5	SHEET 1 OF 3



DETAIL A
SCALE 1:1.3



DRAWN	5/7/2019	MatSing		
CHECKED		TITLE		
Pavel	5/7/2019	MS-MBA-2-L2		
QA				
MFG		SIZE	DWG NO	REV
APPROVED		D	MS-MBA-2-L2 Rev A (in)	A
		SCALE 1 / 2.3	SHEET 2 OF 3	



8 7 6 5 4 3 2 1

D

D

24.13 in

24.13 in

6.50 in

1.02 in

2.24 in

Ø0.49 in

Ø0.49 in

Ø0.49 in

Ø0.49 in

5.54 in

27 mm

5.54 in

5.54 in

1.81 in

0.96 in

1.08 in

C

C

1.81 in

0.96 in

1.08 in

5.39 in

28.35 in

28.35 in

Bottom

Top

B

B

19.75 in

23.22 in

A

A

8 7 6 5 4 3 2 1

DRAWN	Pavel	5/7/2019	MatSing		
CHECKED	Pavel	5/7/2019	TITLE		
QA			MS-MBA-2-L2		
MFG					
APPROVED			SIZE	DWG NO	REV
			D	MS-MBA-2-L2 Rev A (in)	A
			SCALE	SHEET 3 OF 3	
			1 / 2.3		