
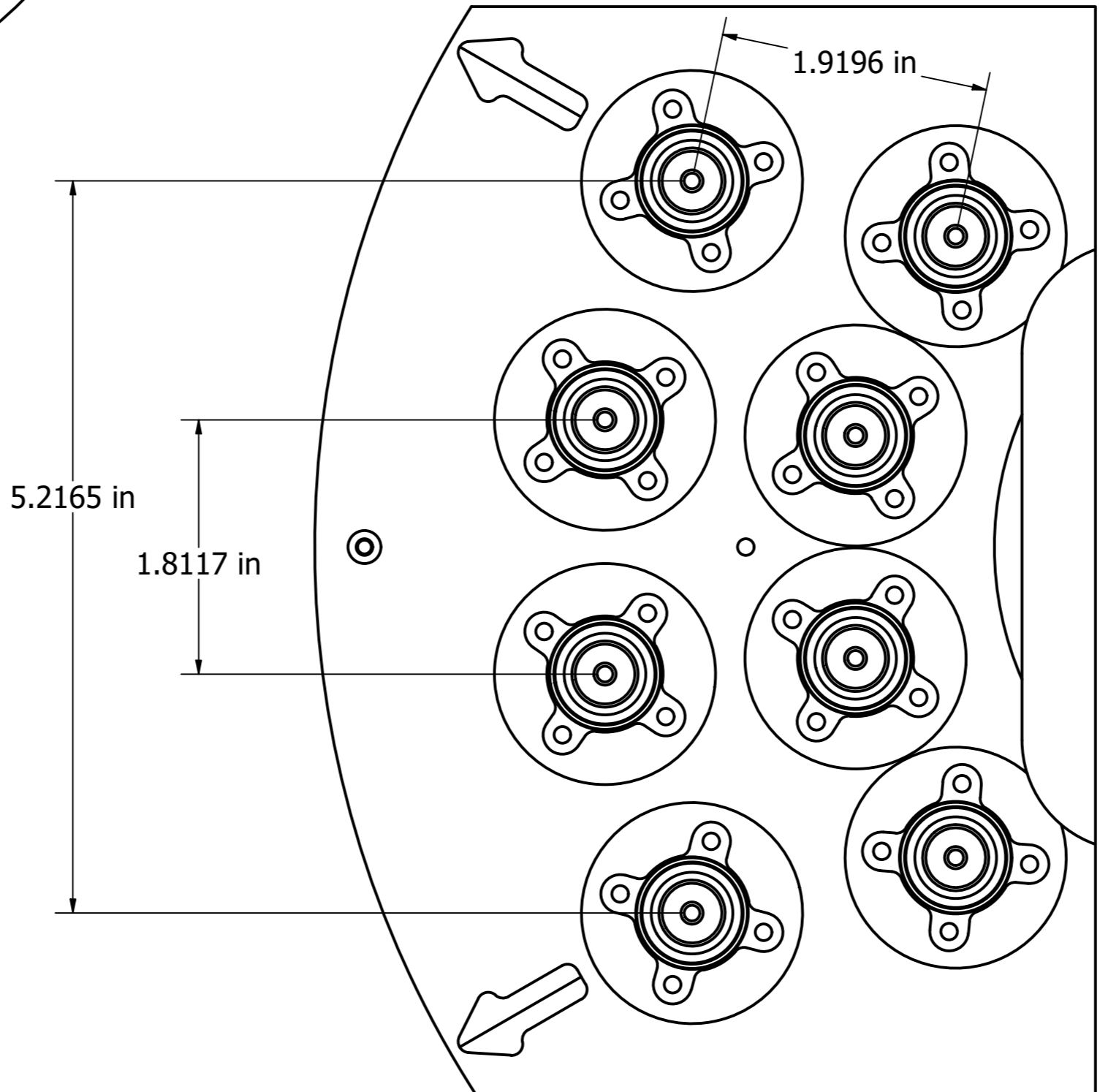
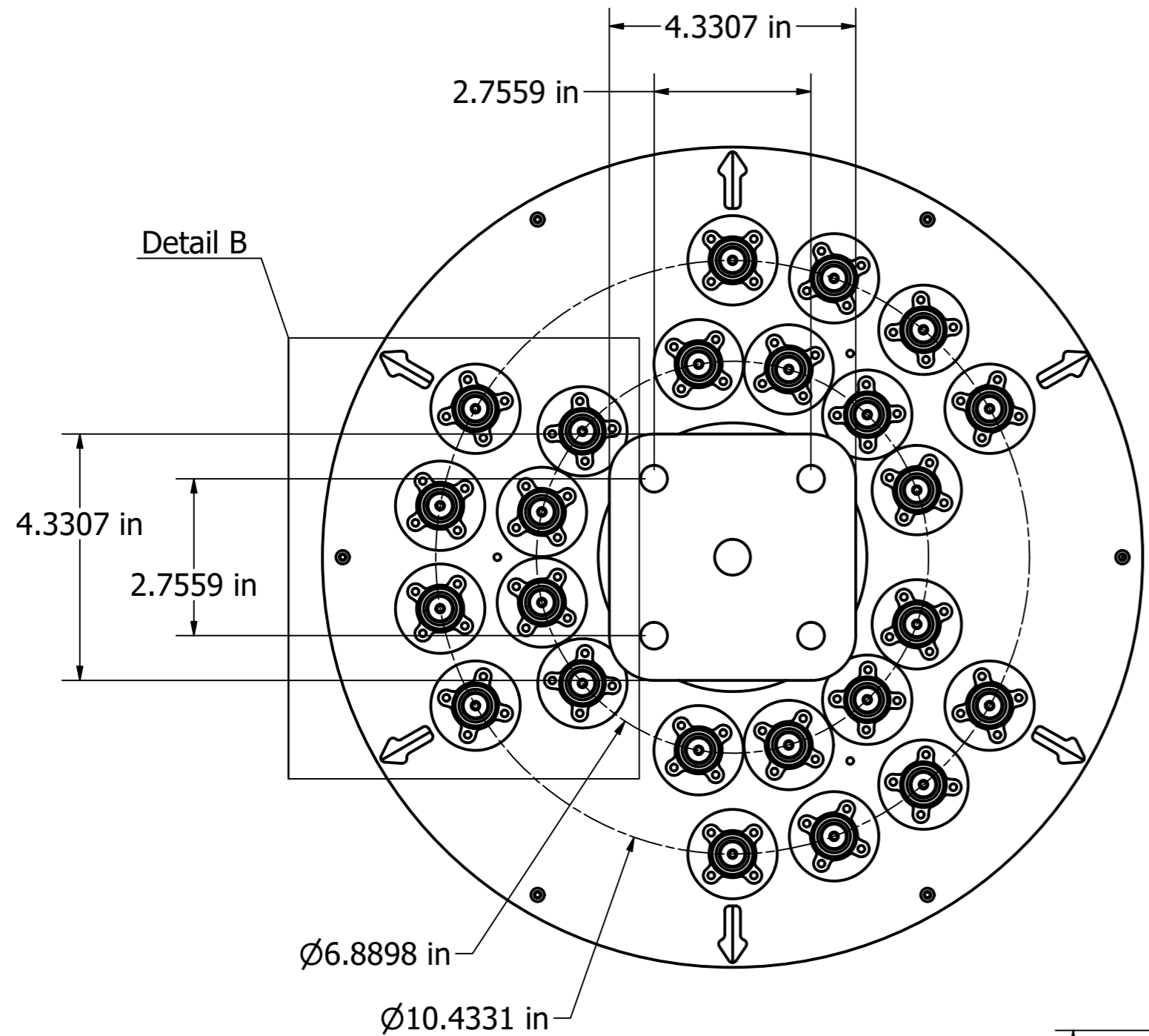
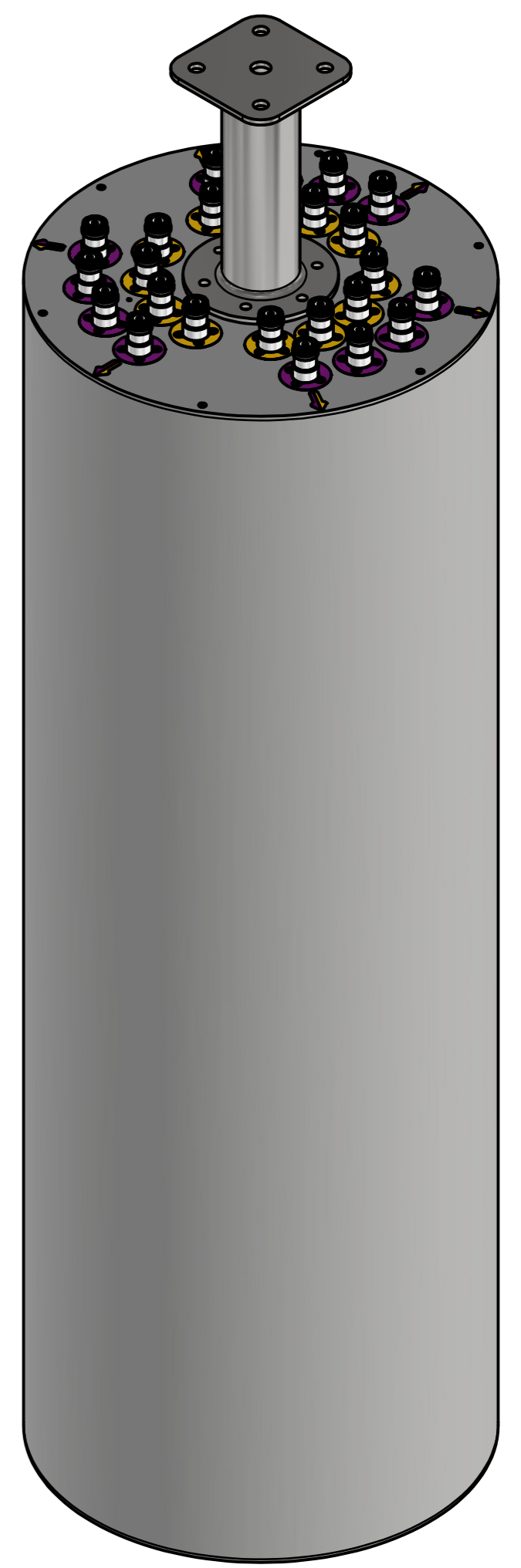


Designed by VIGNESH	Drawing by LAWRENCE	Date 11/4/2024	Approved by PAVEL	Date 24/4/2024	Quantity	Material
 MATSING <small>LENS TECHNOLOGY ENABLED</small>						MS-LP-6.6-F2-H2
						MS-LP-6.6-F2-H2 (in)



Detail B



Designed by VIGNESH	Drawing by LAWRENCE	Date 11/4/2024	Approved by PAVEL	Date 24/4/2024	Quantity	Material
MATSING LENS TECHNOLOGY ENABLED						MS-LP-6.6-F2-H2
					MS-LP-6.6-F2-H2 (in)	Revision 1.0
						Sheet 2 / 2