
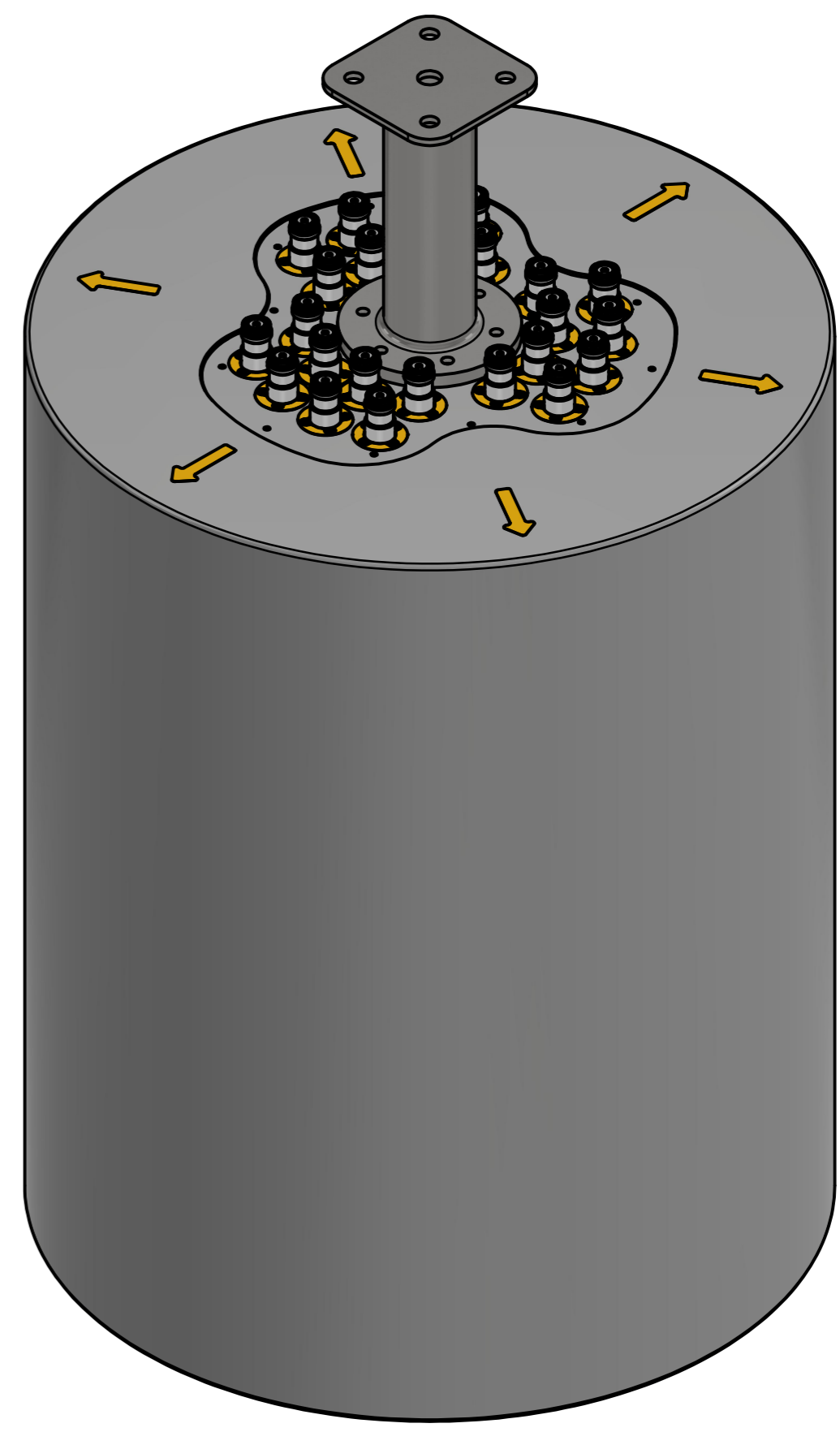
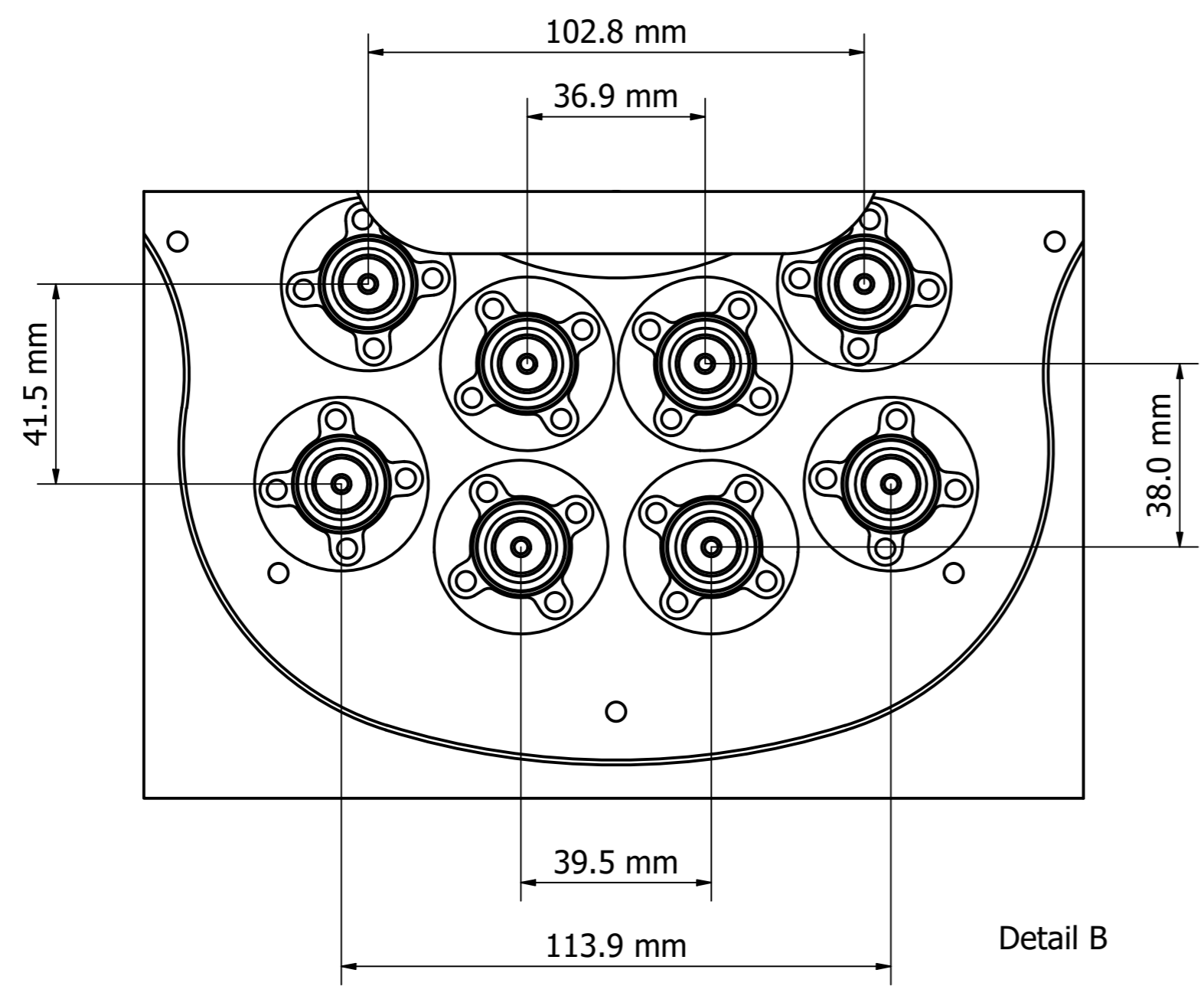
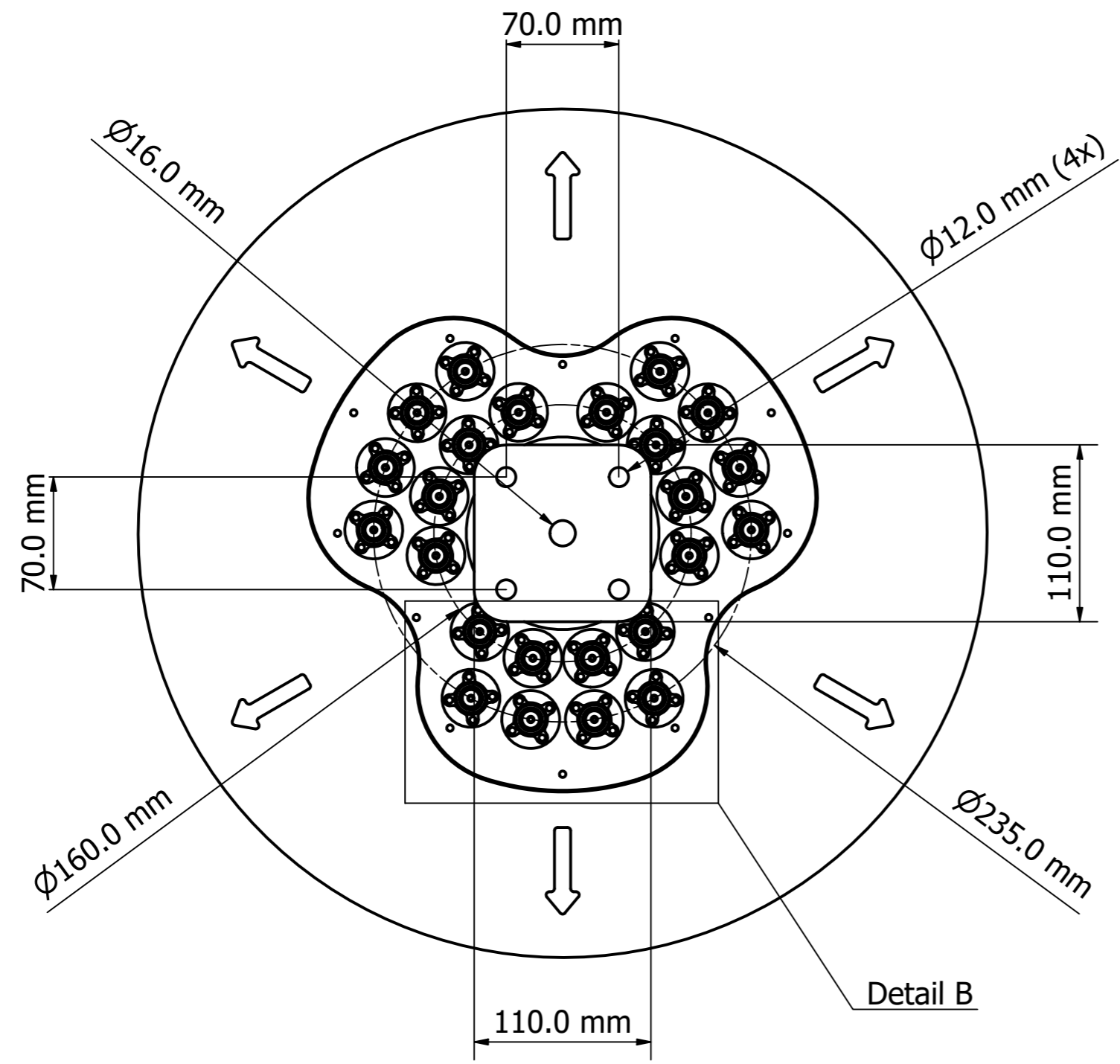



Designed by PAVEL	Drawing by LAWRENCE	Date 19/08/2021	Approved by PAVEL	Date 19/08/2021	Quantity	Material
						MS-LP-6-H4
						MS-LP-6-H4 (mm)



Designed by	Drawing by	Date	Approved by	Date	Quantity	Material
PAVEL	LAWRENCE	19/08/2021	PAVEL	19/08/2021		
						MS-LP-6-H4
						MS-LP-6-H4 (mm)