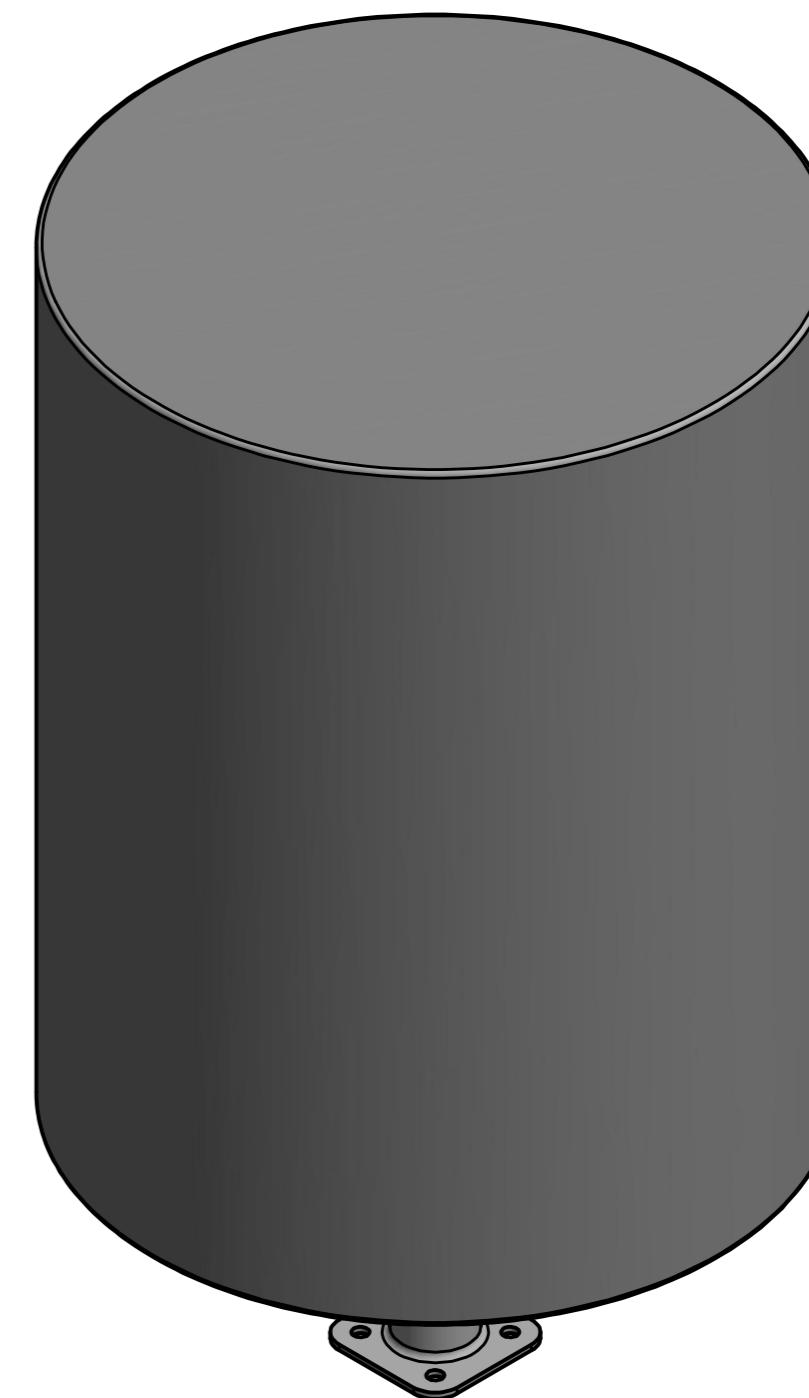
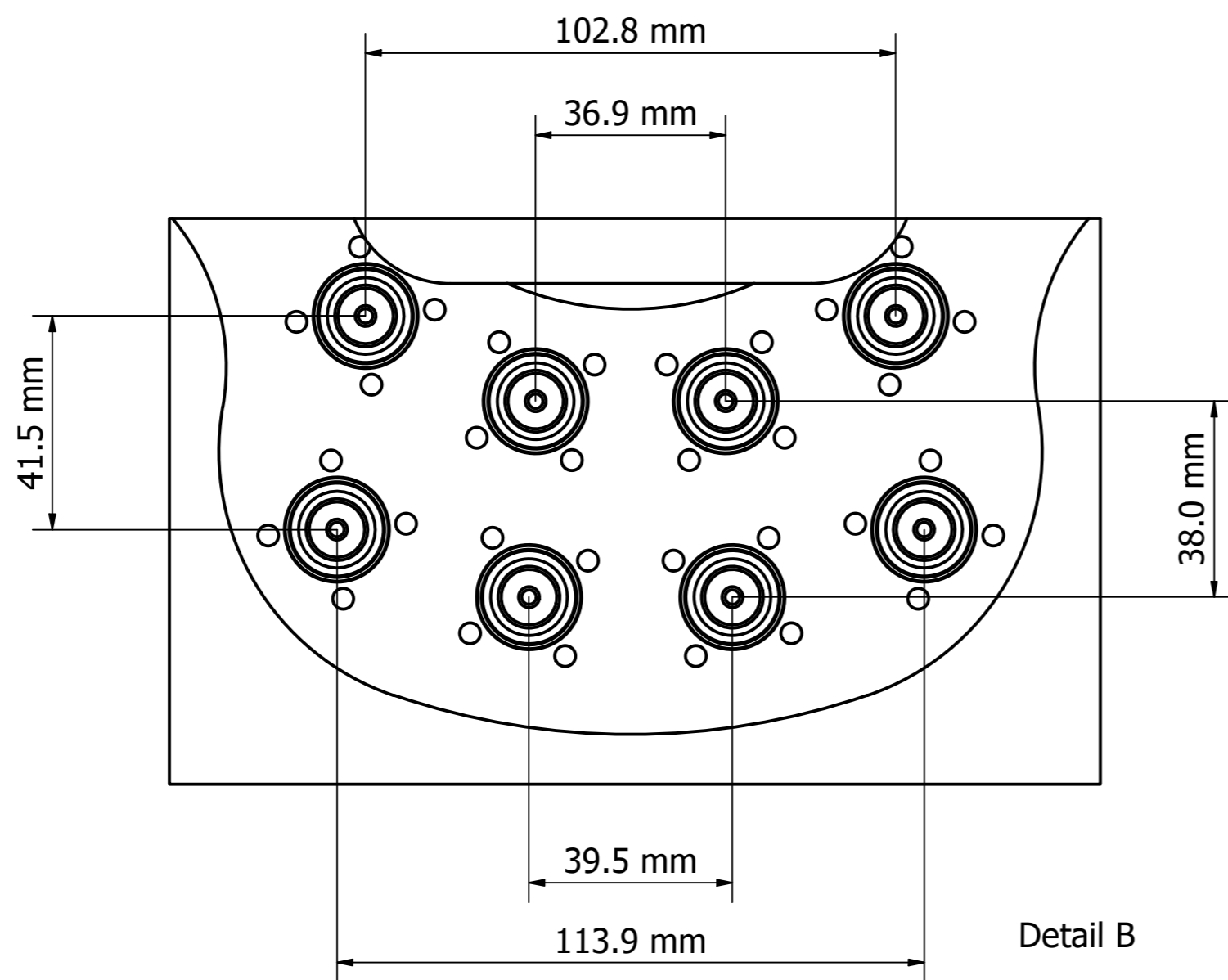
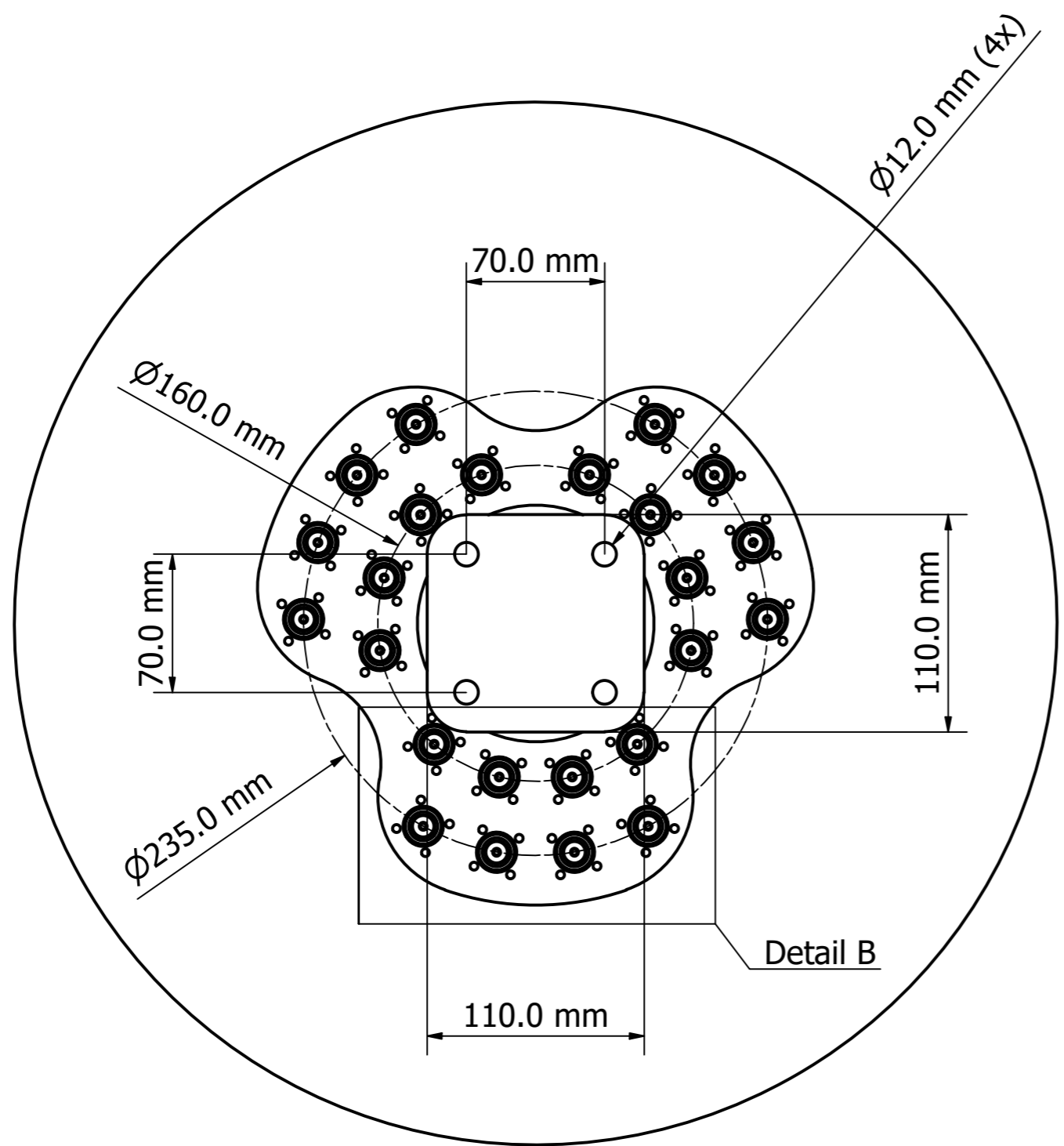


Designed by PAVEL	Drawing by LAWRENCE	Date 25/11/2020	Approved by PAVEL	Date 27/11/2020	Quantity	Material
			MS-LP-6-H4-30i			
			MSLP6H430i (mm)	Revision 1.0	Sheet 1 / 2	



Designed by	Drawing by	Date	Approved by	Date	Quantity	Material	
PAVEL	LAWRENCE	25/11/2020	PAVEL	27/11/2020			
<b>MATSING</b> LENS TECHNOLOGY ENABLED						MS-LP-6-H4-30i	
						MSLP6H430i (mm)	Revision 1.0 Sheet 2 / 2