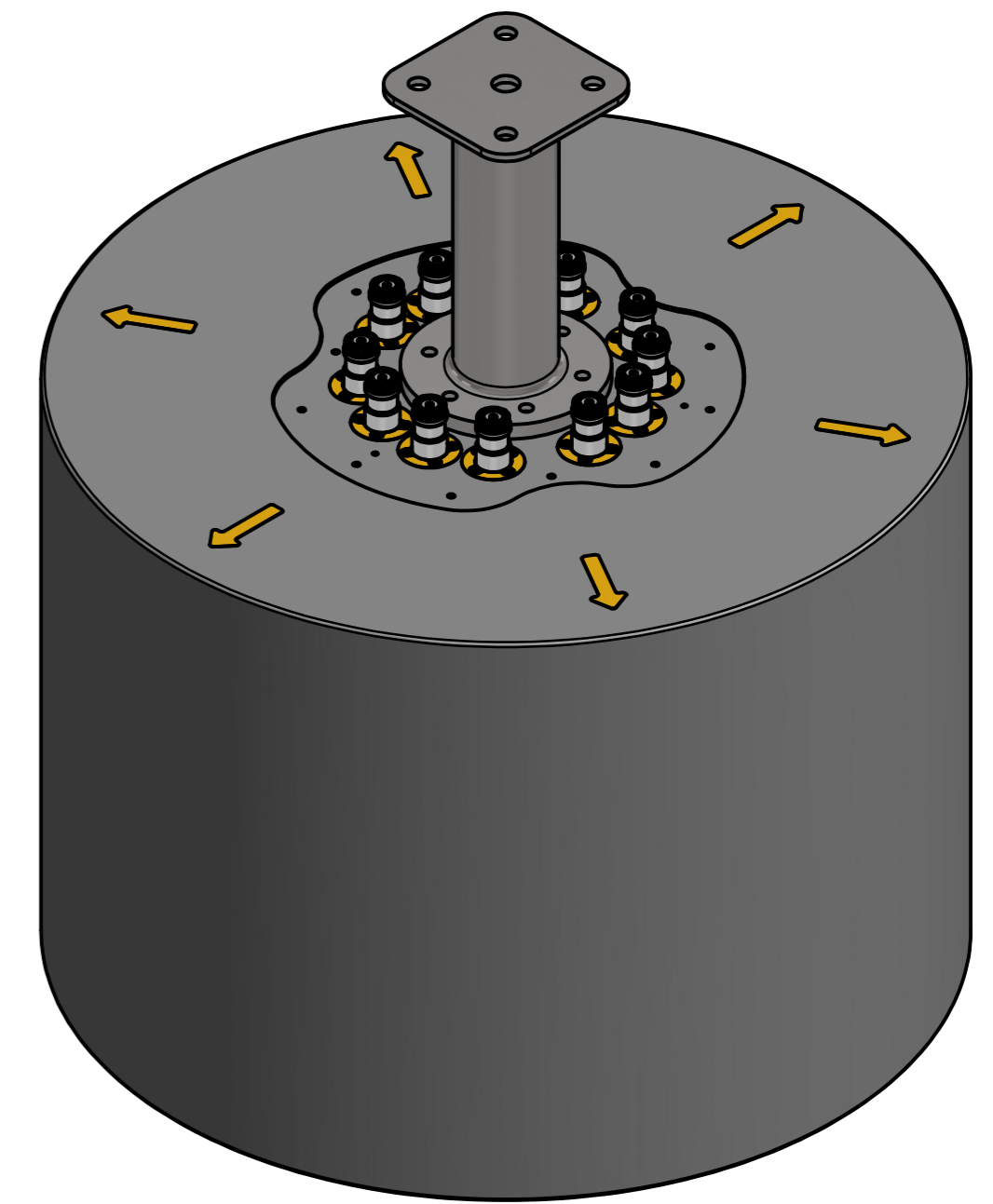
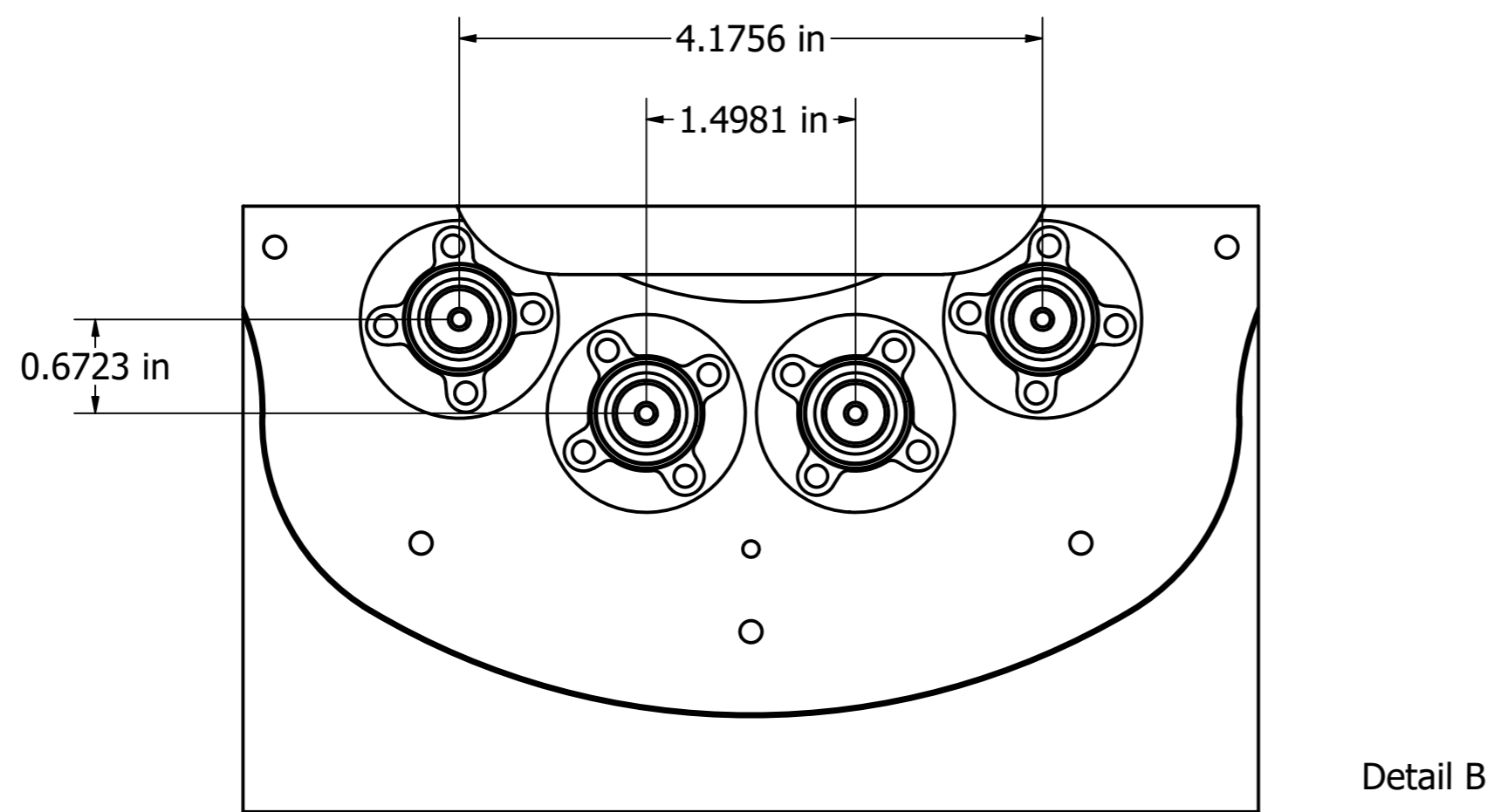
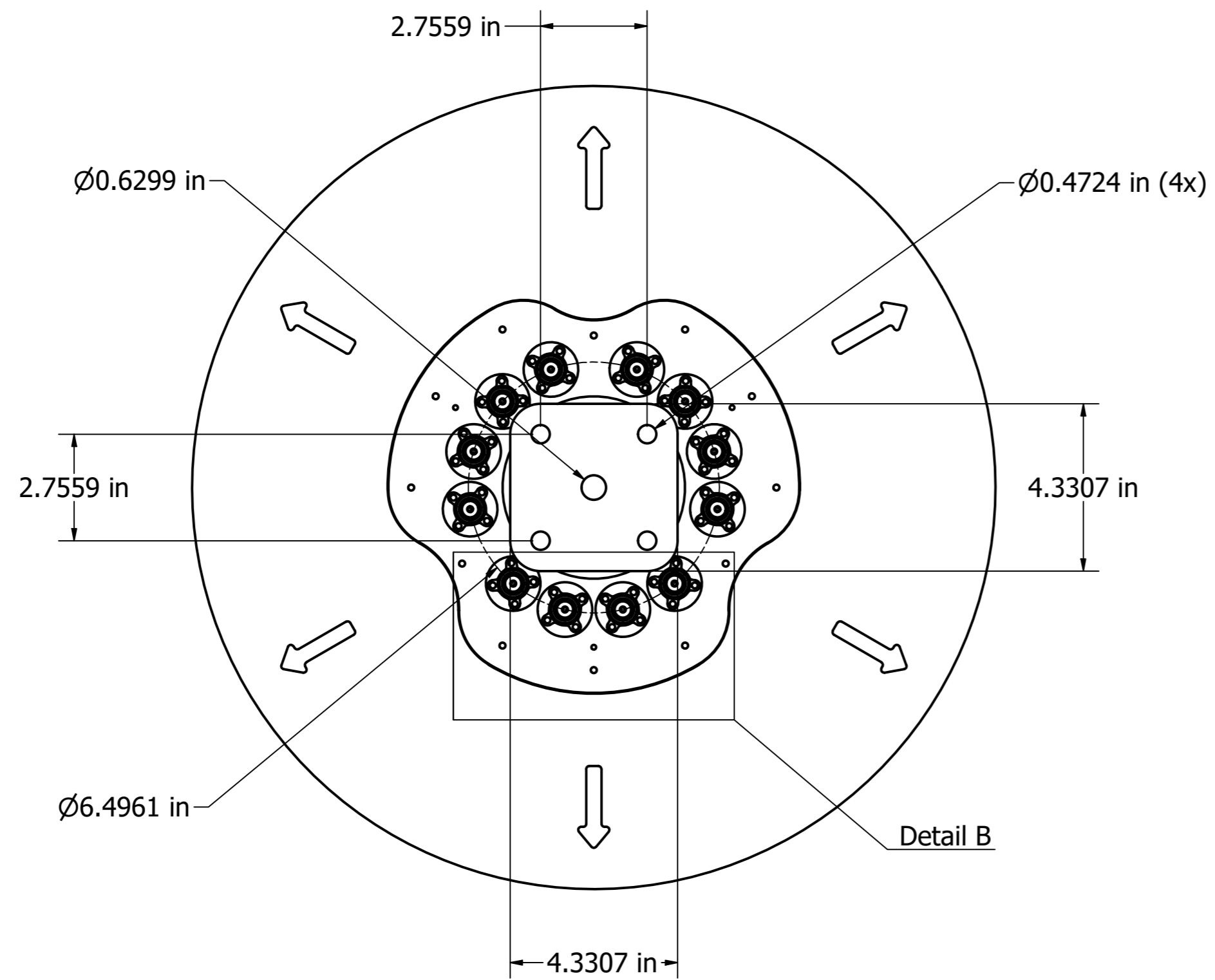


Designed by PAVEL	Drawing by LAWRENCE	Date 17/08/2021	Approved by PAVEL	Date 17/08/2021	Quantity	Material
MATSING LENS TECHNOLOGY ENABLED						MS-LP-6-H2
MS-LP-6-H2 (in)					Revision 1.0	Sheet 1 / 2



Designed by	Drawing by	Date	Approved by	Date	Quantity	Material
PAVEL	LAWRENCE	17/08/2021	PAVEL	17/08/2021		
MATSING LENS TECHNOLOGY ENABLED						MS-LP-6-H2
						MS-LP-6-H2 (in)
						Revision 1.0
						Sheet 2 / 2