

Wind Load

Antenna MS-LP-6-C2

Antenna Model Number

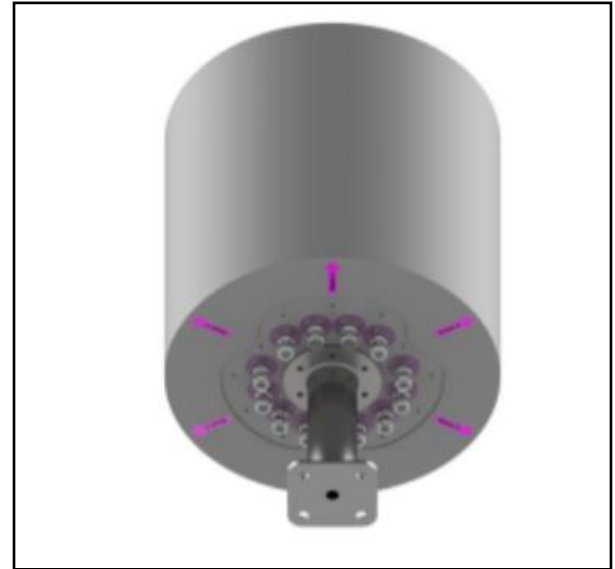
MS-LP-6-C2

Velocity [km/h]

150

Dimensions: H x W x D [mm]

470 X 365 X 365



Results

	Frontal	Lateral	Rear
Wind Load [N/lbf]	109.4/24.6	109.4/24.6	109.4/24.6