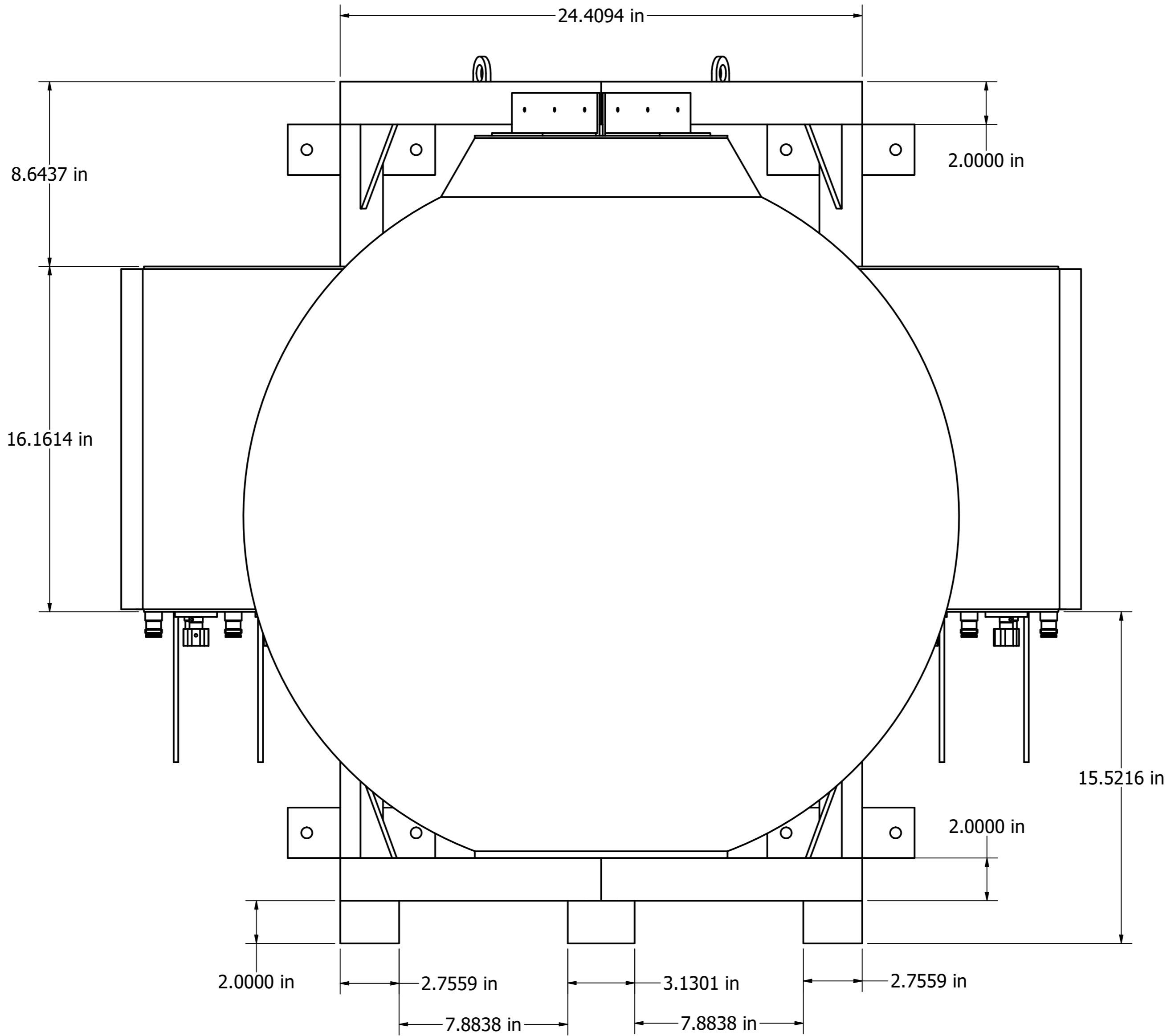
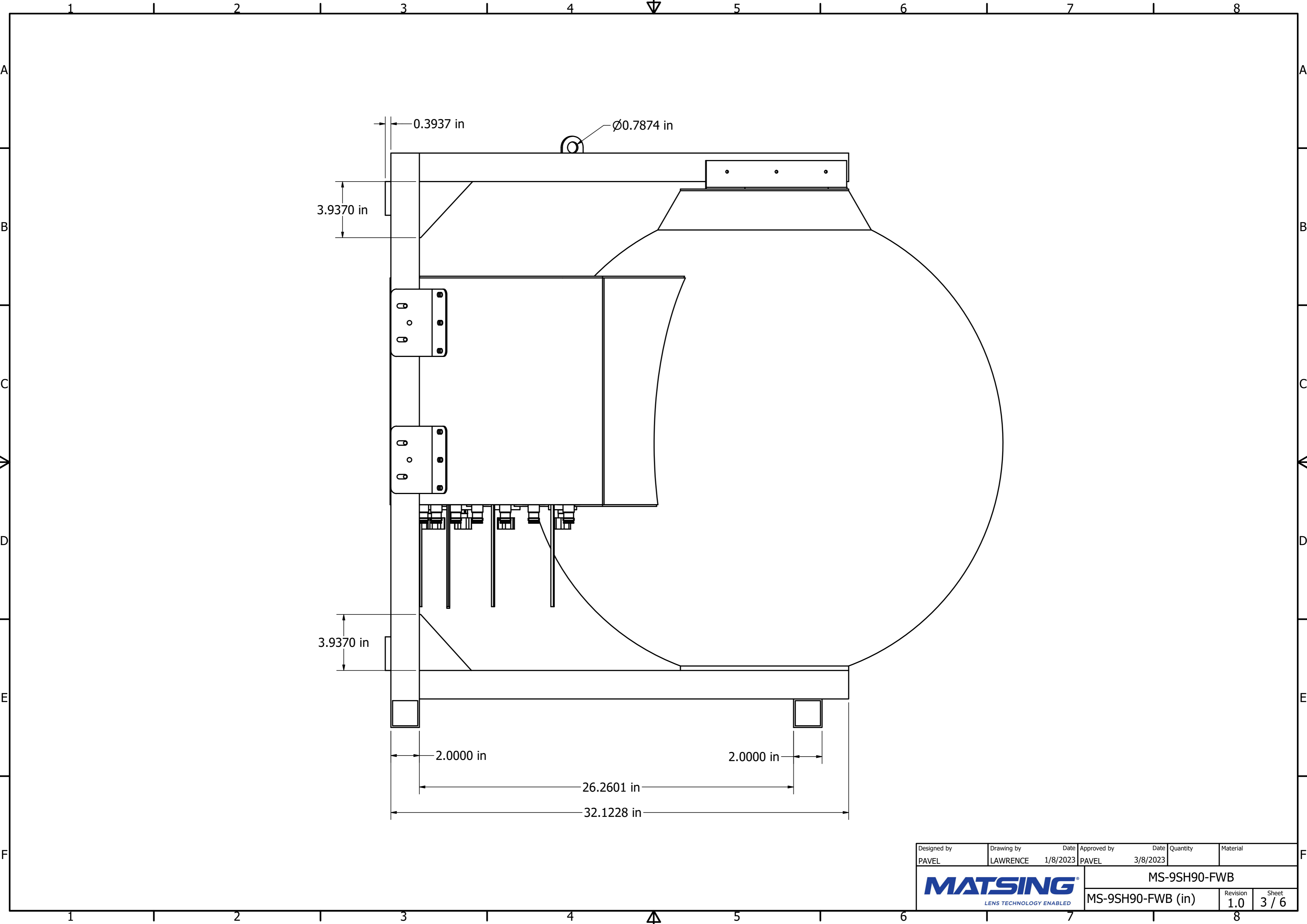



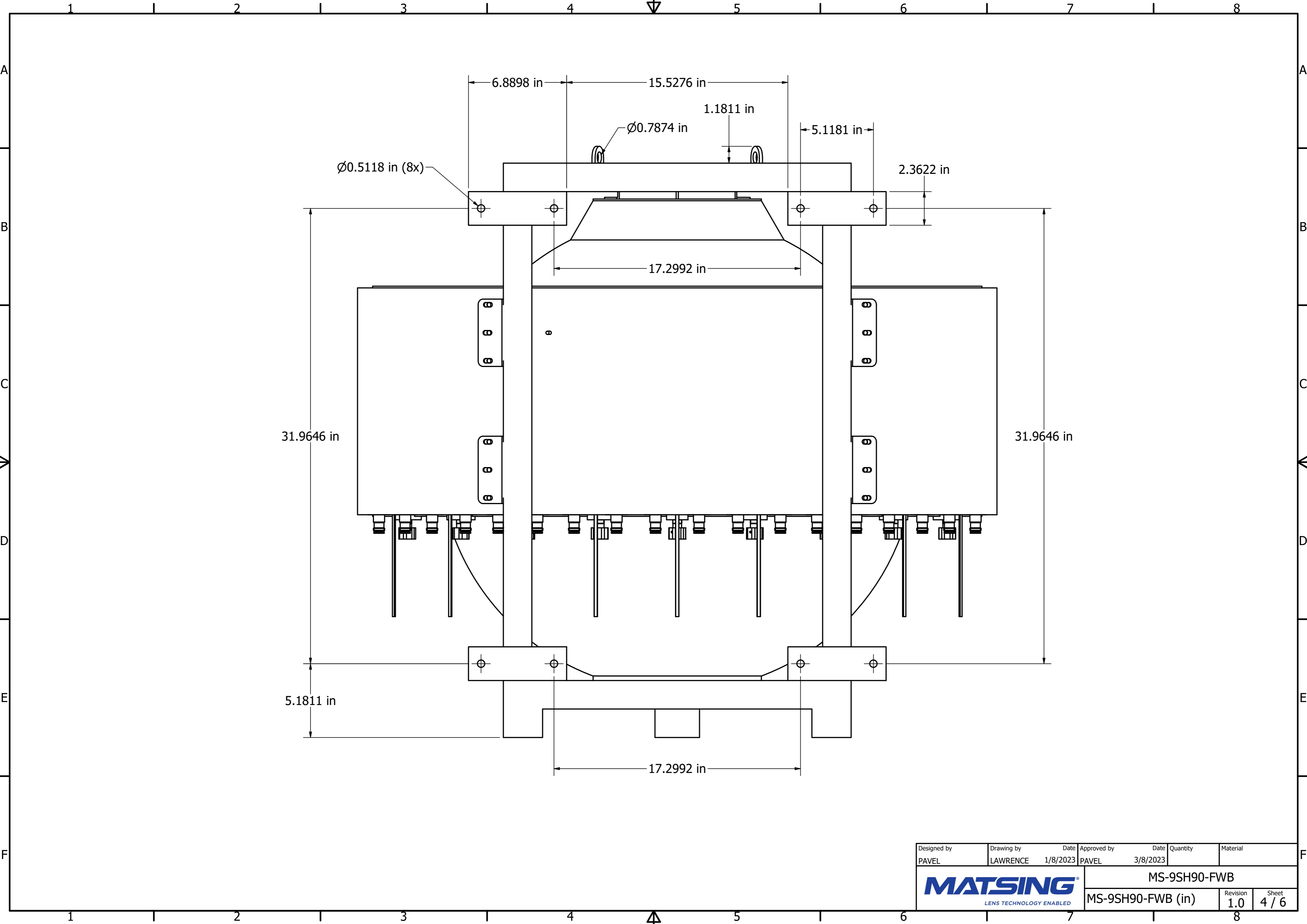
Designed by PAVEL	Drawing by LAWRENCE	Date 1/8/2023	Approved by PAVEL	Date 3/8/2023	Quantity	Material
MATSING LENS TECHNOLOGY ENABLED						MS-9SH90-FWB
MS-9SH90-FWB (in)					Revision 1.0	Sheet 1 / 6



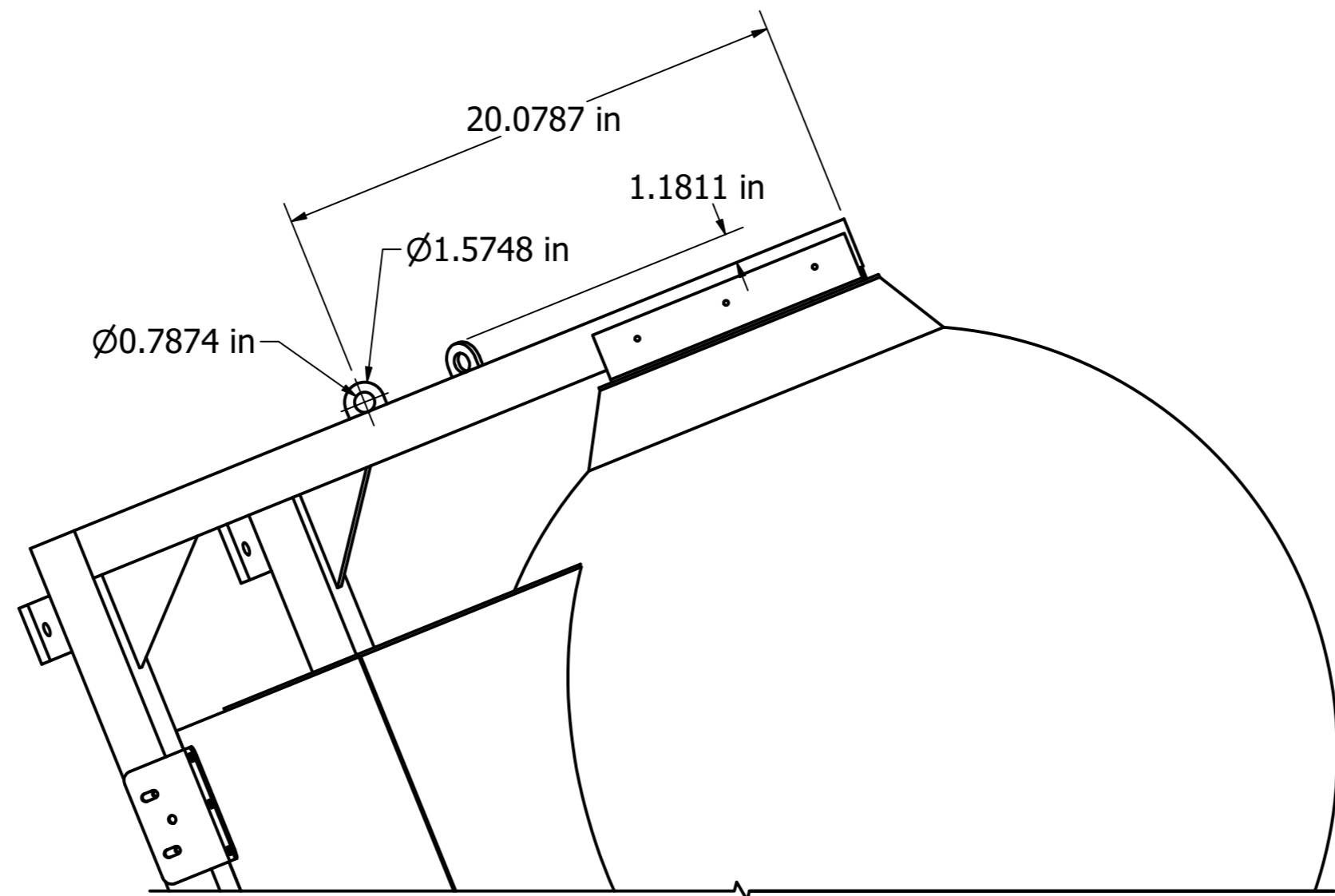
Designed by PAVEL	Drawing by LAWRENCE	Date 1/8/2023	Approved by PAVEL	Date 3/8/2023	Quantity	Material
MATSING LENS TECHNOLOGY ENABLED						MS-9SH90-FWB
MS-9SH90-FWB (in)					Revision 1.0	Sheet 2 / 6



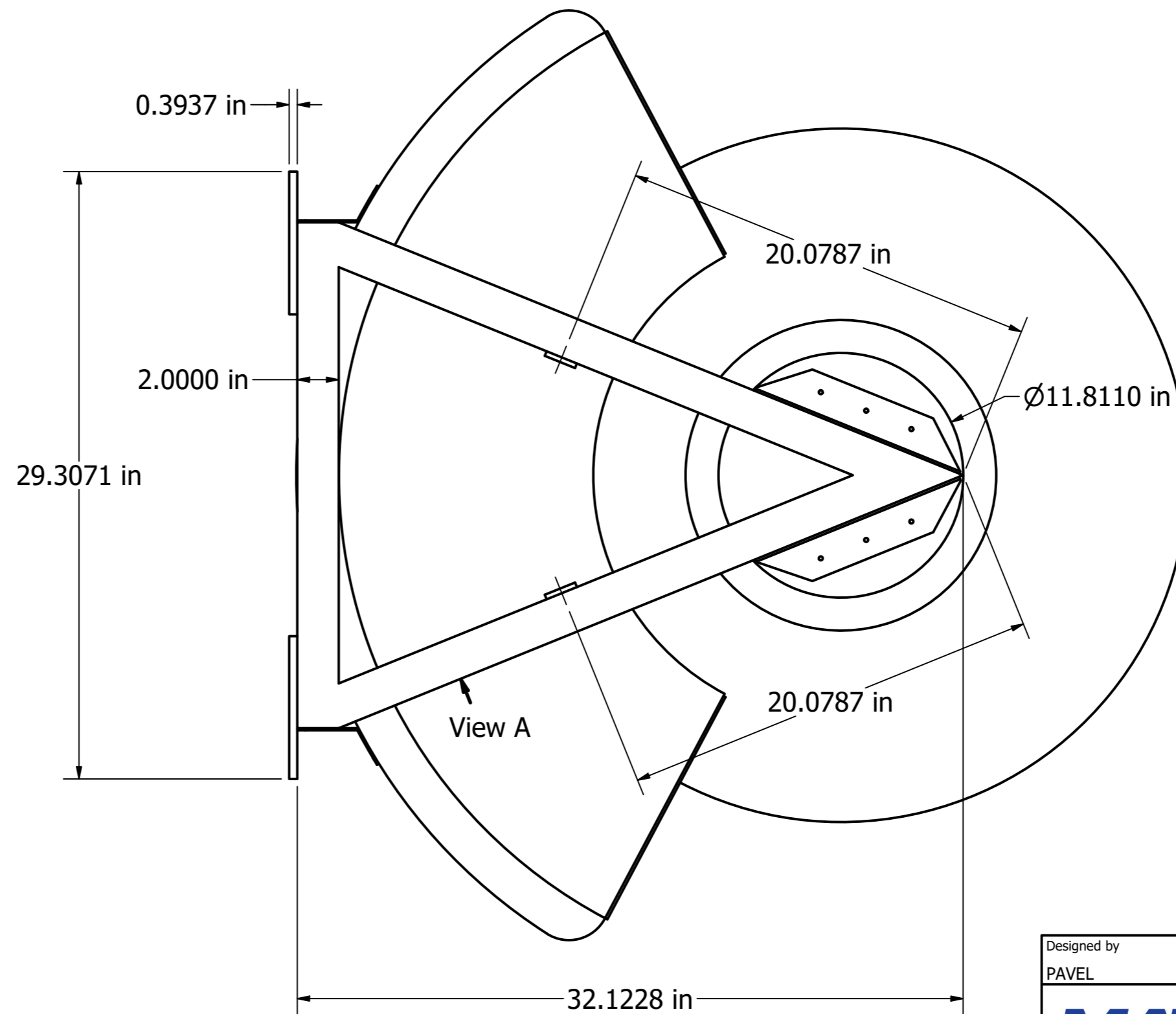
Designed by PAVEL	Drawing by LAWRENCE	Date 1/8/2023	Approved by PAVEL	Date 3/8/2023	Quantity	Material
 MATSING <small>LENS TECHNOLOGY ENABLED</small>						MS-9SH90-FWB
						MS-9SH90-FWB (in)



Designed by PAVEL	Drawing by LAWRENCE	Date 1/8/2023	Approved by PAVEL	Date 3/8/2023	Quantity	Material
MATSING LENS TECHNOLOGY ENABLED						MS-9SH90-FWB
MS-9SH90-FWB (in)					Revision 1.0	Sheet 4 / 6

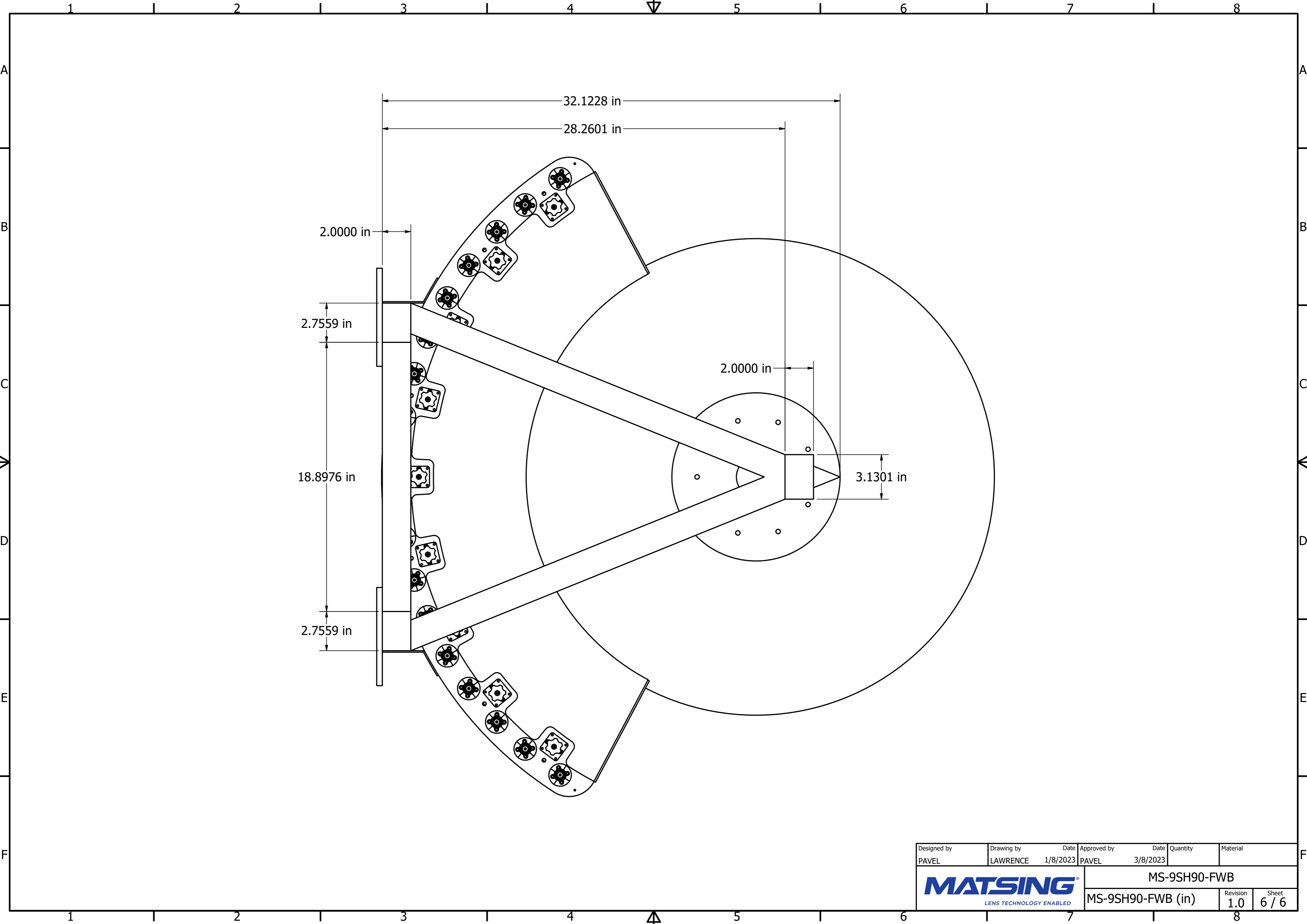



View A



View A

Designed by	Drawing by	Date	Approved by	Date	Quantity	Material	
PAVEL	LAWRENCE	1/8/2023	PAVEL	3/8/2023			
MATSING LENS TECHNOLOGY ENABLED							
MS-9SH90-FWB						Revision	Sheet
MS-9SH90-FWB (in)						1.0	5 / 6



Designed by PAVEL	Drawing by LAWRENCE	Date 1/8/2023	Approved by PAVEL	Date 3/8/2023	Quantity	Material
 MATSING <small>LENS TECHNOLOGY ENABLED</small>						MS-9SH90-FWB
						MS-9SH90-FWB (in)