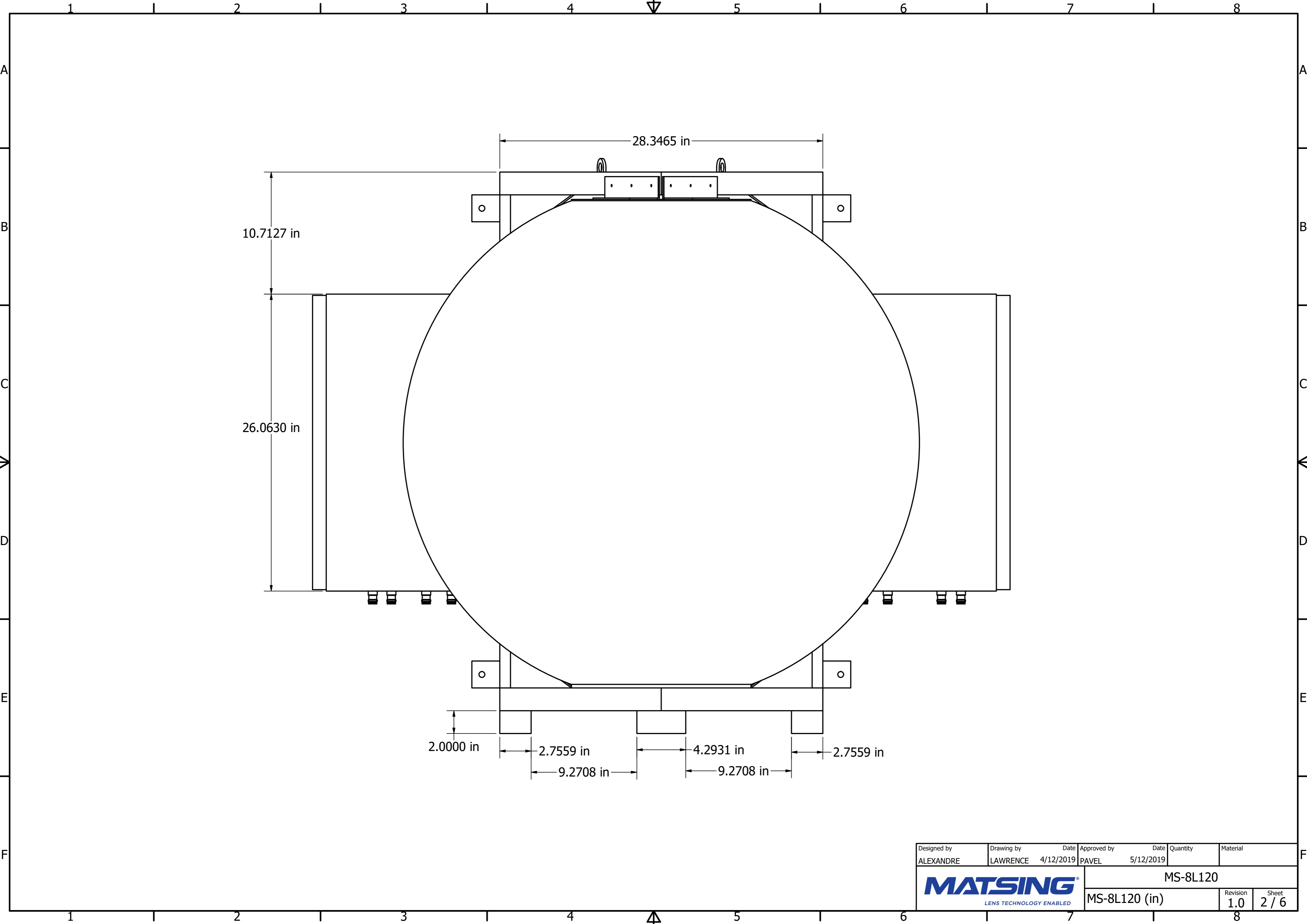

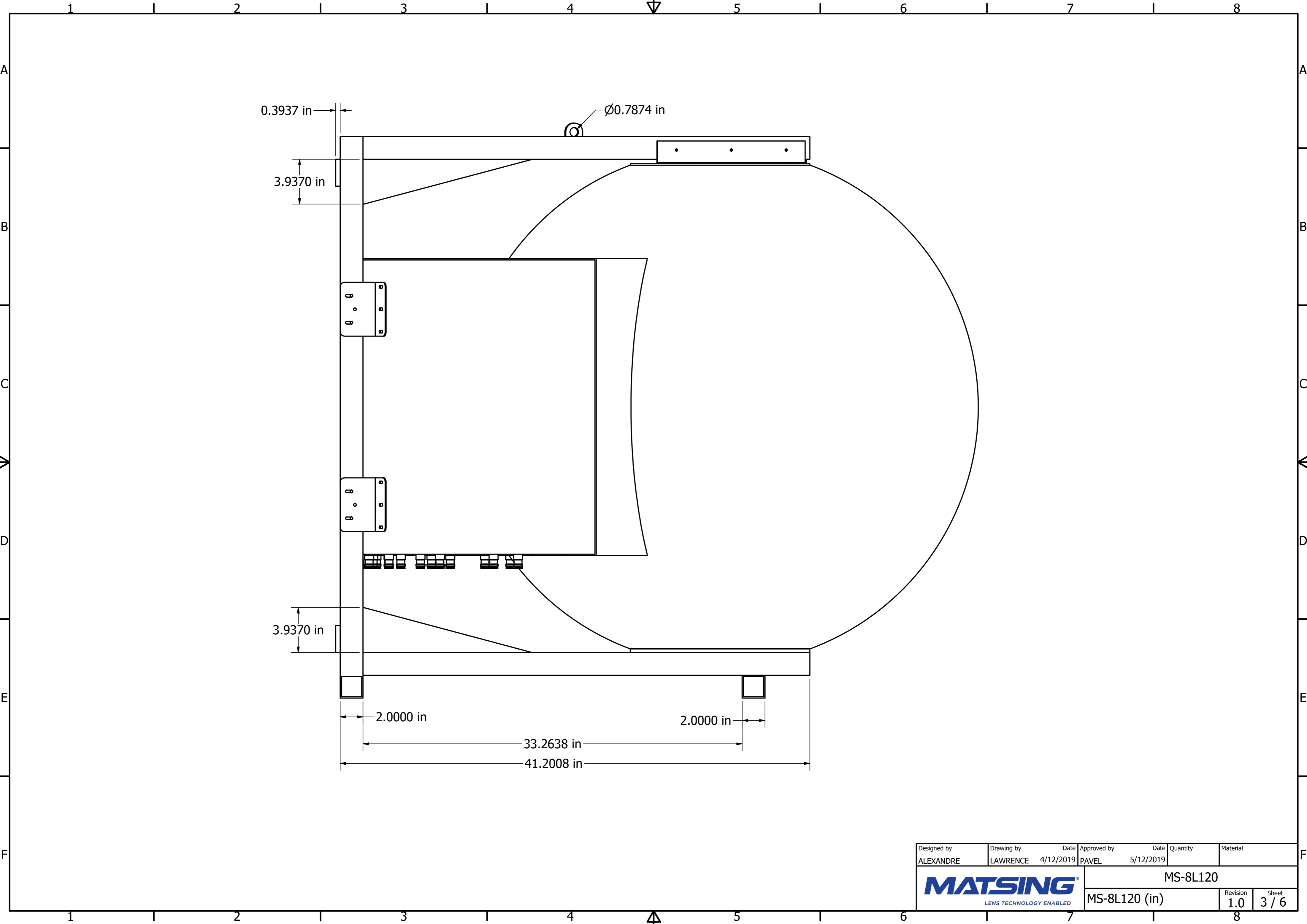


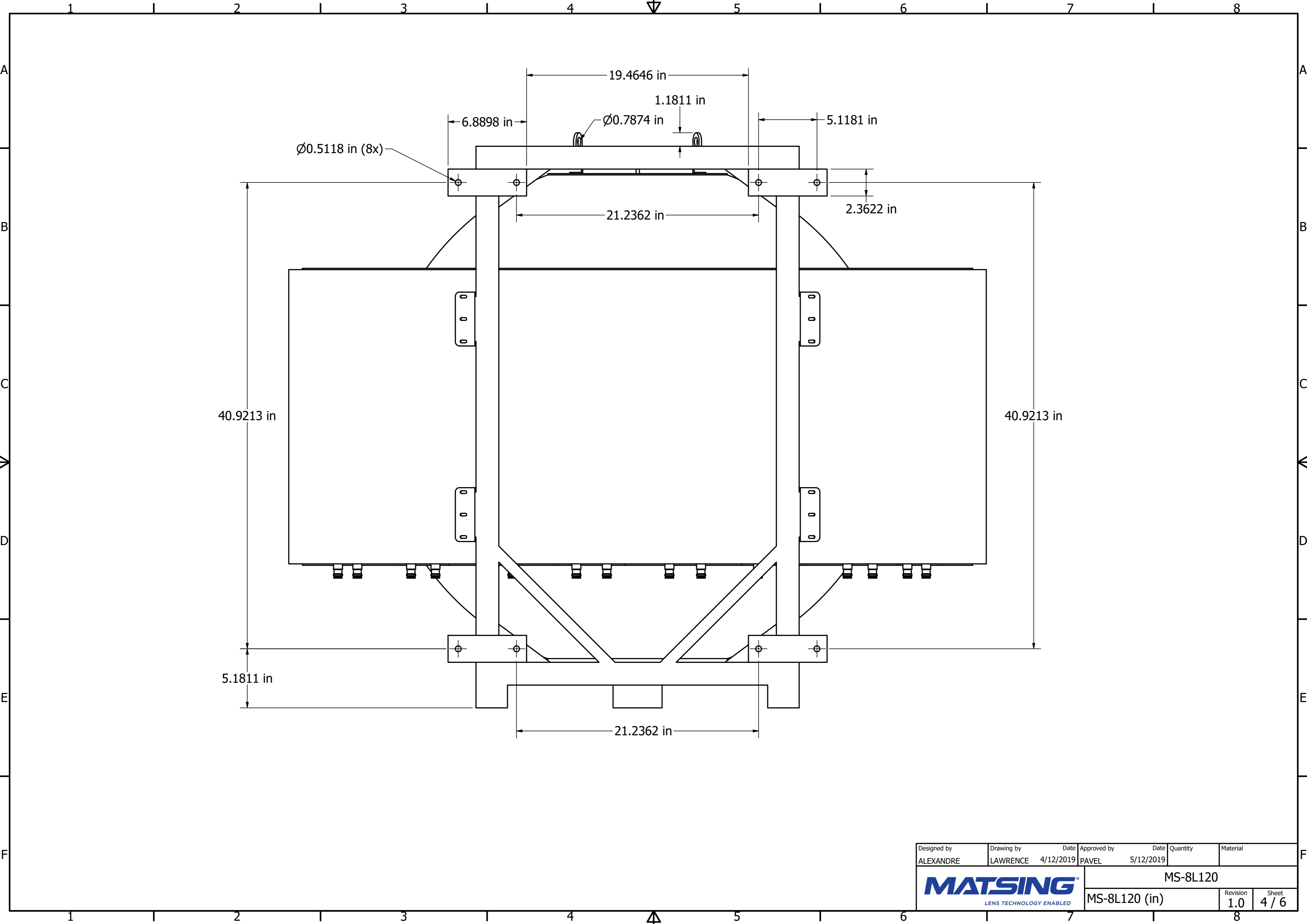
Designed by	Drawing by	Date	Approved by	Date	Quantity	Material	
ALEXANDRE	LAWRENCE	4/12/2019	PAVEL	5/12/2019			
MATSING LENS TECHNOLOGY ENABLED						MS-8L120	
MS-8L120 (in)						Revision 1.0	Sheet 1 / 6




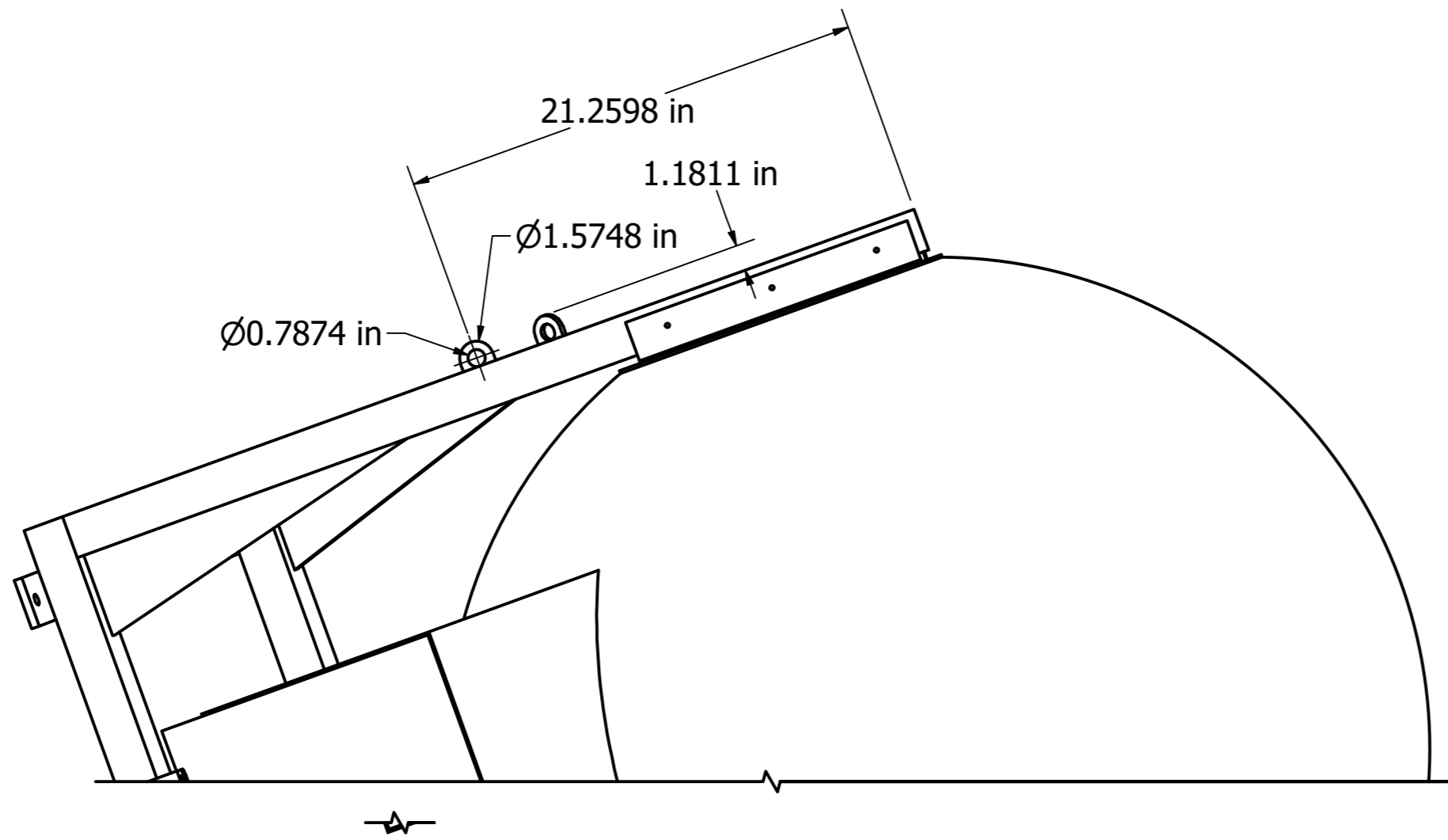
Designed by ALEXANDRE	Drawing by LAWRENCE	Date 4/12/2019	Approved by PAVEL	Date 5/12/2019	Quantity	Material
 MATSING <small>LENS TECHNOLOGY ENABLED</small>					MS-8L120	
					MS-8L120 (in)	



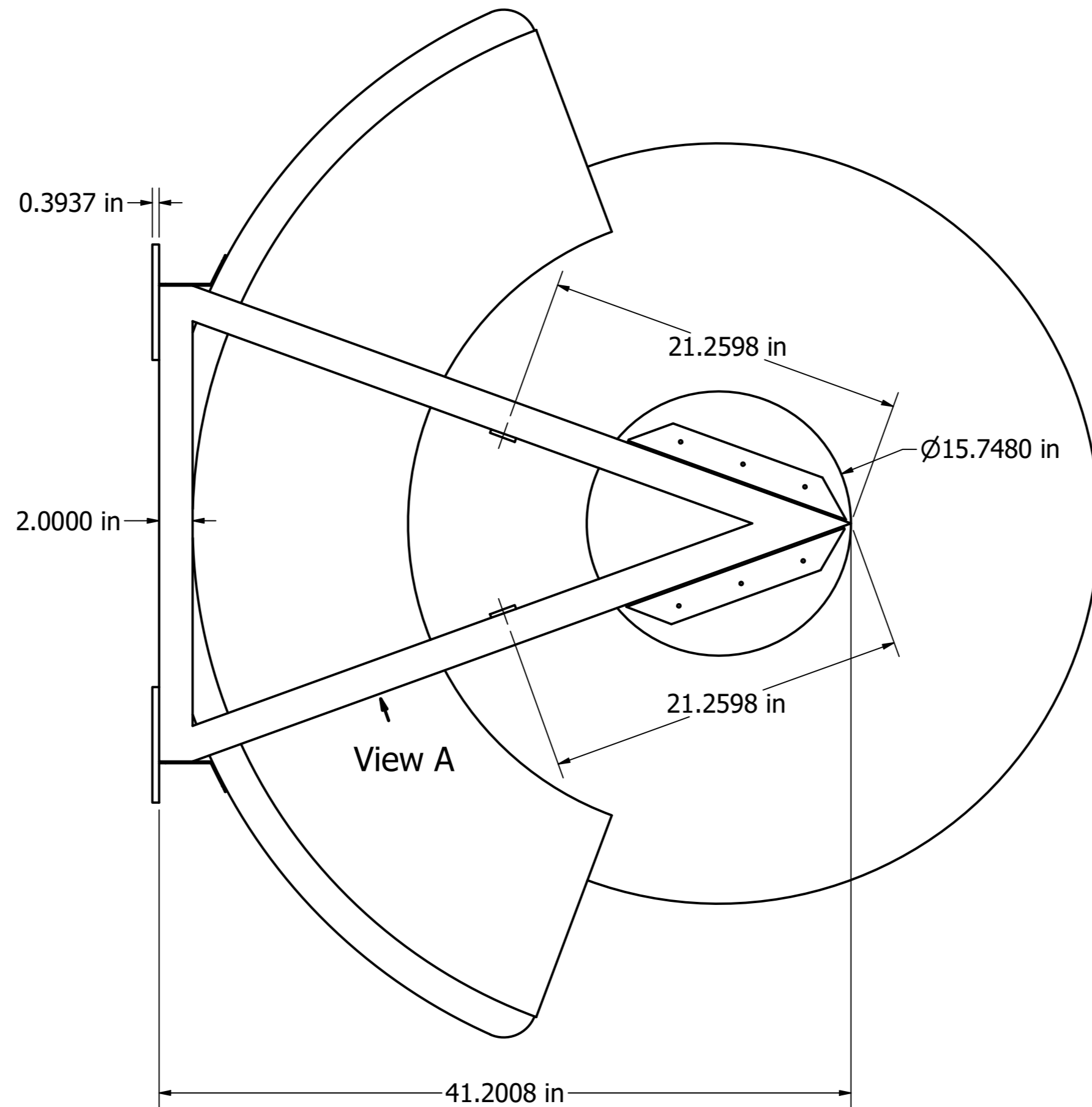
Designed by ALEXANDRE	Drawing by LAWRENCE	Date 4/12/2019	Approved by PAVEL	Date 5/12/2019	Quantity	Material
MATSING LENS TECHNOLOGY ENABLED						MS-8L120
MS-8L120 (in)					Revision 1.0	Sheet 3 / 6



Designed by ALEXANDRE	Drawing by LAWRENCE	Date 4/12/2019	Approved by PAVEL	Date 5/12/2019	Quantity	Material
						MS-8L120
						MS-8L120 (in)

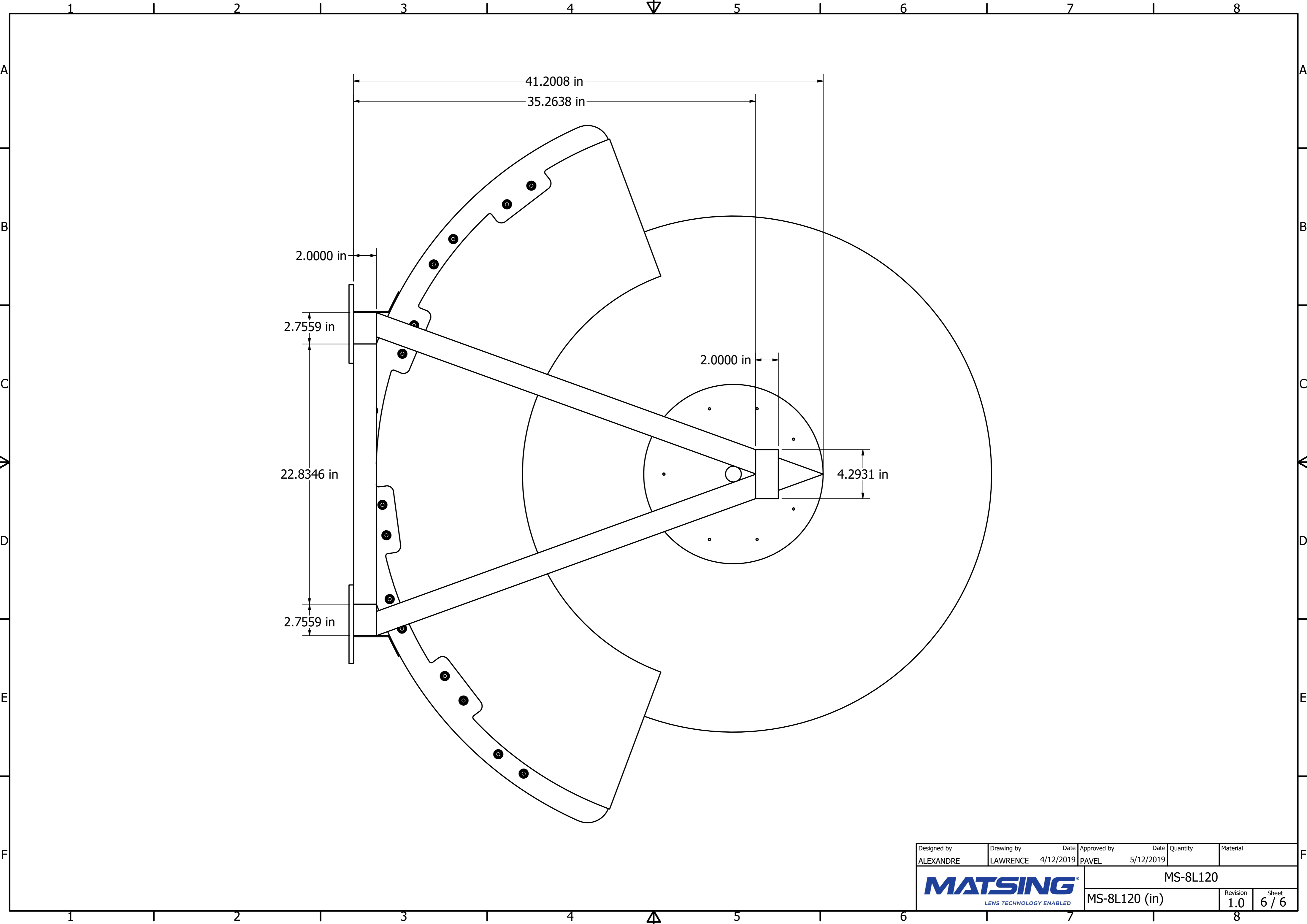


View A



View A

Designed by	Drawing by	Date	Approved by	Date	Quantity	Material	
ALEXANDRE	LAWRENCE	4/12/2019	PAVEL	5/12/2019			
MATSING LENS TECHNOLOGY ENABLED						MS-8L120	
MS-8L120 (in)						Revision 1.0	Sheet 5 / 6



Designed by ALEXANDRE	Drawing by LAWRENCE	Date 4/12/2019	Approved by PAVEL	Date 5/12/2019	Quantity	Material
MATSING LENS TECHNOLOGY ENABLED						MS-8L120
MS-8L120 (in)					Revision 1.0	Sheet 6 / 6