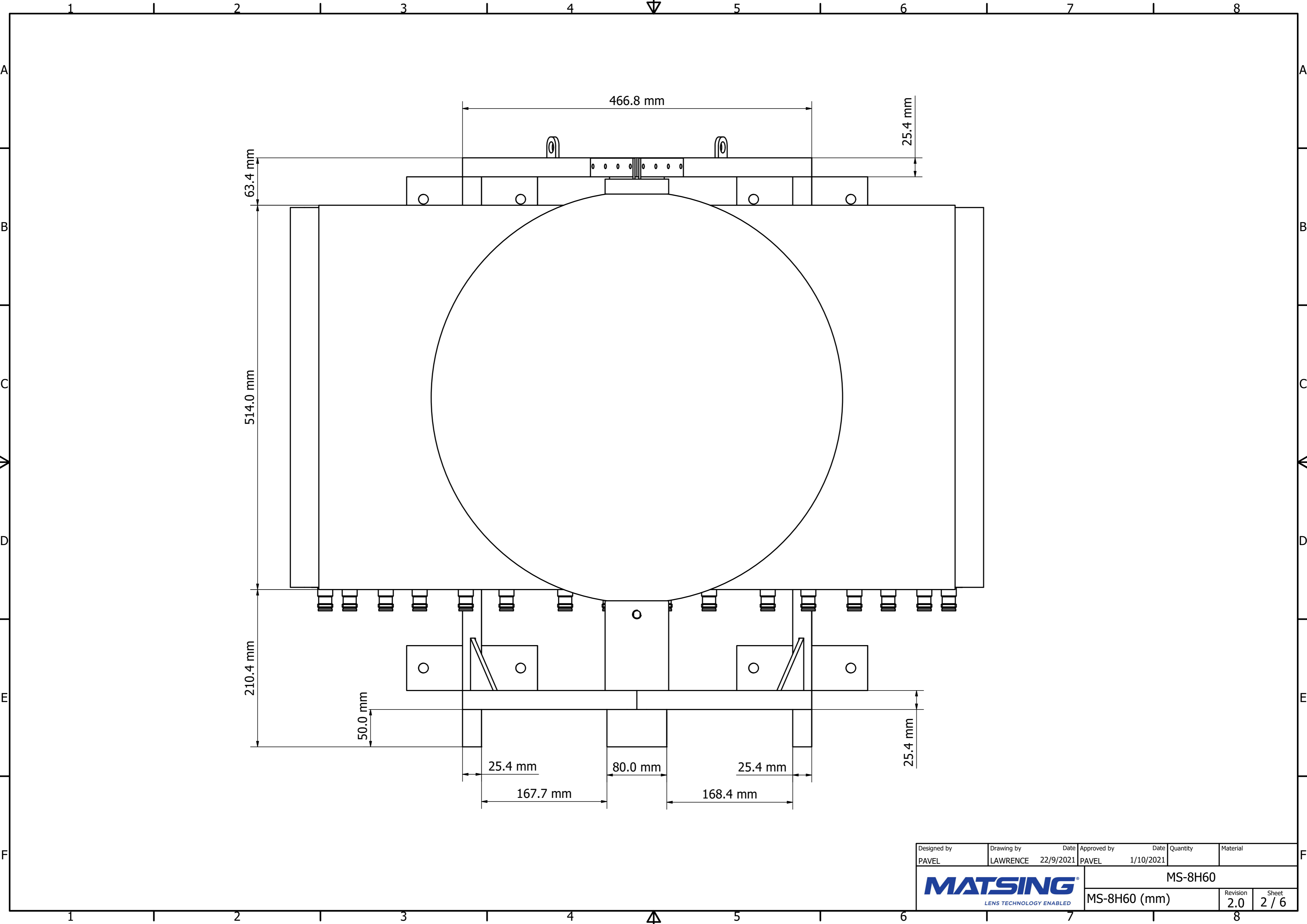

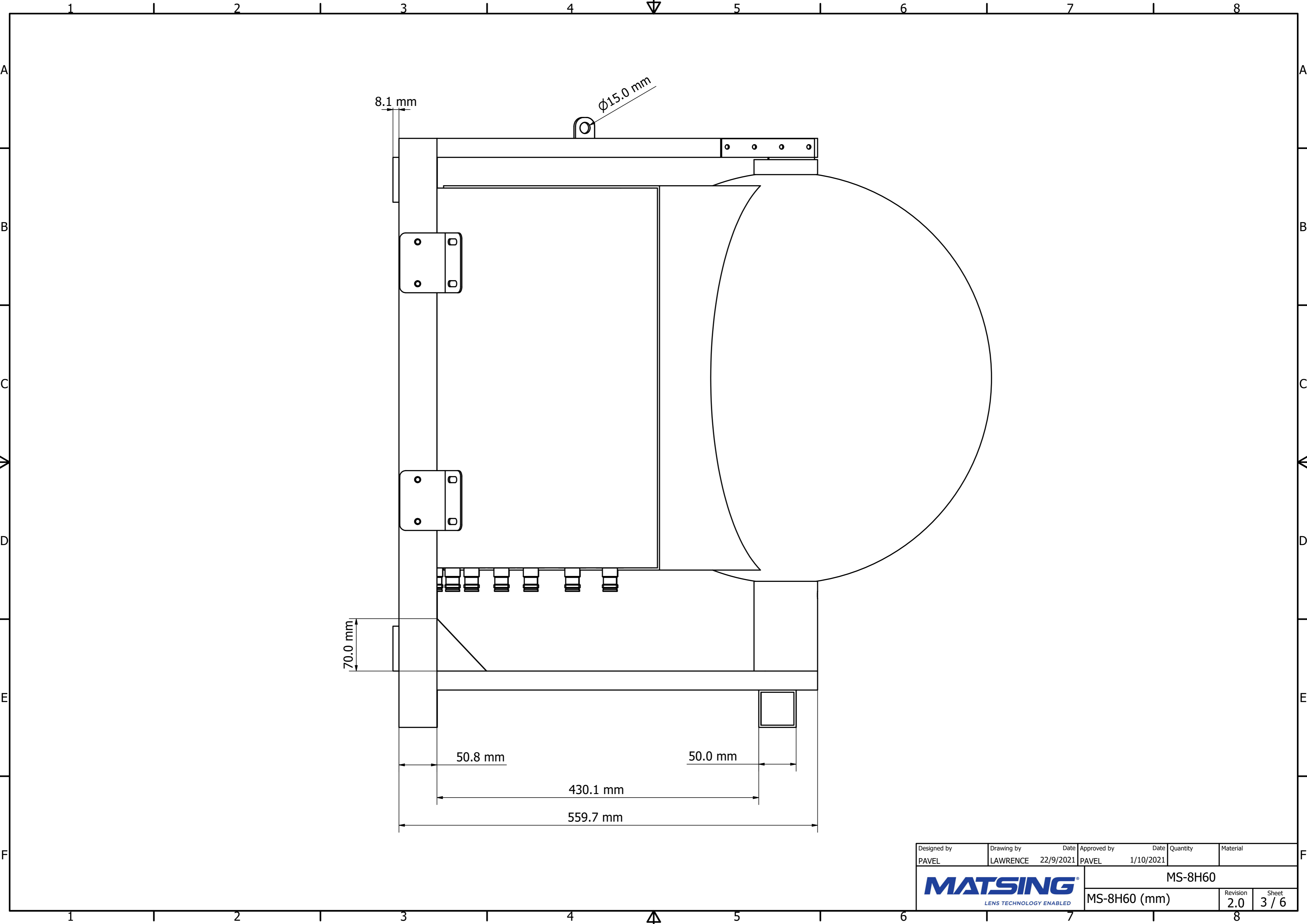


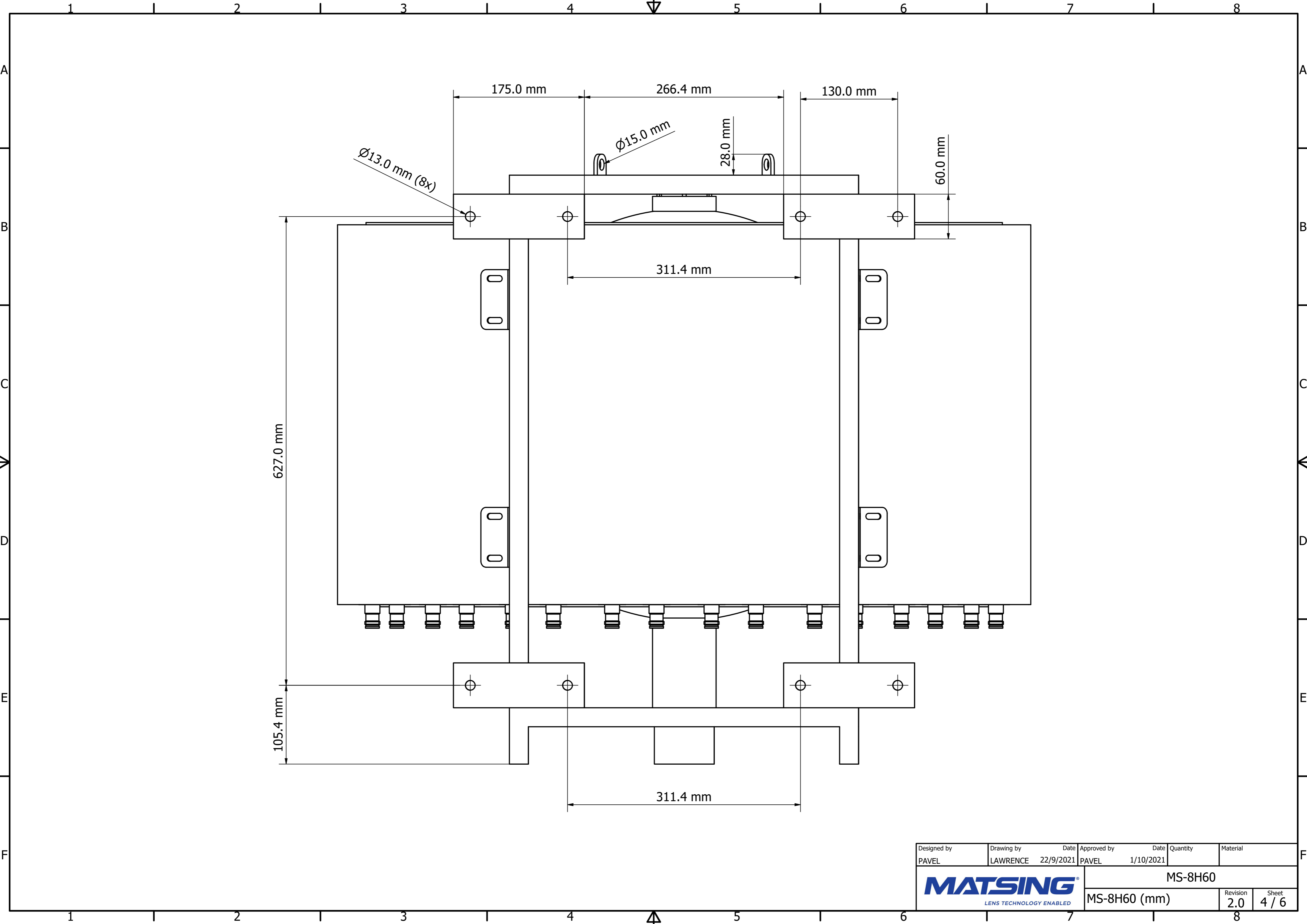
| | | | | | | |
|---|------------------------|-------------------|----------------------|-------------------|-----------------|----------------|
| Designed by PAVEL | Drawing by LAWRENCE | Date 22/9/2021 | Approved by PAVEL | Date 1/10/2021 | Quantity | Material |
| MATSING LENS TECHNOLOGY ENABLED | | | | | | MS-8H60 |
| MS-8H60 (mm) | | | | | Revision 2.0 | Sheet 1 / 6 |



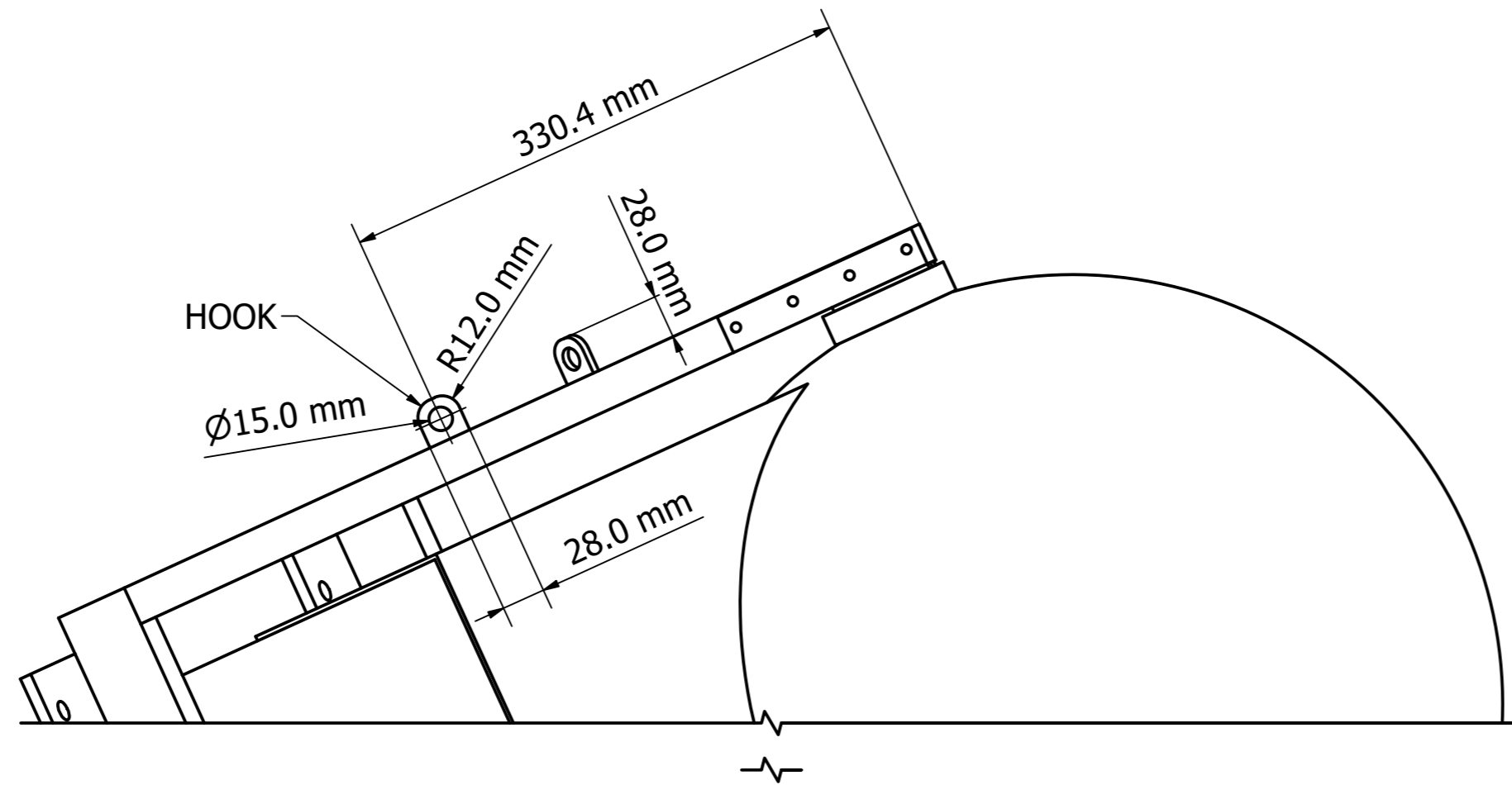
| | | | | | | |
|--|------------------------|-------------------|----------------------|-------------------|----------|--------------|
| Designed by PAVEL | Drawing by LAWRENCE | Date 22/9/2021 | Approved by PAVEL | Date 1/10/2021 | Quantity | Material |
|  MATSING <small>LENS TECHNOLOGY ENABLED</small> | | | | | | MS-8H60 |
| | | | | | | MS-8H60 (mm) |



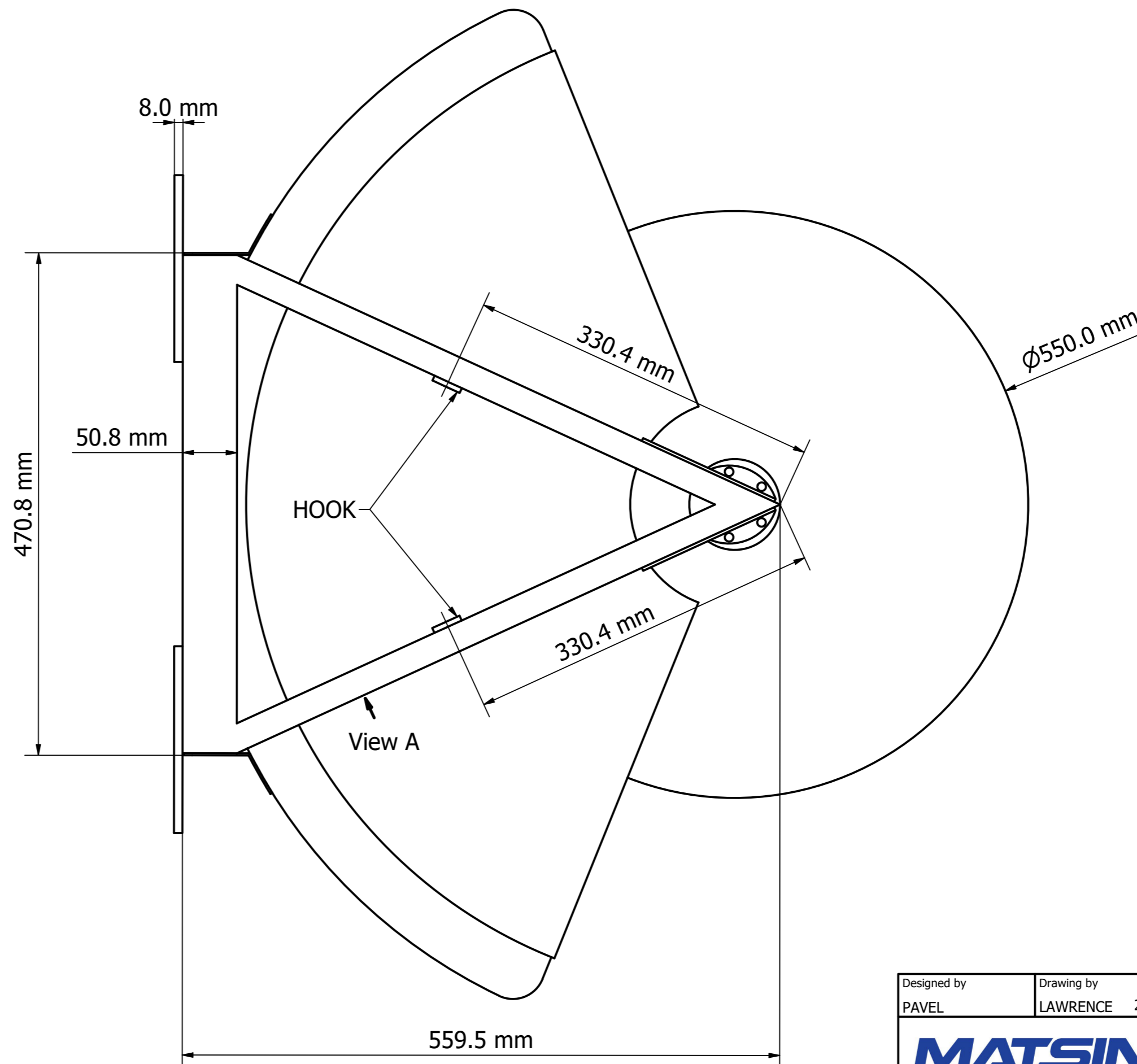
| | | | | | | |
|---|------------------------|-------------------|----------------------|-------------------|-----------------|----------------|
| Designed by PAVEL | Drawing by LAWRENCE | Date 22/9/2021 | Approved by PAVEL | Date 1/10/2021 | Quantity | Material |
| MATSING LENS TECHNOLOGY ENABLED | | | | | | MS-8H60 |
| MS-8H60 (mm) | | | | | Revision 2.0 | Sheet 3 / 6 |



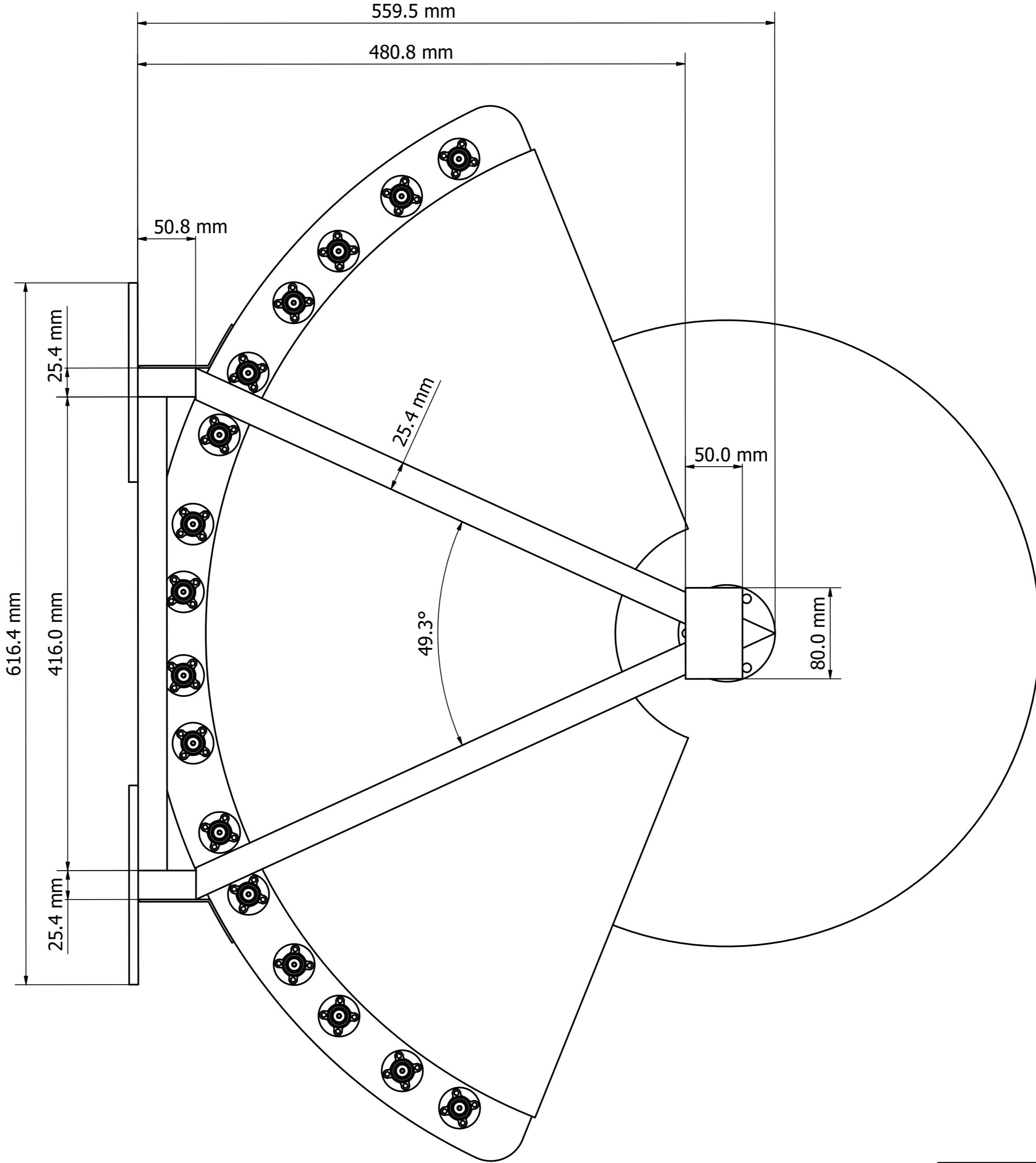
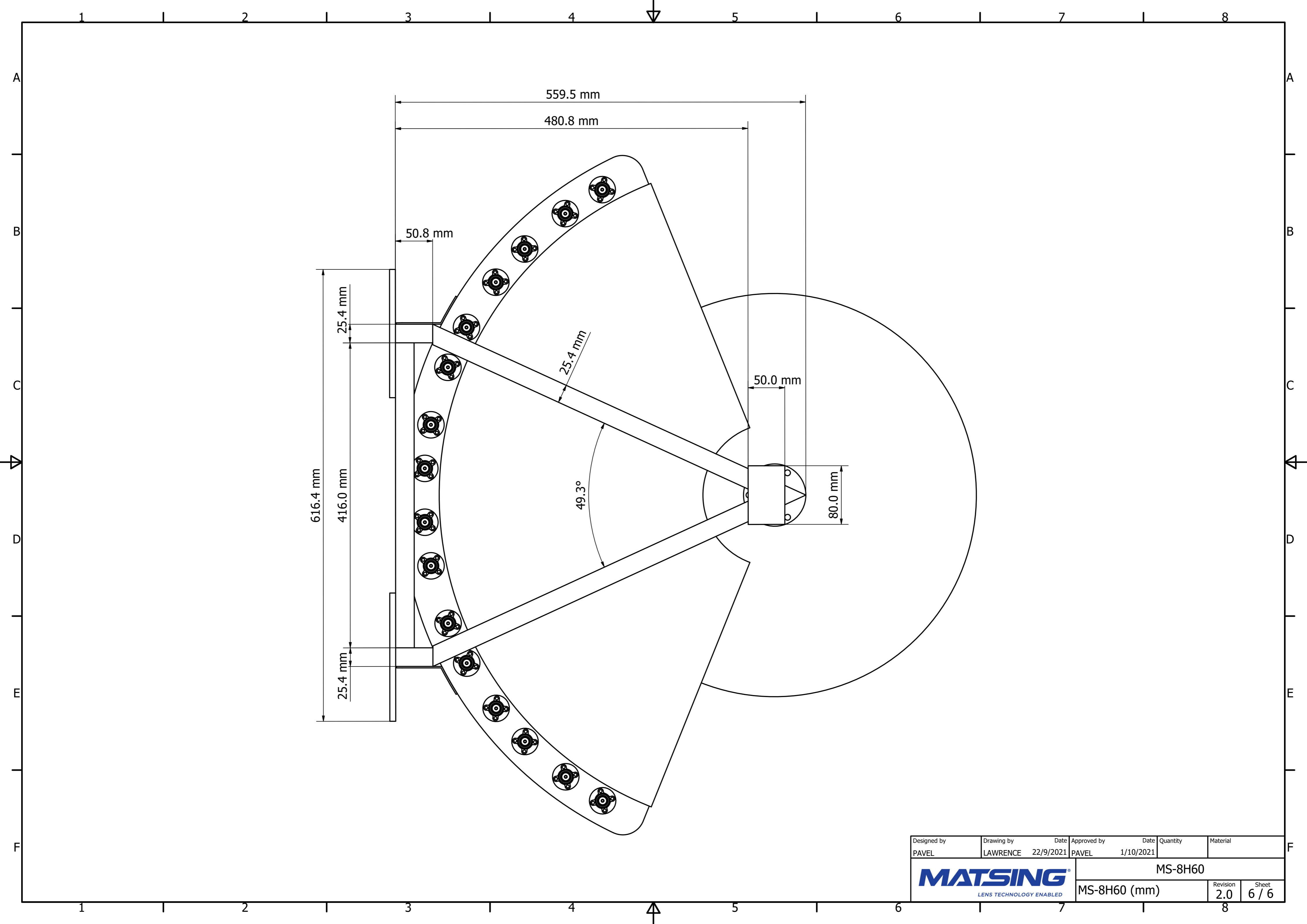
| | | | | | | |
|---|------------------------|-------------------|----------------------|-------------------|-----------------|----------------|
| Designed by PAVEL | Drawing by LAWRENCE | Date 22/9/2021 | Approved by PAVEL | Date 1/10/2021 | Quantity | Material |
| MATSING LENS TECHNOLOGY ENABLED | | | | | | MS-8H60 |
| MS-8H60 (mm) | | | | | Revision 2.0 | Sheet 4 / 6 |




View A



| Designed by | Drawing by | Date | Approved by | Date | Quantity | Material |
|---|------------|-----------|-------------|-----------|----------|--------------|
| PAVEL | LAWRENCE | 22/9/2021 | PAVEL | 1/10/2021 | | |
| MATSING LENS TECHNOLOGY ENABLED | | | | | | MS-8H60 |
| | | | | | | MS-8H60 (mm) |
| | | | | | Revision | Sheet |
| | | | | | 2.0 | 5 / 6 |



| | | | | | | |
|---|------------------------|-------------------|----------------------|-------------------|----------|--------------|
| Designed by PAVEL | Drawing by LAWRENCE | Date 22/9/2021 | Approved by PAVEL | Date 1/10/2021 | Quantity | Material |
|  | | | | | | MS-8H60 |
| | | | | | | MS-8H60 (mm) |