
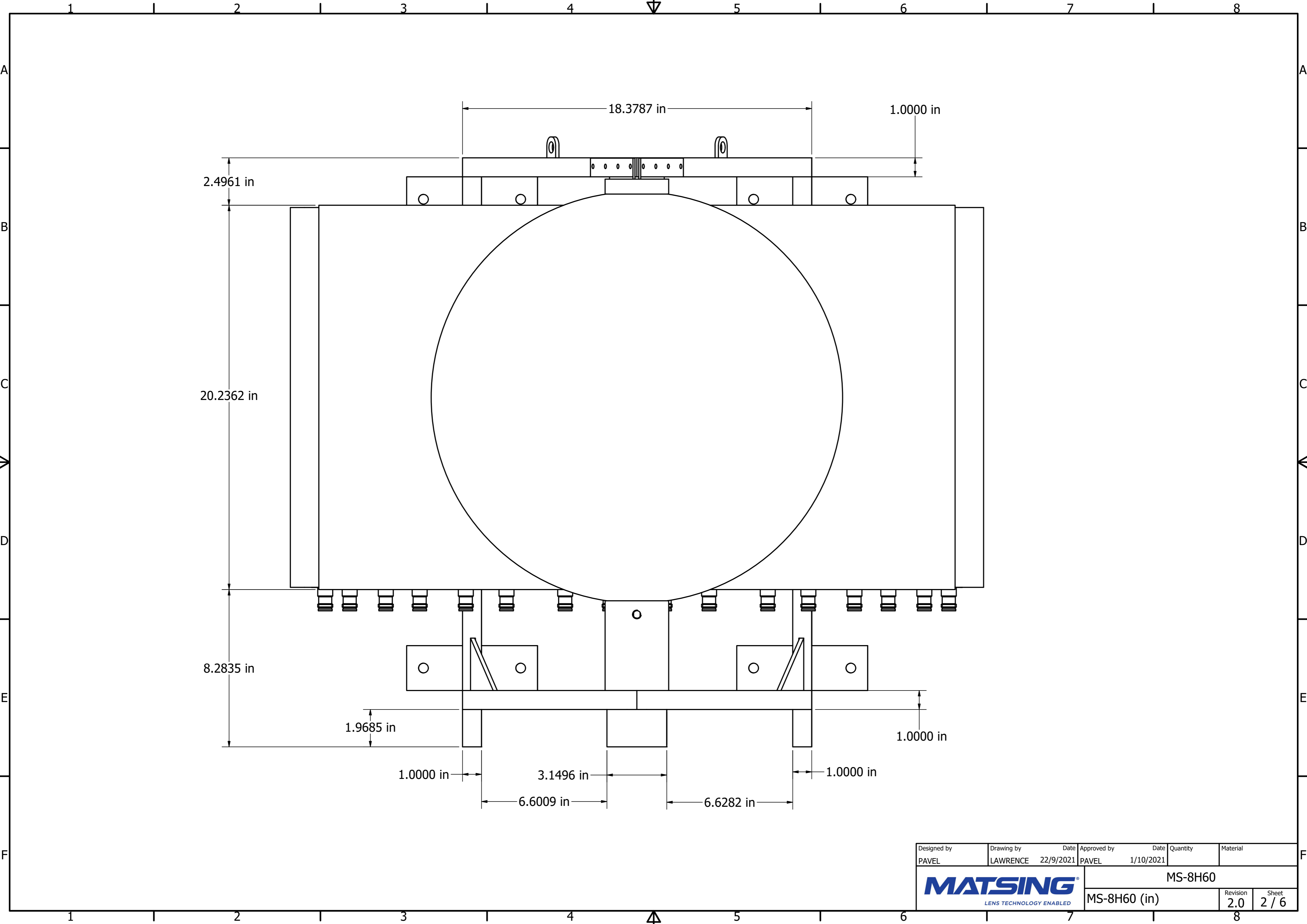

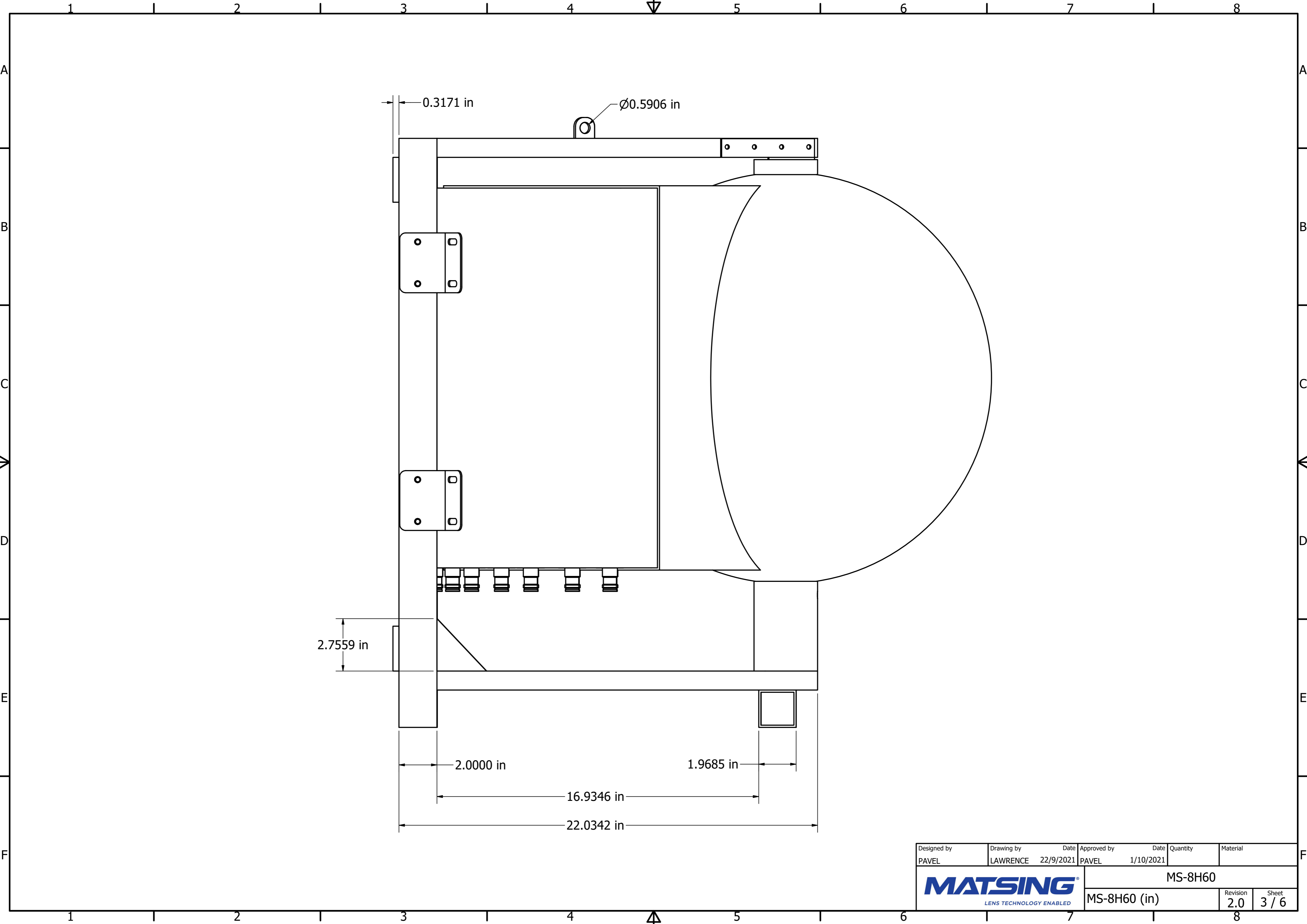


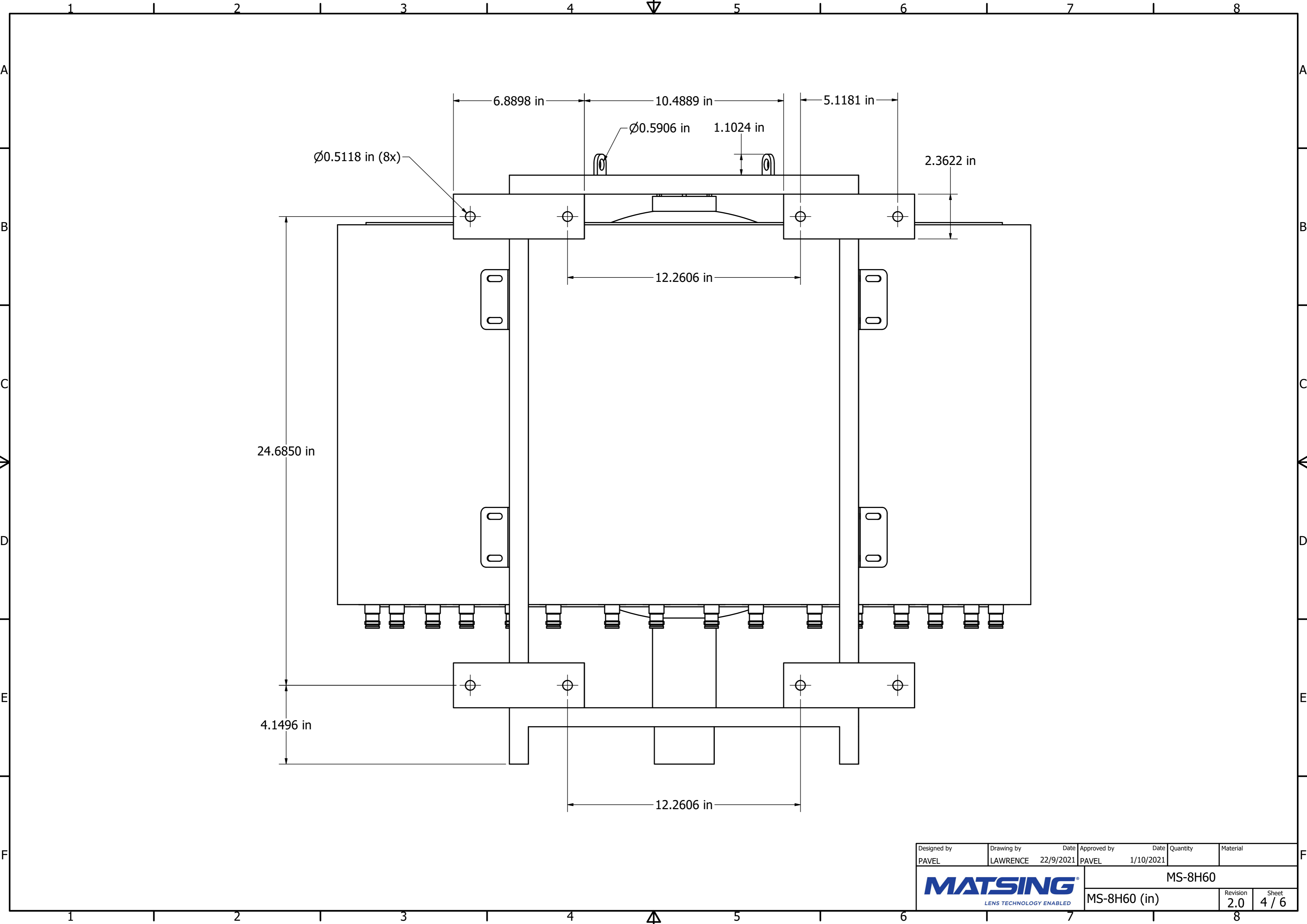
Designed by PAVEL	Drawing by LAWRENCE	Date 22/9/2021	Approved by PAVEL	Date 1/10/2021	Quantity	Material
						MS-8H60
						MS-8H60 (in)




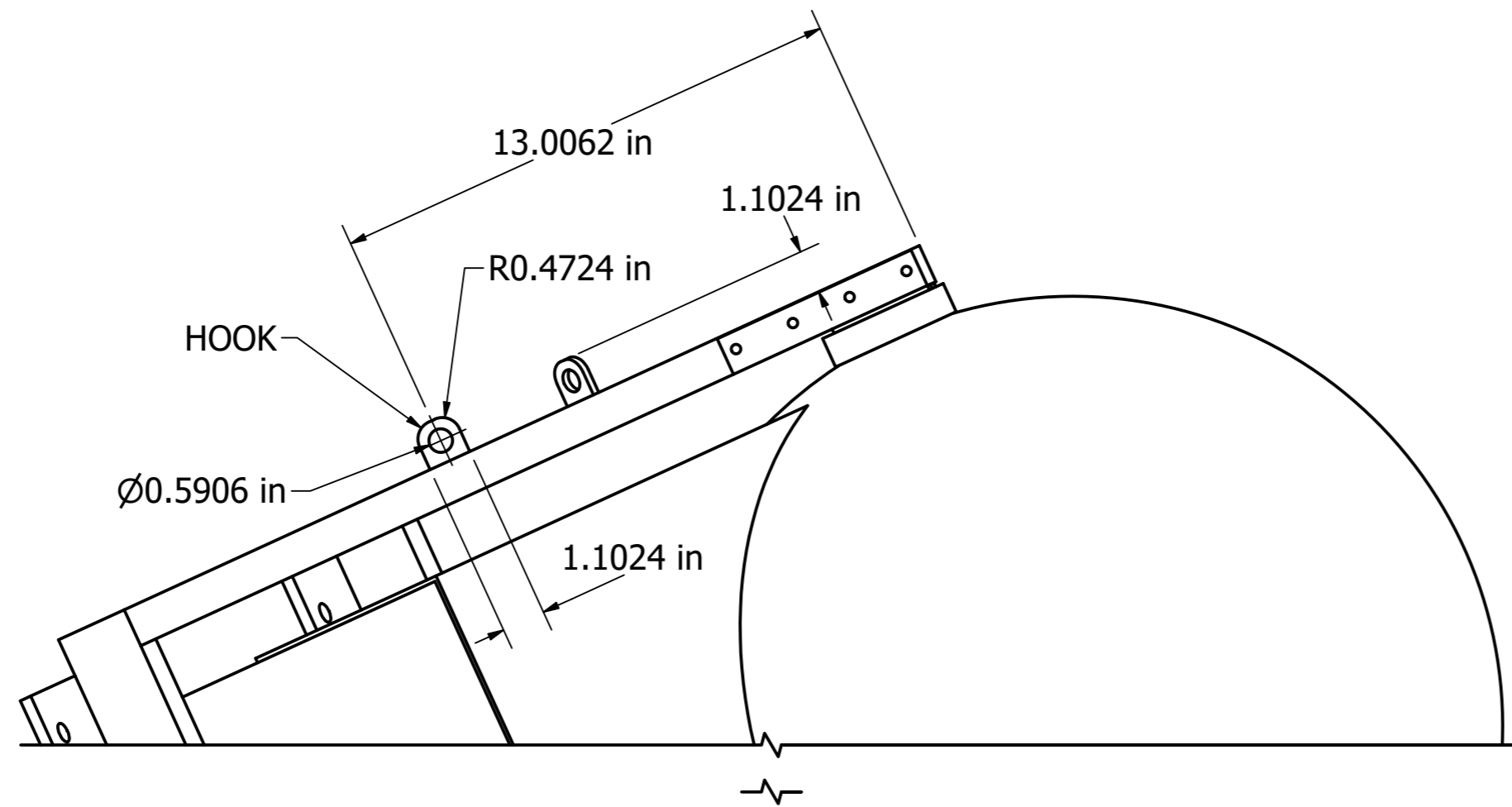
Designed by PAVEL	Drawing by LAWRENCE	Date 22/9/2021	Approved by PAVEL	Date 1/10/2021	Quantity	Material
 MATSING <small>LENS TECHNOLOGY ENABLED</small>						MS-8H60
						MS-8H60 (in)



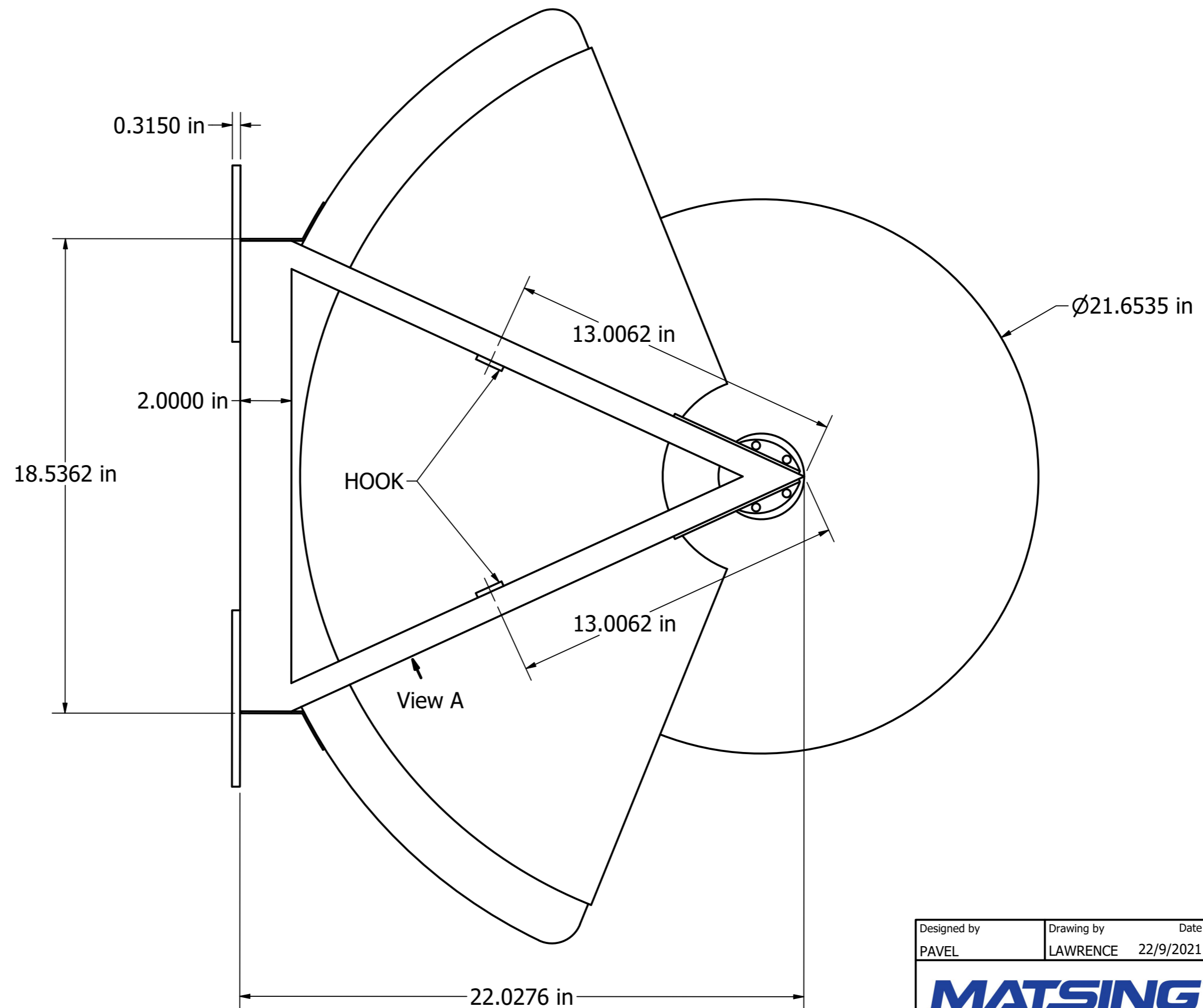
Designed by	Drawing by	Date	Approved by	Date	Quantity	Material		
PAVEL	LAWRENCE	22/9/2021	PAVEL	1/10/2021				
MATSING LENS TECHNOLOGY ENABLED						MS-8H60		
						MS-8H60 (in)	Revision 2.0	Sheet 3 / 6



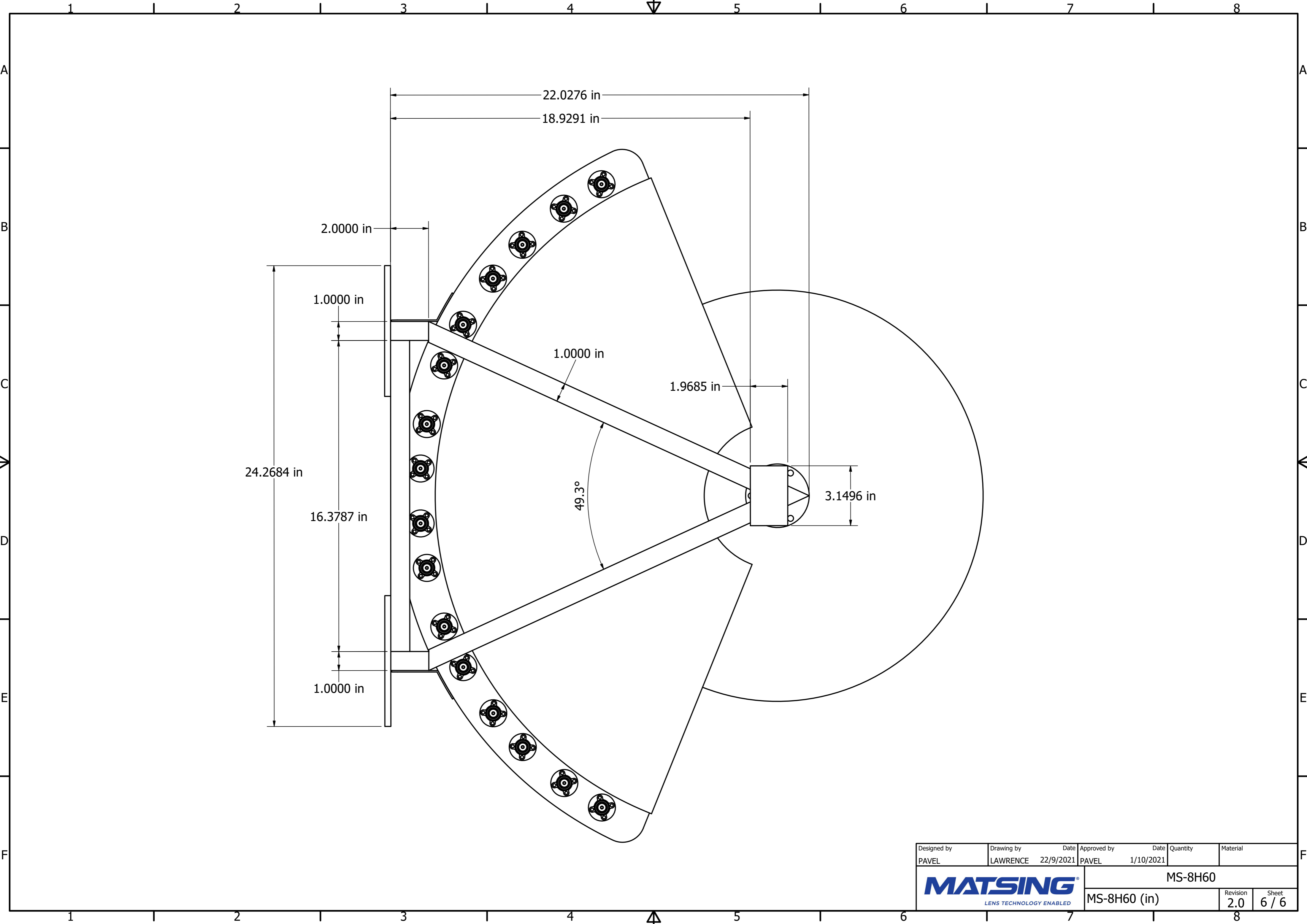
Designed by PAVEL	Drawing by LAWRENCE	Date 22/9/2021	Approved by PAVEL	Date 1/10/2021	Quantity	Material
 MATSING <small>LENS TECHNOLOGY ENABLED</small>					MS-8H60	
					MS-8H60 (in)	Revision 2.0




View A



Designed by	Drawing by	Date	Approved by	Date	Quantity	Material
PAVEL	LAWRENCE	22/9/2021	PAVEL	1/10/2021		
MATSING LENS TECHNOLOGY ENABLED						MS-8H60
						MS-8H60 (in)
					Revision	Sheet
					2.0	5 / 6



Designed by PAVEL	Drawing by LAWRENCE	Date 22/9/2021	Approved by PAVEL	Date 1/10/2021	Quantity	Material
 <small>LENS TECHNOLOGY ENABLED</small>			MS-8H60			
			MS-8H60 (in)			Revision 2.0