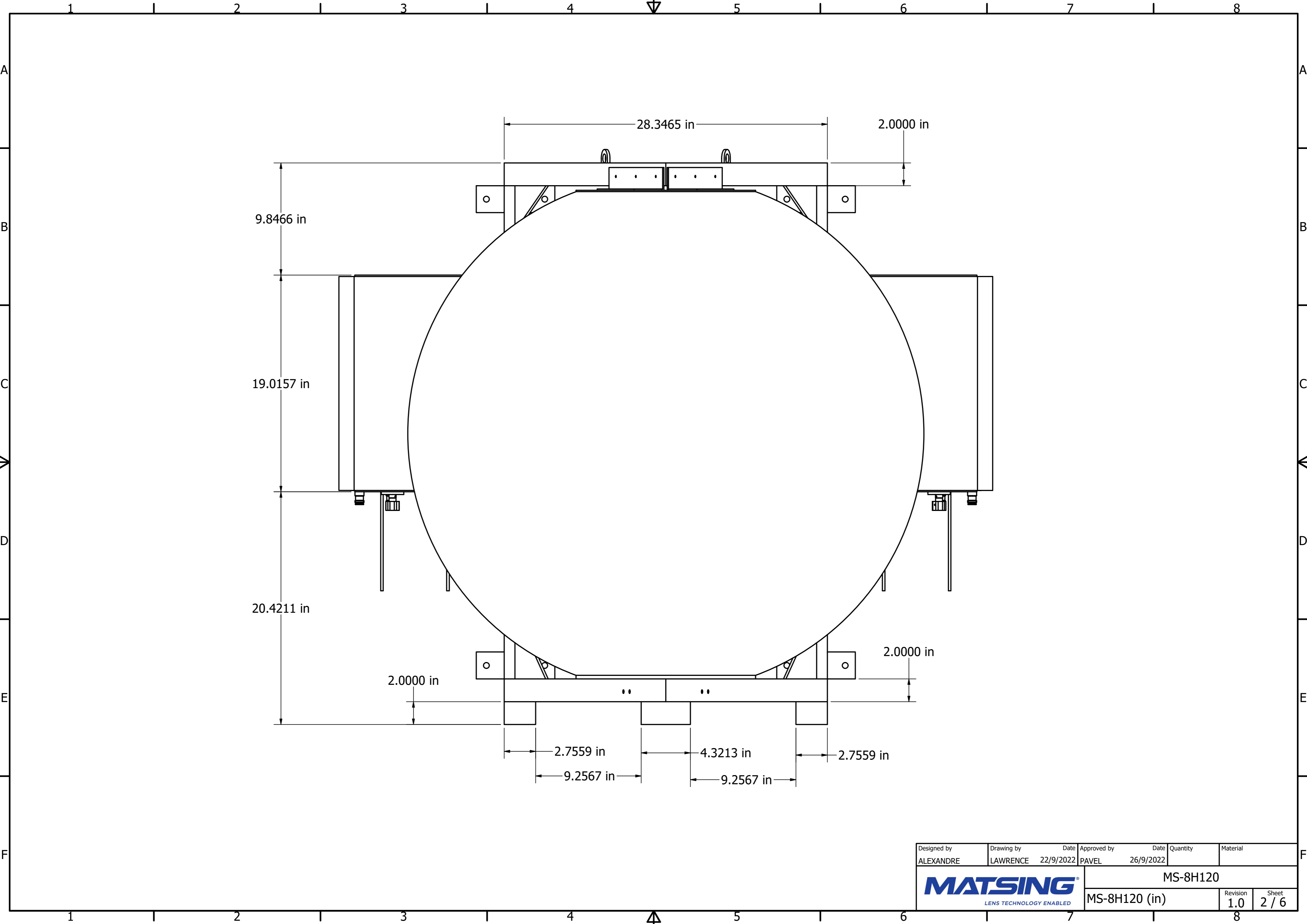

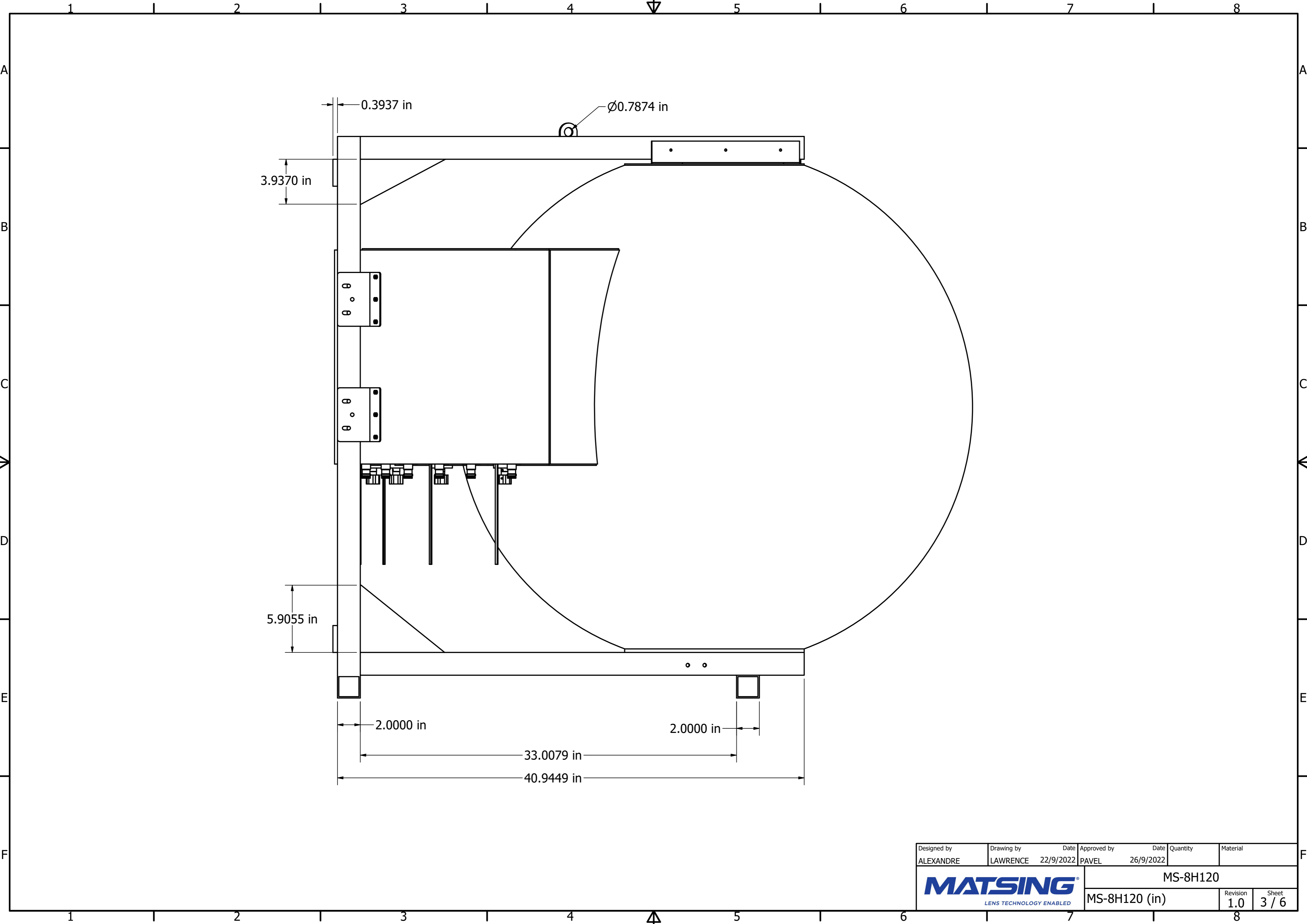


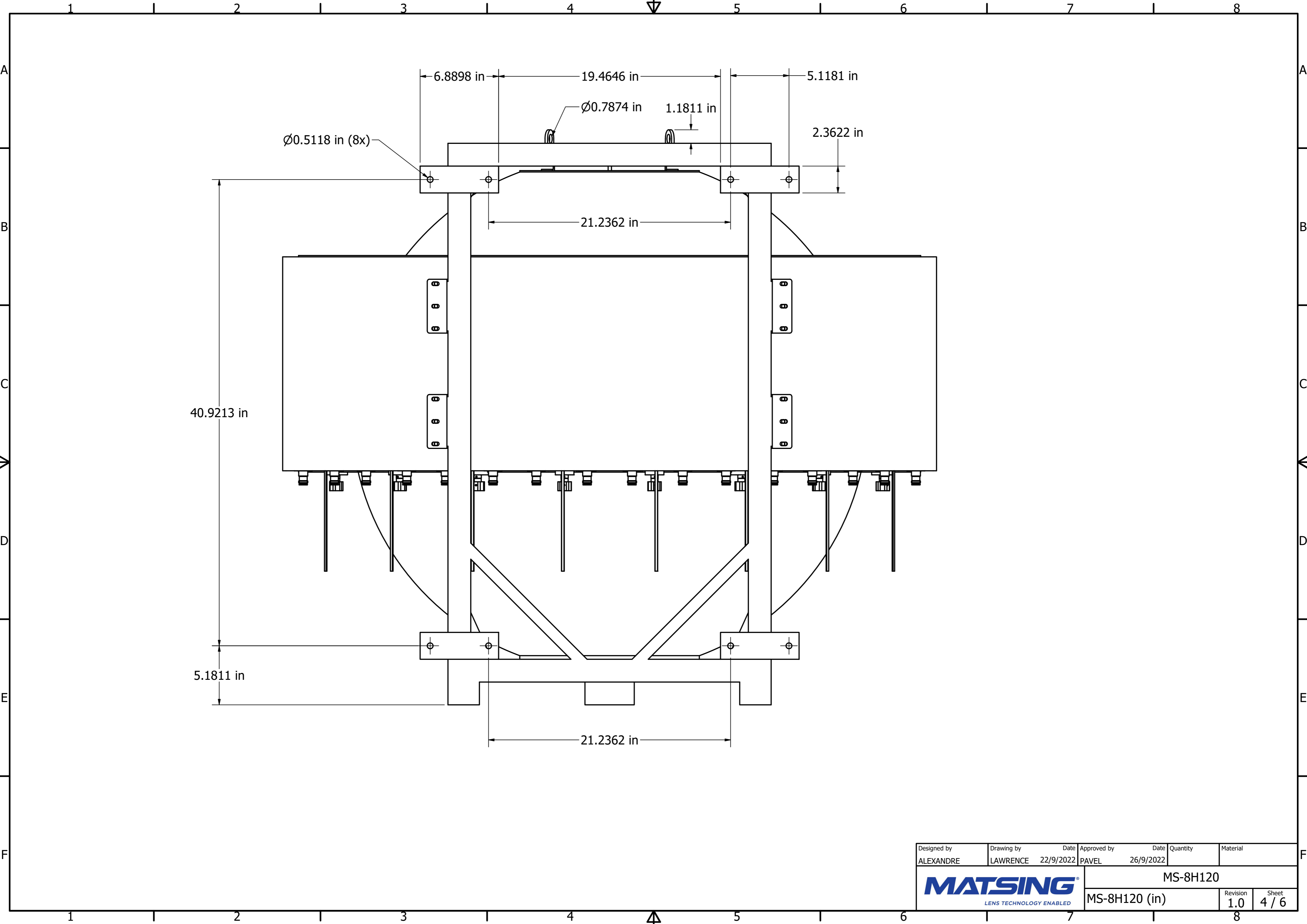
Designed by	Drawing by	Date	Approved by	Date	Quantity	Material
ALEXANDRE	LAWRENCE	22/9/2022	PAVEL	26/9/2022		
<b>MATSING</b> LENS TECHNOLOGY ENABLED						MS-8H120
						MS-8H120 (in)
						Revision 1.0
						Sheet 1 / 6



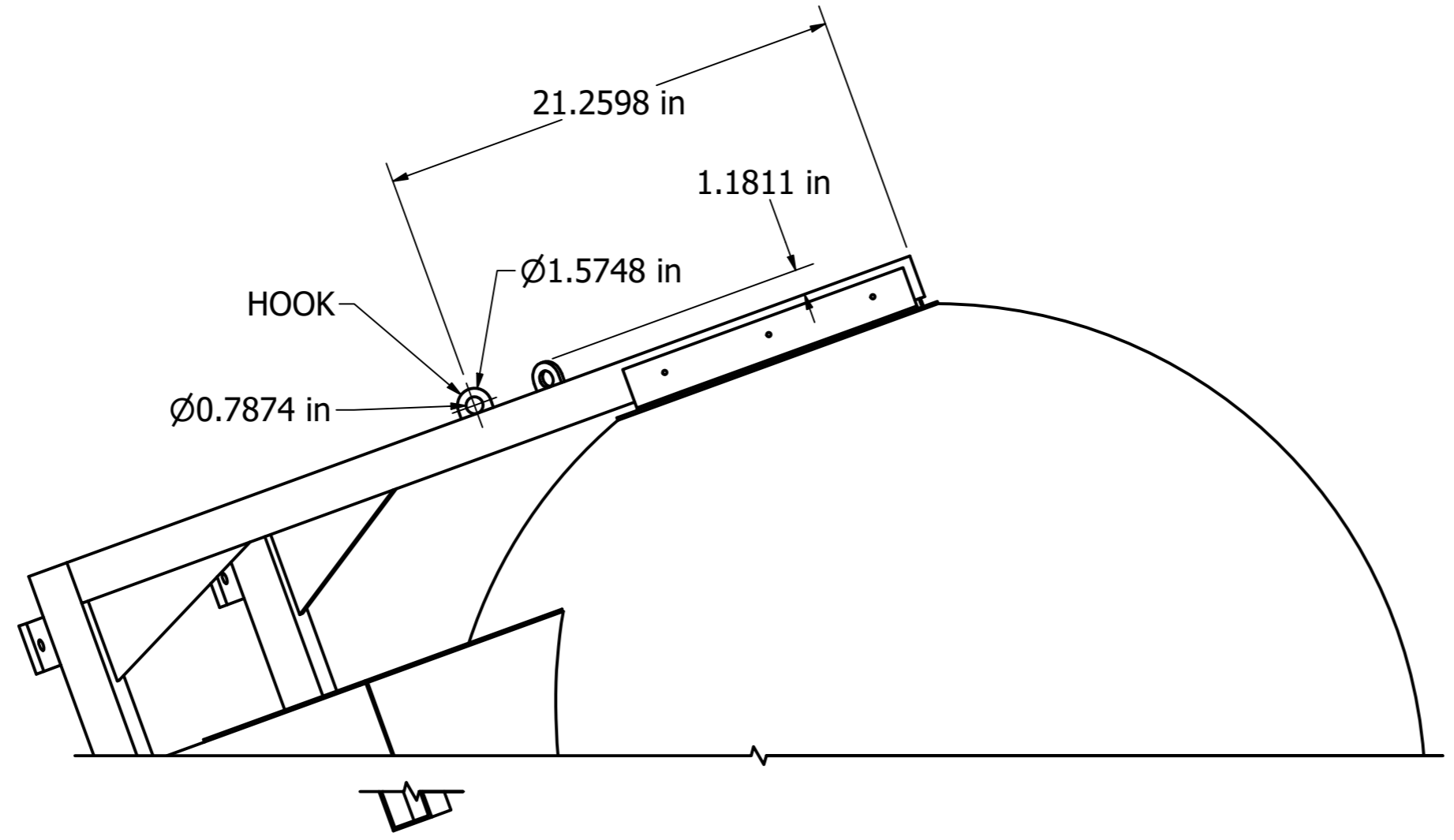
Designed by ALEXANDRE	Drawing by LAWRENCE	Date 22/9/2022	Approved by PAVEL	Date 26/9/2022	Quantity	Material
 <b>MATSING</b> <small>LENS TECHNOLOGY ENABLED</small>						MS-8H120
						MS-8H120 (in)



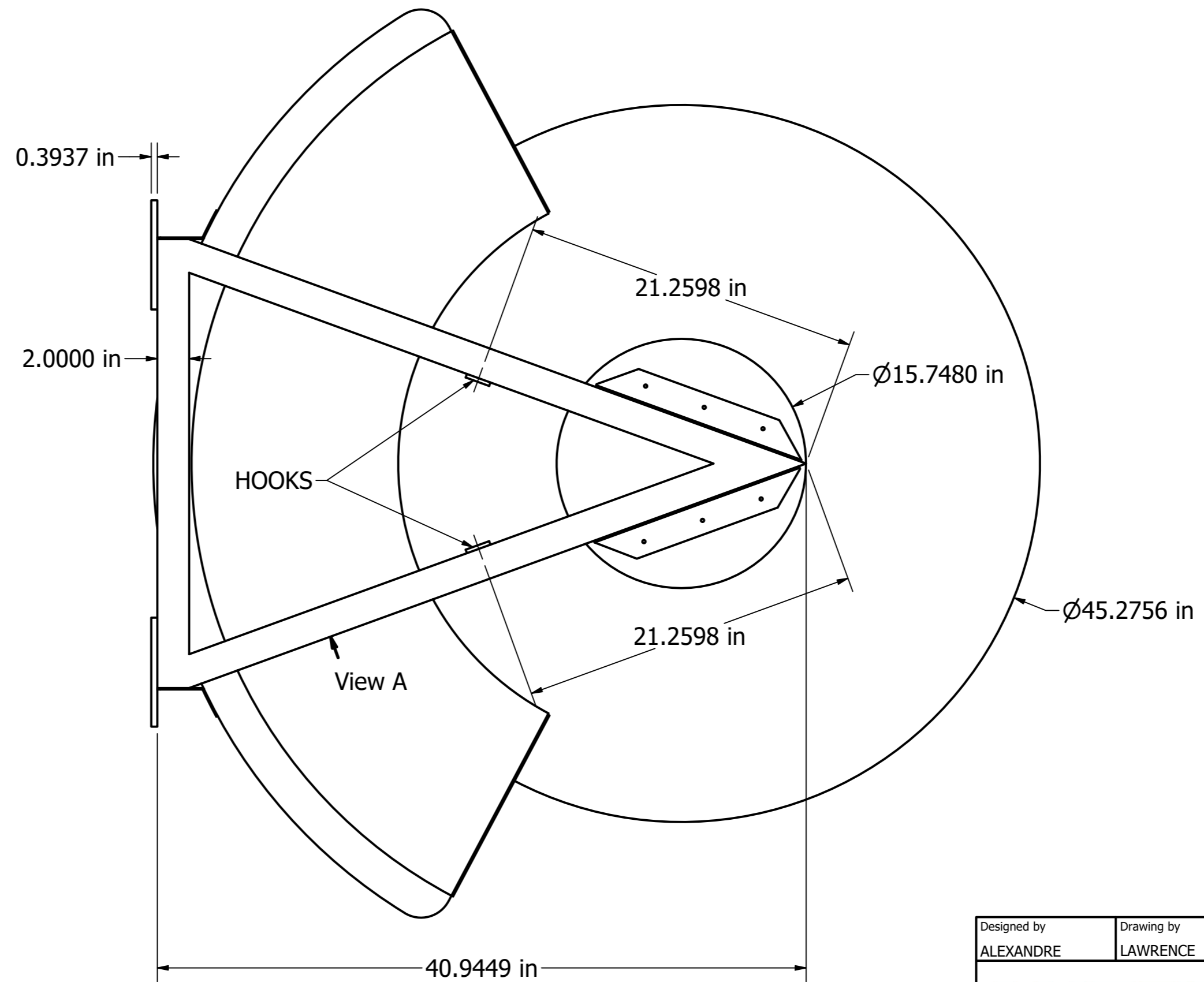
Designed by ALEXANDRE	Drawing by LAWRENCE	Date 22/9/2022	Approved by PAVEL	Date 26/9/2022	Quantity	Material
<b>MATSING</b> LENS TECHNOLOGY ENABLED						MS-8H120
MS-8H120 (in)					Revision 1.0	Sheet 3 / 6



Designed by ALEXANDRE	Drawing by LAWRENCE	Date 22/9/2022	Approved by PAVEL	Date 26/9/2022	Quantity	Material
<b>MATSING</b> LENS TECHNOLOGY ENABLED						MS-8H120
MS-8H120 (in)					Revision 1.0	Sheet 4 / 6

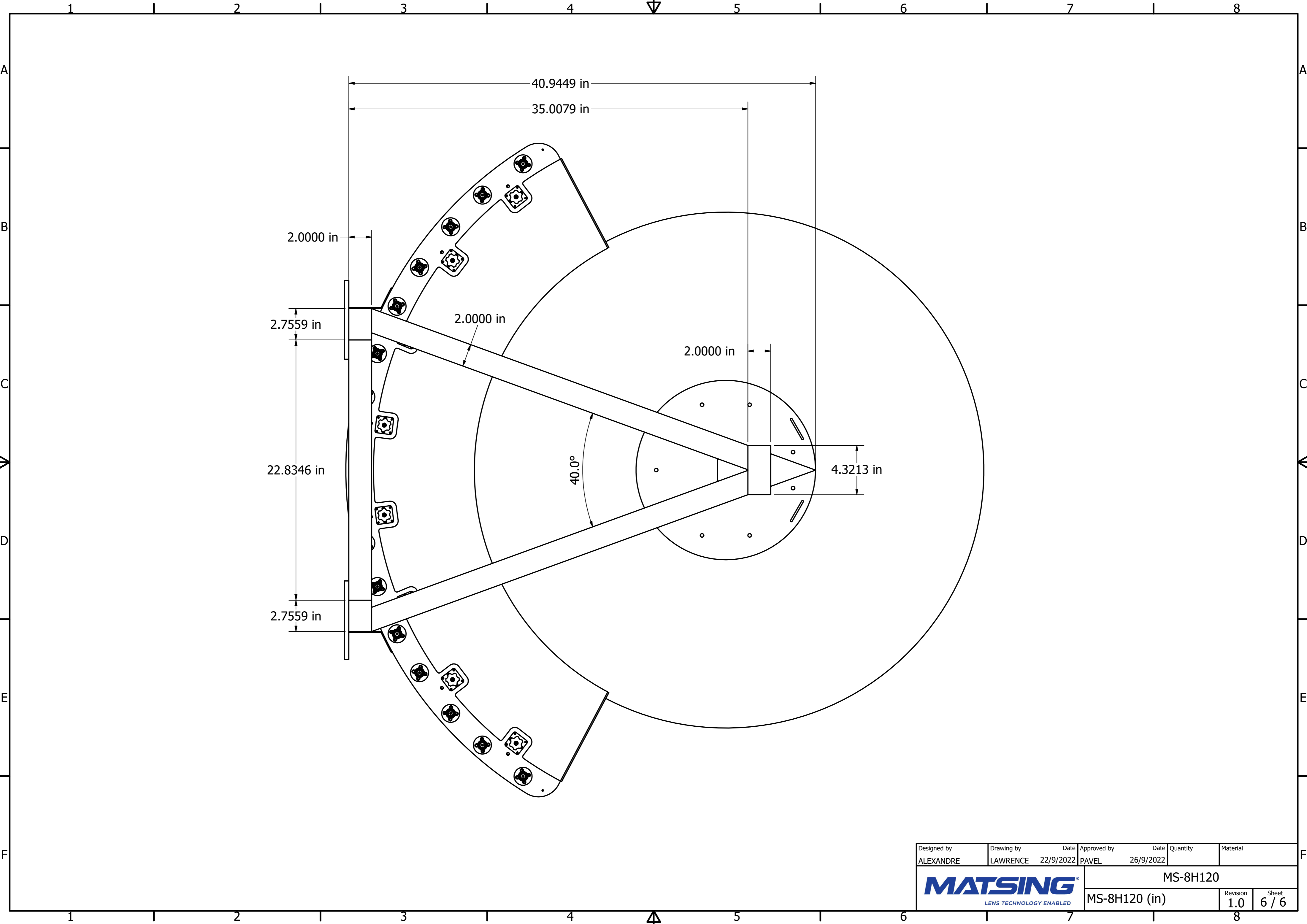


View A



View A

Designed by	Drawing by	Date	Approved by	Date	Quantity	Material
ALEXANDRE	LAWRENCE	22/9/2022	PAVEL	26/9/2022		
<b>MATSING</b> LENS TECHNOLOGY ENABLED						MS-8H120
						MS-8H120 (in)
					Revision	Sheet
					1.0	5 / 6



Designed by ALEXANDRE	Drawing by LAWRENCE	Date 22/9/2022	Approved by PAVEL	Date 26/9/2022	Quantity	Material
<b>MATSING</b> LENS TECHNOLOGY ENABLED						MS-8H120
MS-8H120 (in)					Revision 1.0	Sheet 6 / 6