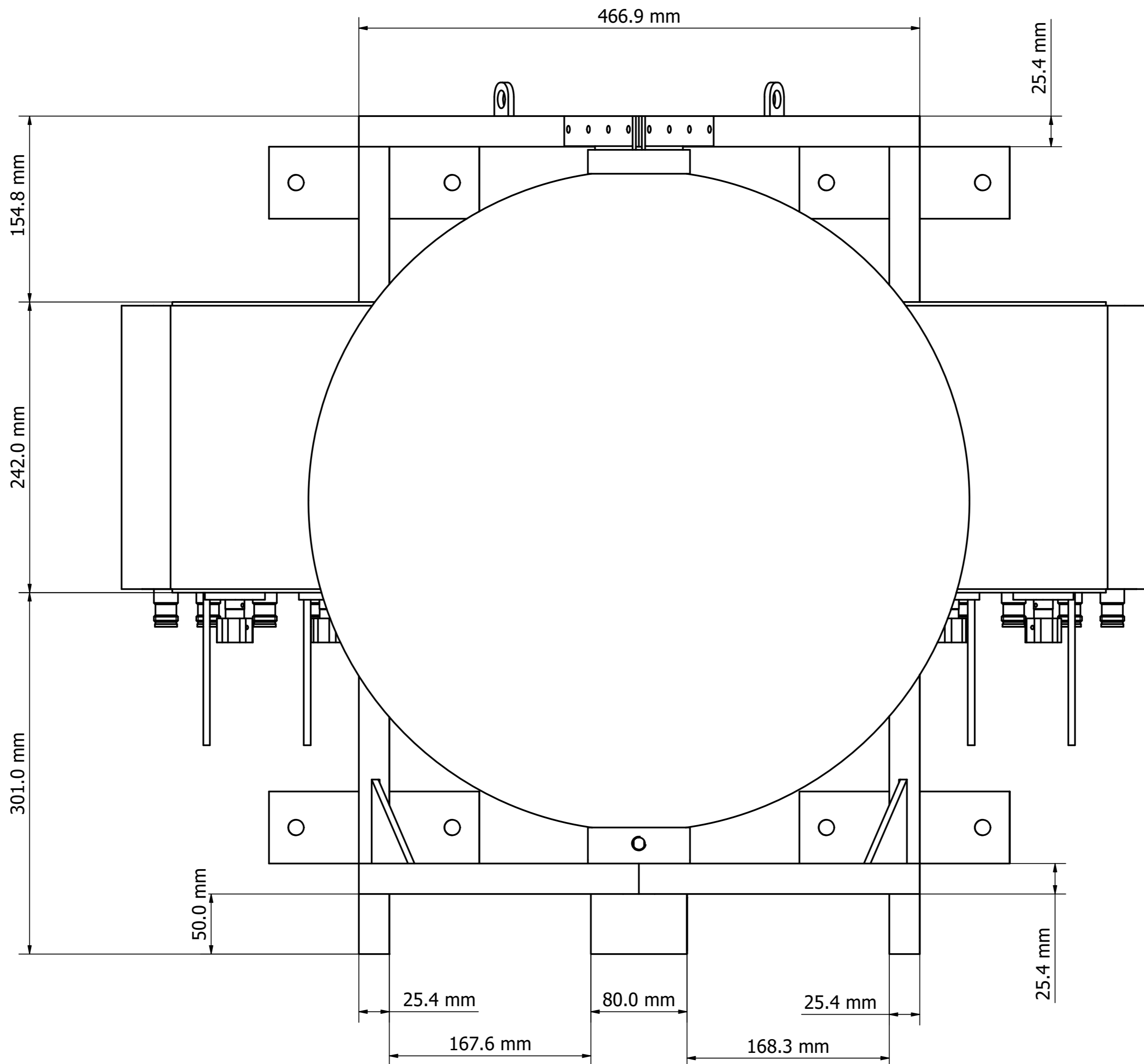
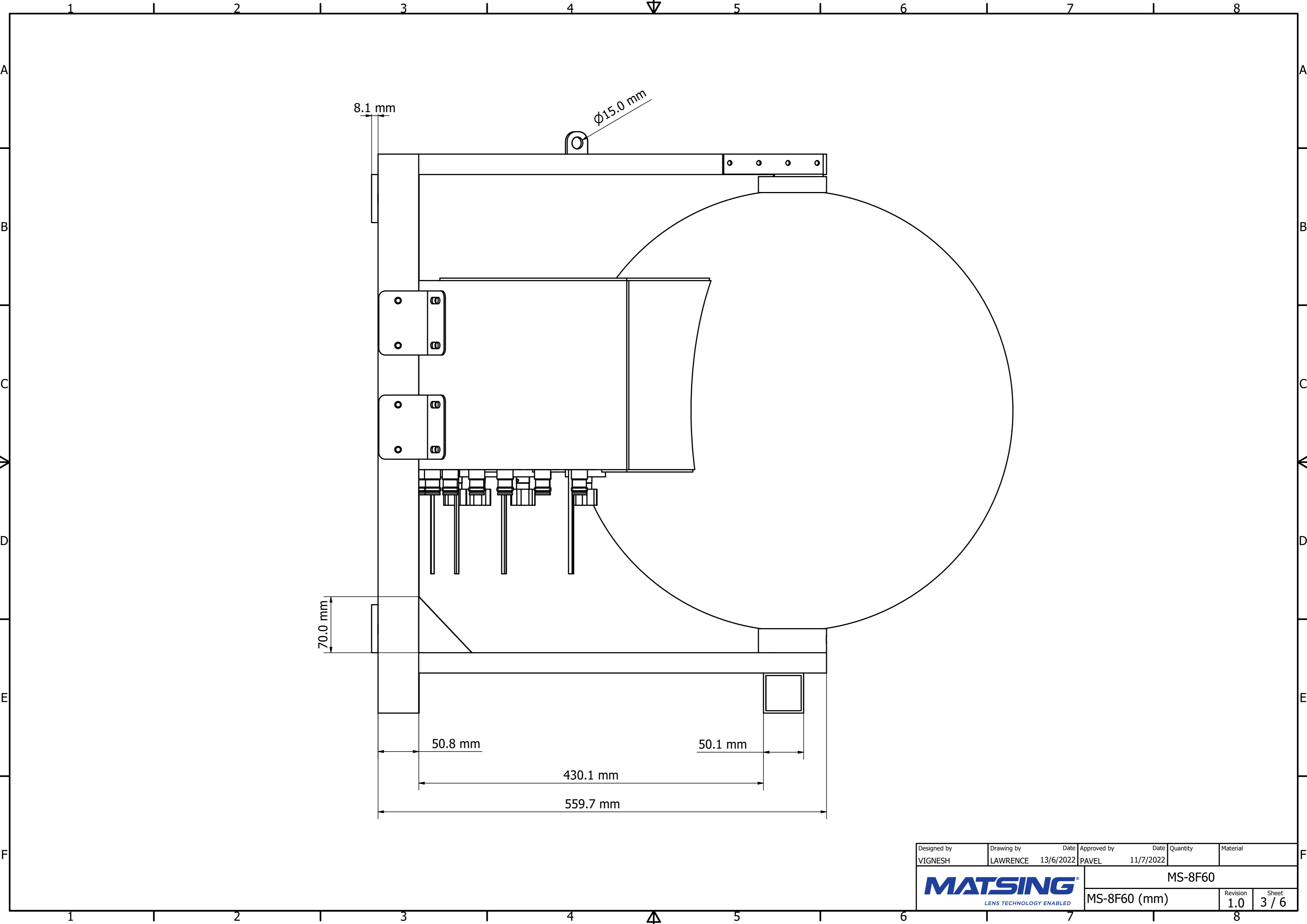


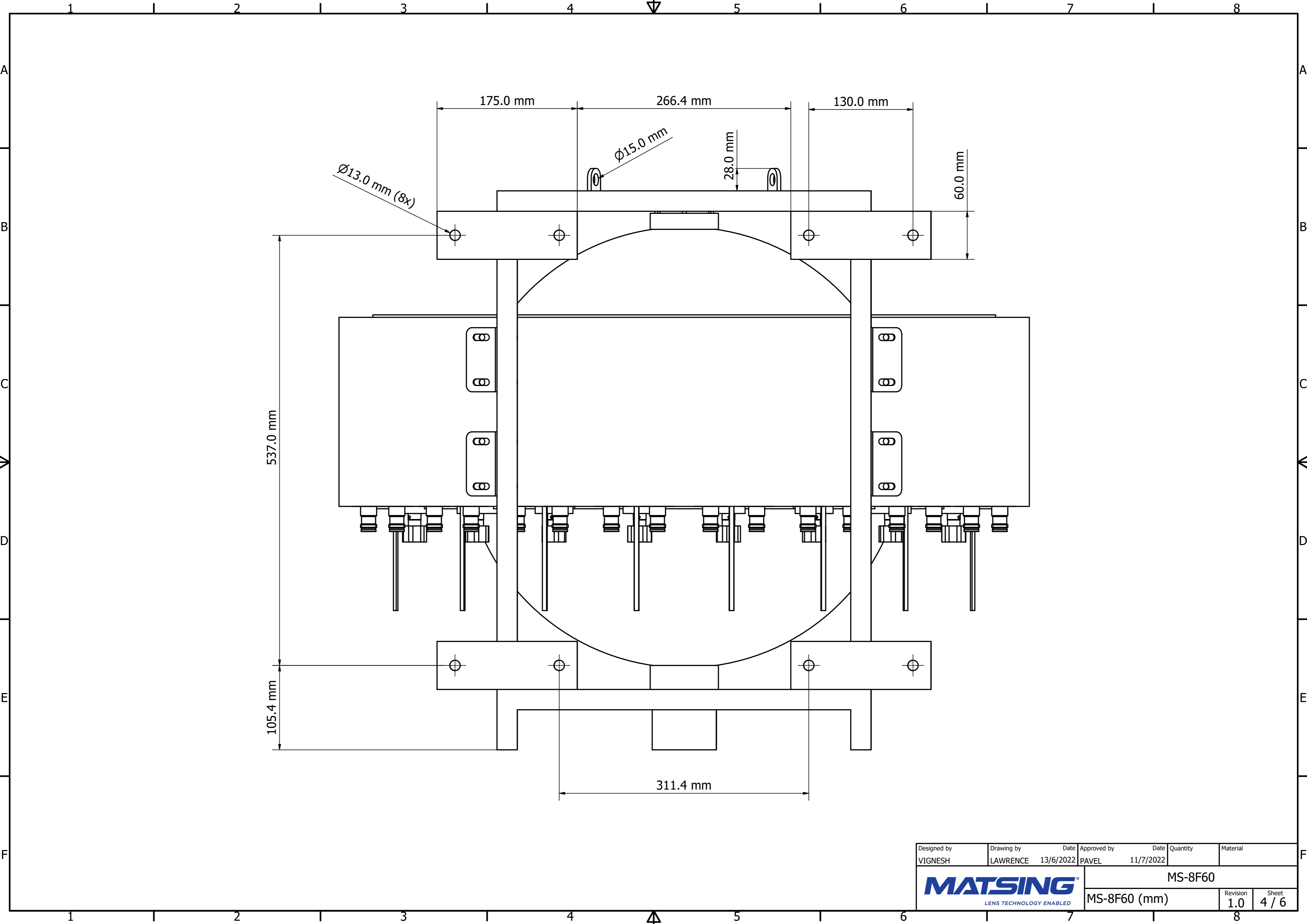
| | | | | | | |
|---|------------------------|-------------------|----------------------|-------------------|-----------------|----------------|
| Designed by VIGNESH | Drawing by LAWRENCE | Date 13/6/2022 | Approved by PAVEL | Date 11/7/2022 | Quantity | Material |
| MATSING LENS TECHNOLOGY ENABLED | | | | | | MS-8F60 |
| MS-8F60 (mm) | | | | | Revision 1.0 | Sheet 1 / 6 |



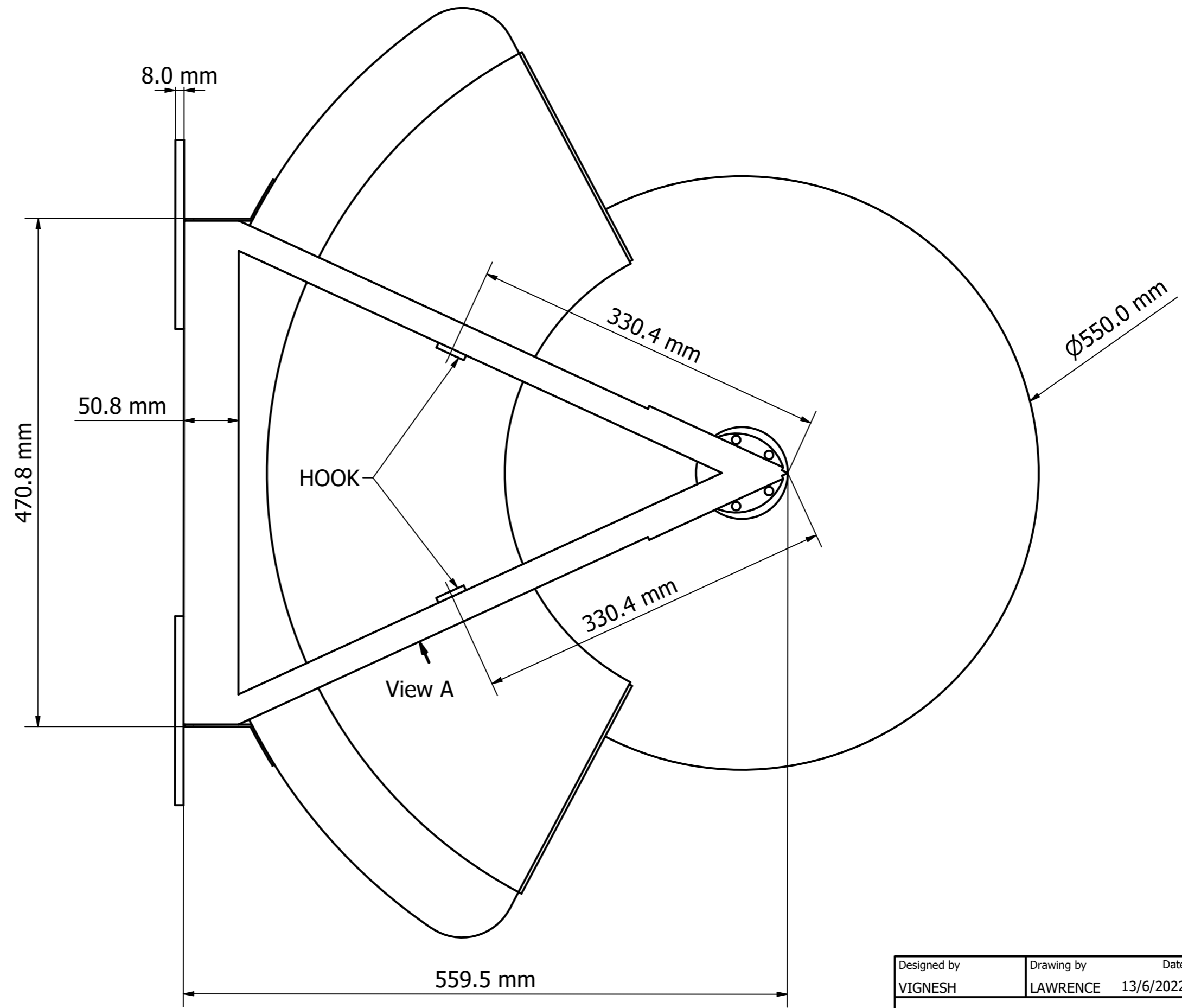
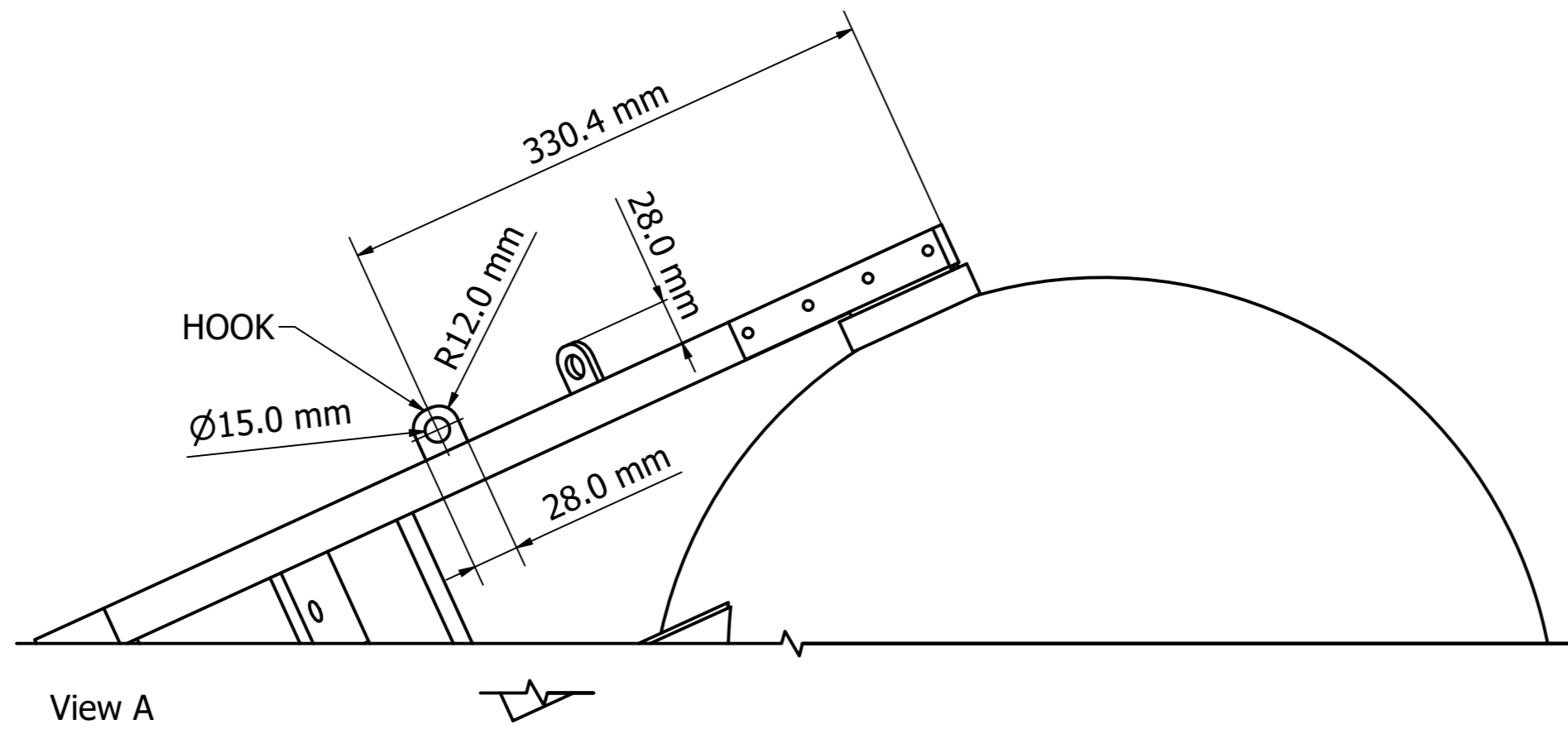
| | | | | | | |
|---|------------------------|-------------------|----------------------|-------------------|-----------------|----------------|
| Designed by VIGNESH | Drawing by LAWRENCE | Date 13/6/2022 | Approved by PAVEL | Date 11/7/2022 | Quantity | Material |
| MATSING LENS TECHNOLOGY ENABLED | | | | | | MS-8F60 |
| MS-8F60 (mm) | | | | | Revision 1.0 | Sheet 2 / 6 |



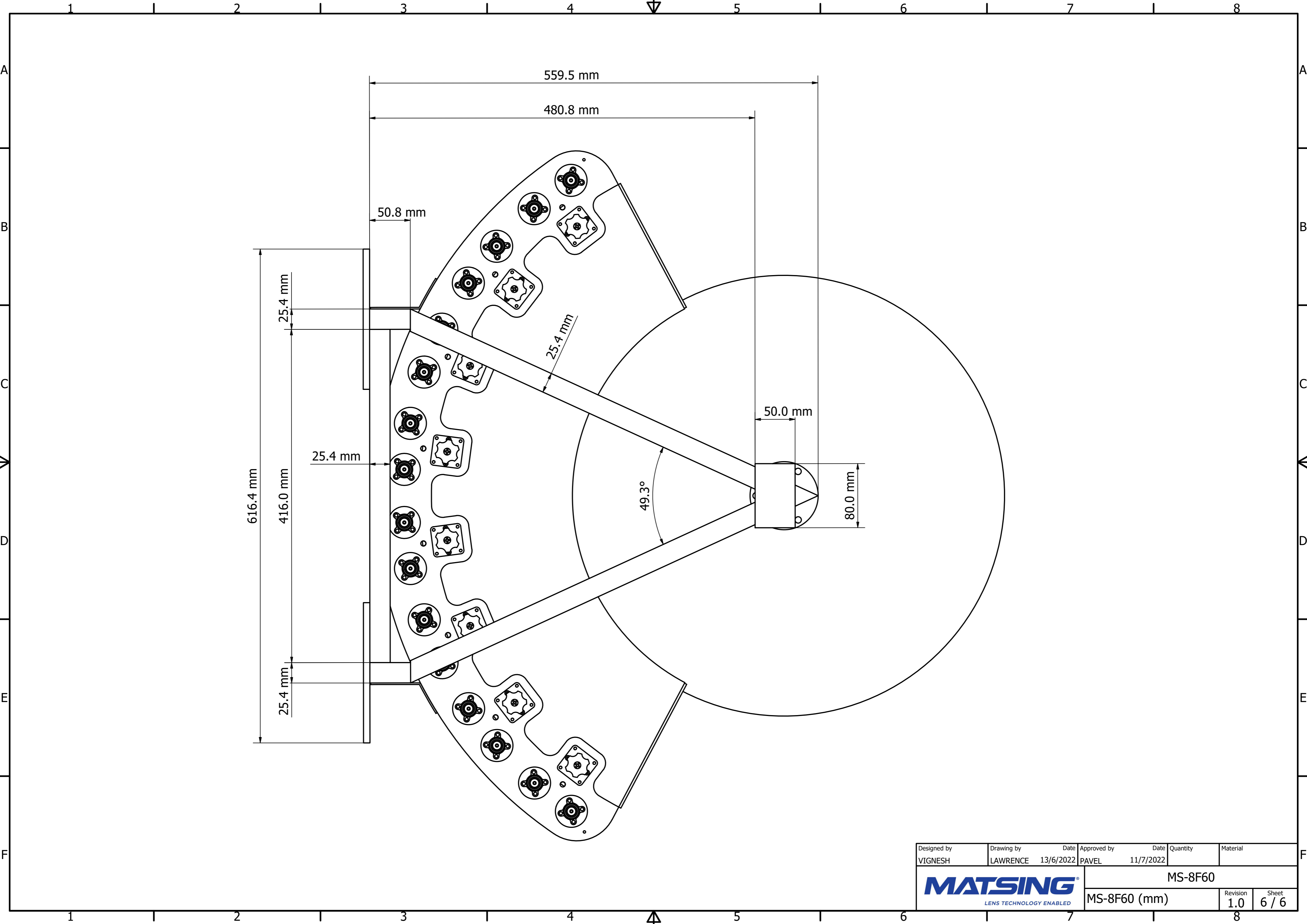
| | | | | | | |
|---|------------------------|-------------------|----------------------|-------------------|-----------------|----------------|
| Designed by VIGNESH | Drawing by LAWRENCE | Date 13/6/2022 | Approved by PAVEL | Date 11/7/2022 | Quantity | Material |
| MATSING LENS TECHNOLOGY ENABLED | | | | | | MS-8F60 |
| MS-8F60 (mm) | | | | | Revision 1.0 | Sheet 3 / 6 |



| | | | | | | |
|------------------------|------------------------|-------------------|----------------------|-------------------|--------------|----------|
| Designed by VIGNESH | Drawing by LAWRENCE | Date 13/6/2022 | Approved by PAVEL | Date 11/7/2022 | Quantity | Material |
| | | | | | MS-8F60 | |
| | | | | | MS-8F60 (mm) | |



| | | | | | | |
|---|------------------------|-------------------|----------------------|-------------------|-----------------|----------------|
| Designed by VIGNESH | Drawing by LAWRENCE | Date 13/6/2022 | Approved by PAVEL | Date 11/7/2022 | Quantity | Material |
| MATSING LENS TECHNOLOGY ENABLED | | | | | | MS-8F60 |
| | | | | | Revision 1.0 | Sheet 5 / 6 |



| | | | | | | |
|---|------------------------|-------------------|----------------------|-------------------|-----------------|----------------|
| Designed by VIGNESH | Drawing by LAWRENCE | Date 13/6/2022 | Approved by PAVEL | Date 11/7/2022 | Quantity | Material |
| MATSING LENS TECHNOLOGY ENABLED | | | | | | MS-8F60 |
| MS-8F60 (mm) | | | | | Revision 1.0 | Sheet 6 / 6 |