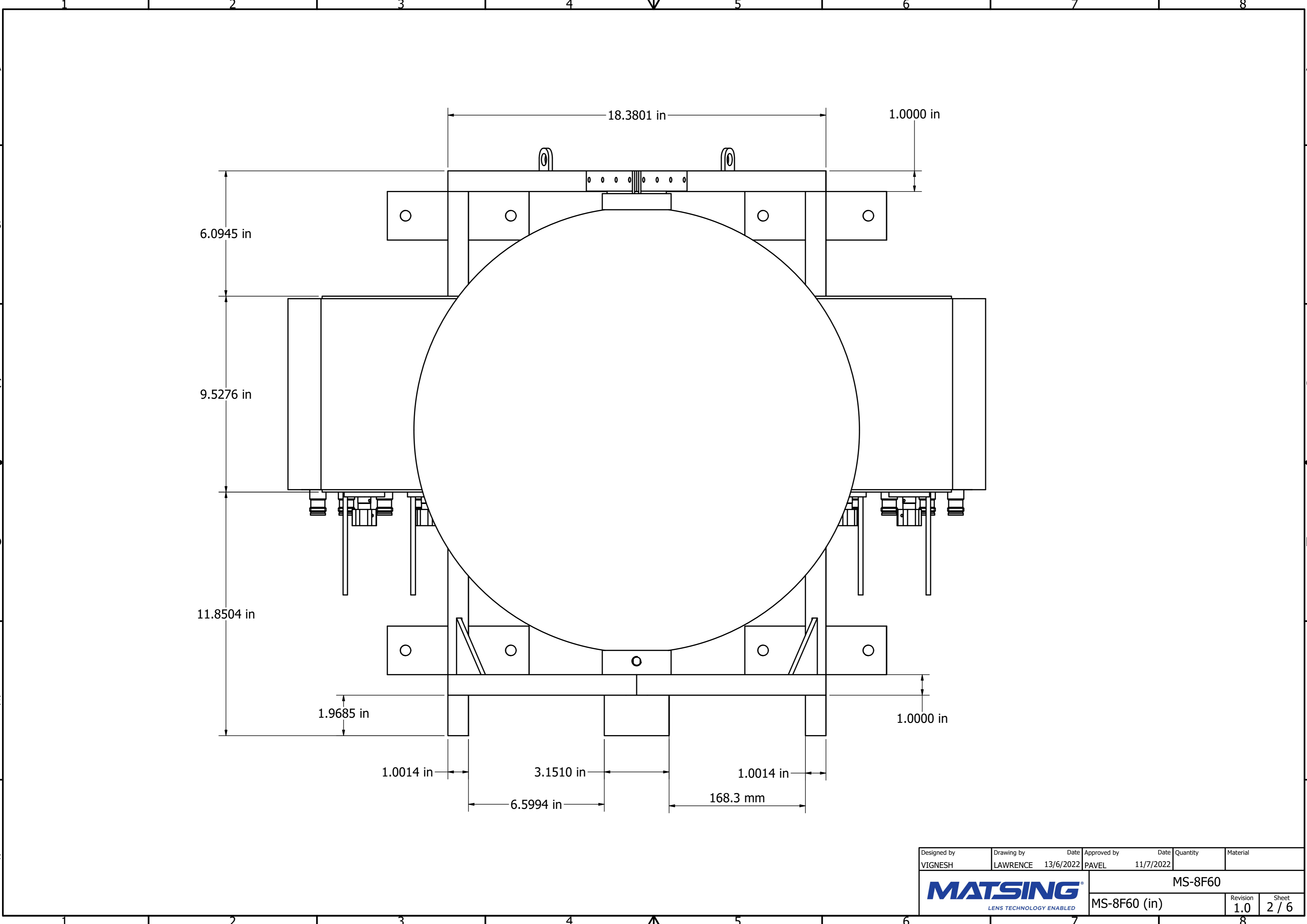

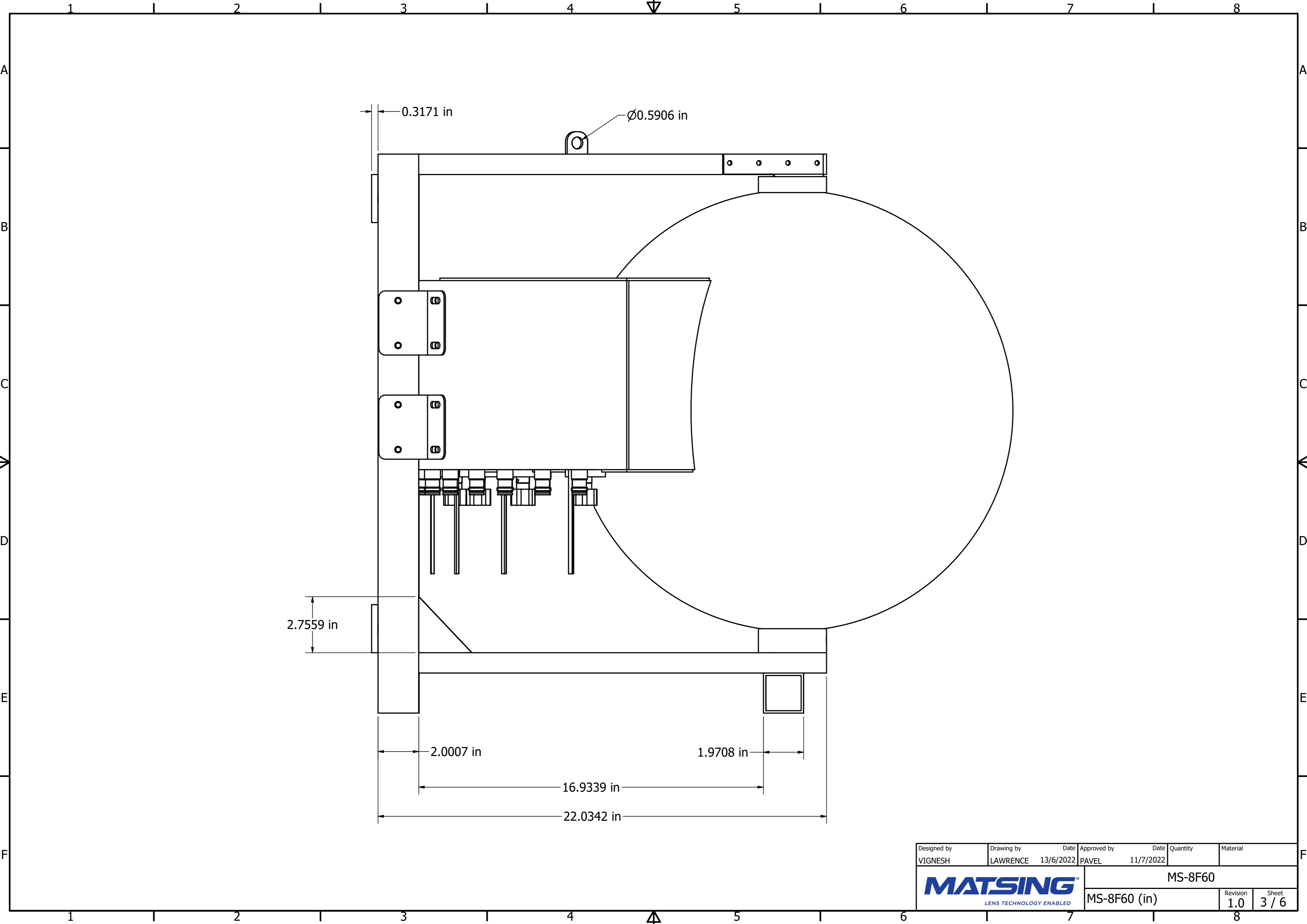



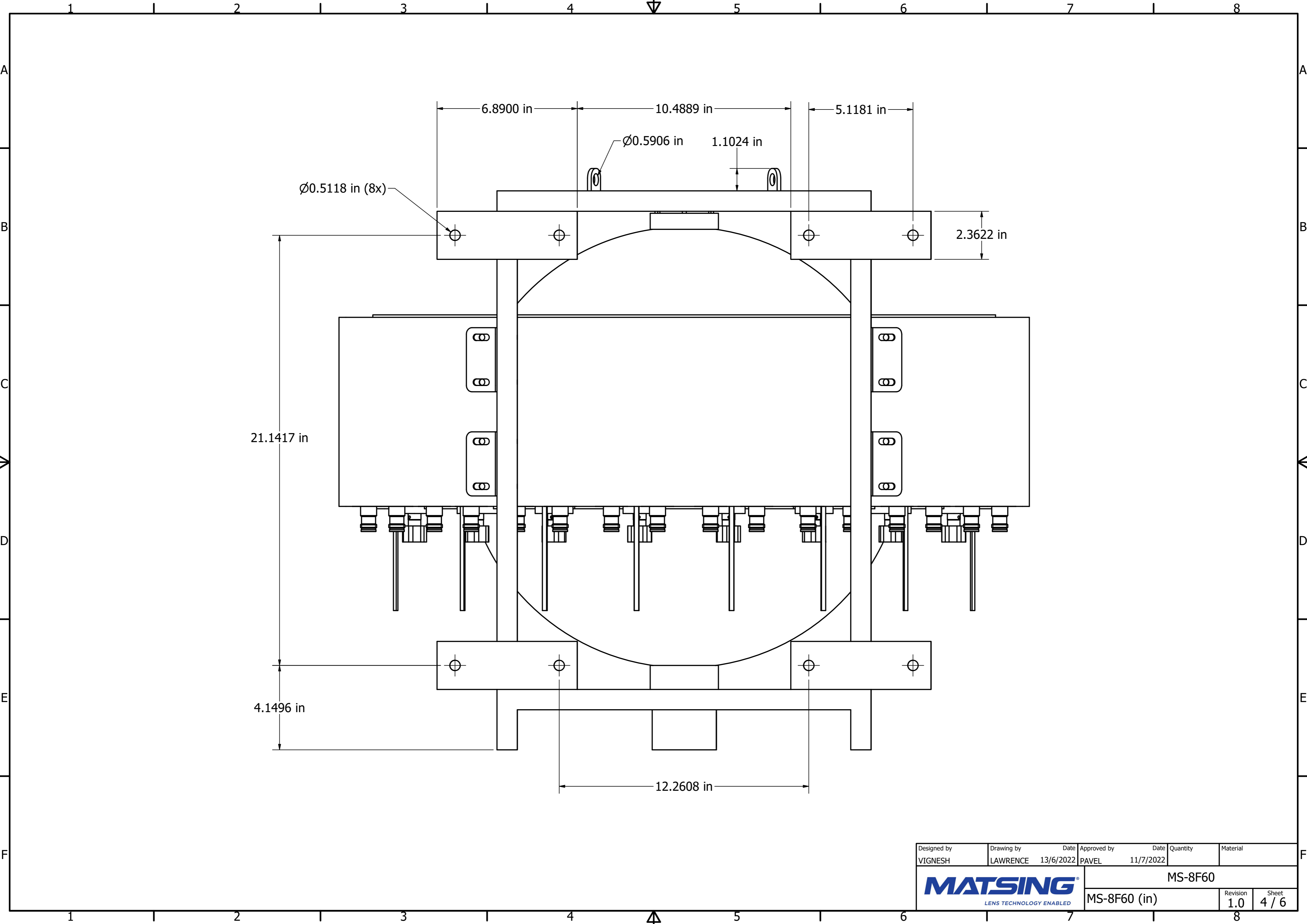
Designed by VIGNESH	Drawing by LAWRENCE	Date 13/6/2022	Approved by PAVEL	Date 11/7/2022	Quantity	Material
MATSING LENS TECHNOLOGY ENABLED						MS-8F60
MS-8F60 (in)					Revision 1.0	Sheet 1 / 6




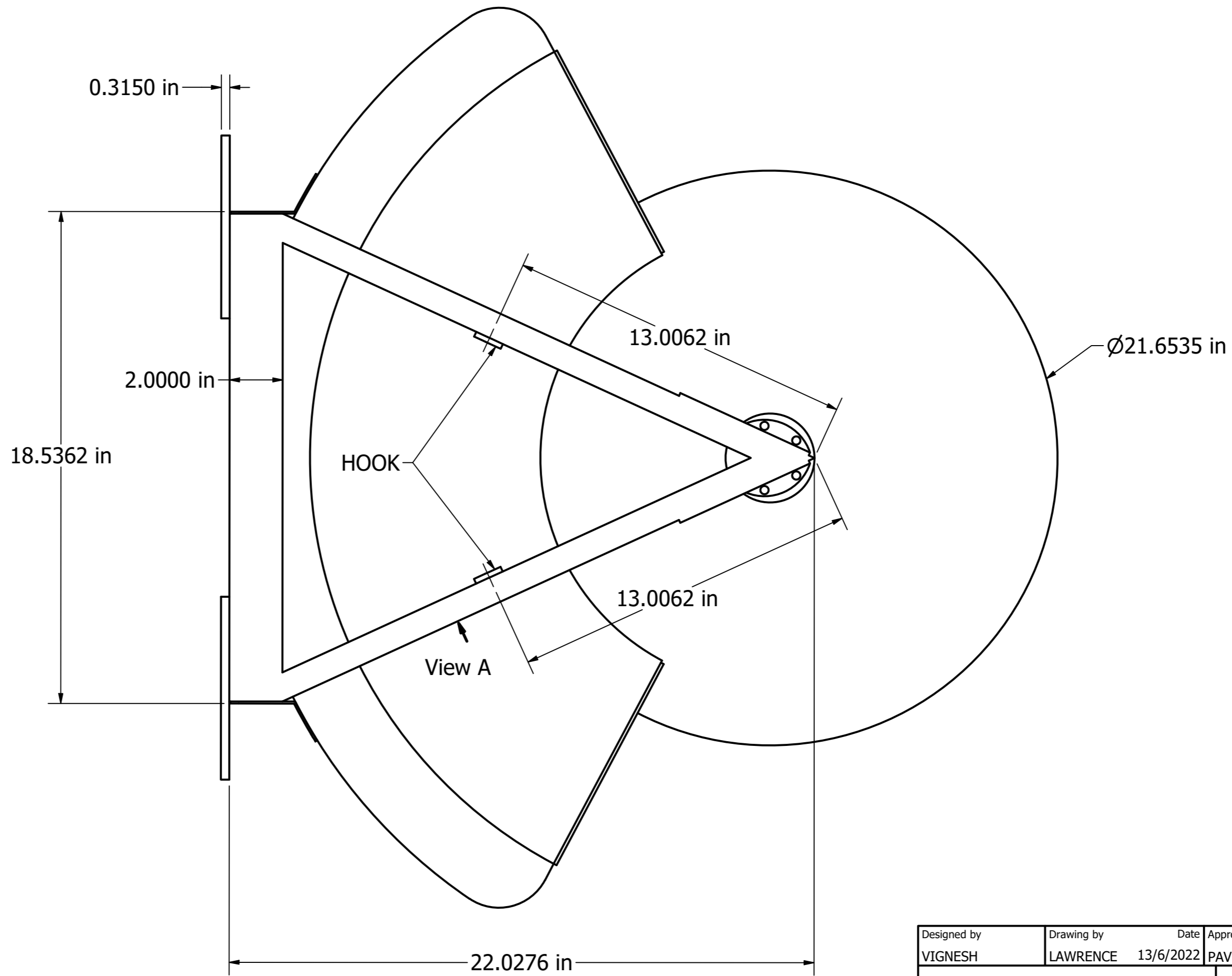
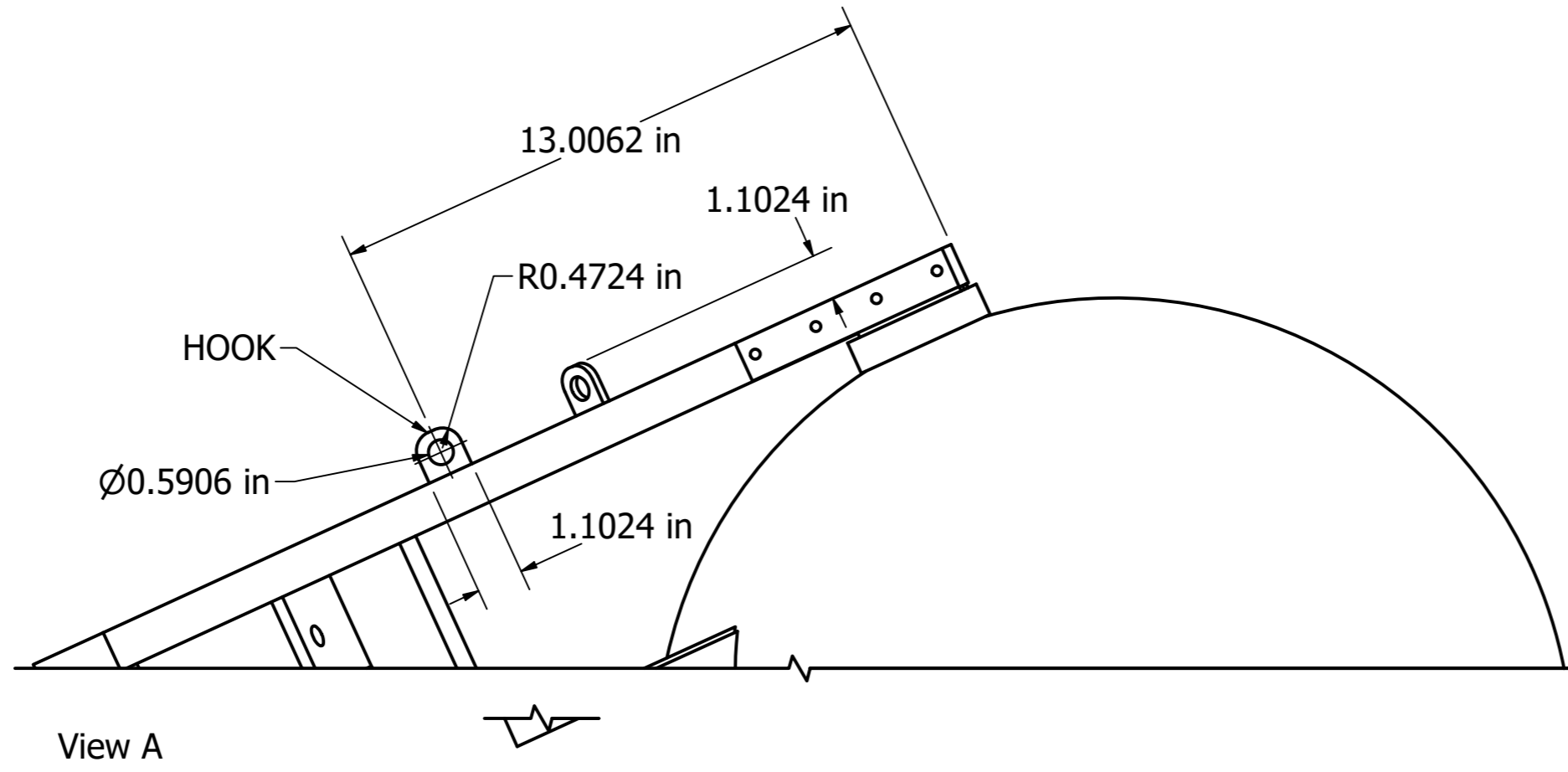
Designed by VIGNESH	Drawing by LAWRENCE	Date 13/6/2022	Approved by PAVEL	Date 11/7/2022	Quantity	Material
 MATSING <small>LENS TECHNOLOGY ENABLED</small>					MS-8F60	
					MS-8F60 (in)	Revision 1.0



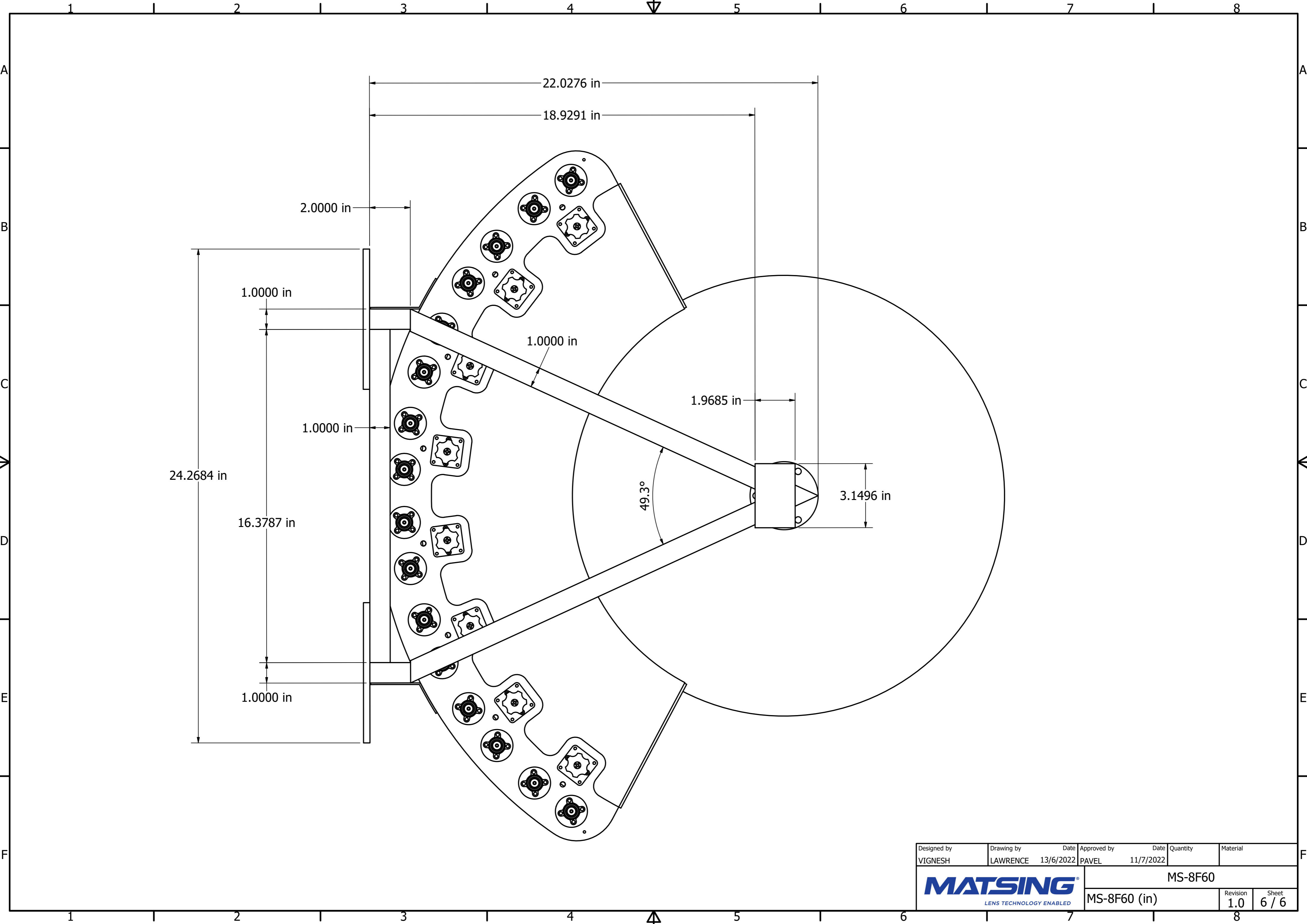
Designed by VIGNESH	Drawing by LAWRENCE	Date 13/6/2022	Approved by PAVEL	Date 11/7/2022	Quantity	Material
 MATSING <small>LENS TECHNOLOGY ENABLED</small>					MS-8F60	
					MS-8F60 (in)	Revision 1.0




Designed by VIGNESH	Drawing by LAWRENCE	Date 13/6/2022	Approved by PAVEL	Date 11/7/2022	Quantity	Material
 MATSING <small>LENS TECHNOLOGY ENABLED</small>					MS-8F60	
					MS-8F60 (in)	Revision 1.0



Designed by VIGNESH	Drawing by LAWRENCE	Date 13/6/2022	Approved by PAVEL	Date 11/7/2022	Quantity	Material
MATSING LENS TECHNOLOGY ENABLED						MS-8F60
MS-8F60 (in)					Revision 1.0	Sheet 5 / 6



Designed by VIGNESH	Drawing by LAWRENCE	Date 13/6/2022	Approved by PAVEL	Date 11/7/2022	Quantity	Material
					MS-8F60	
					MS-8F60 (in)	Revision 1.0