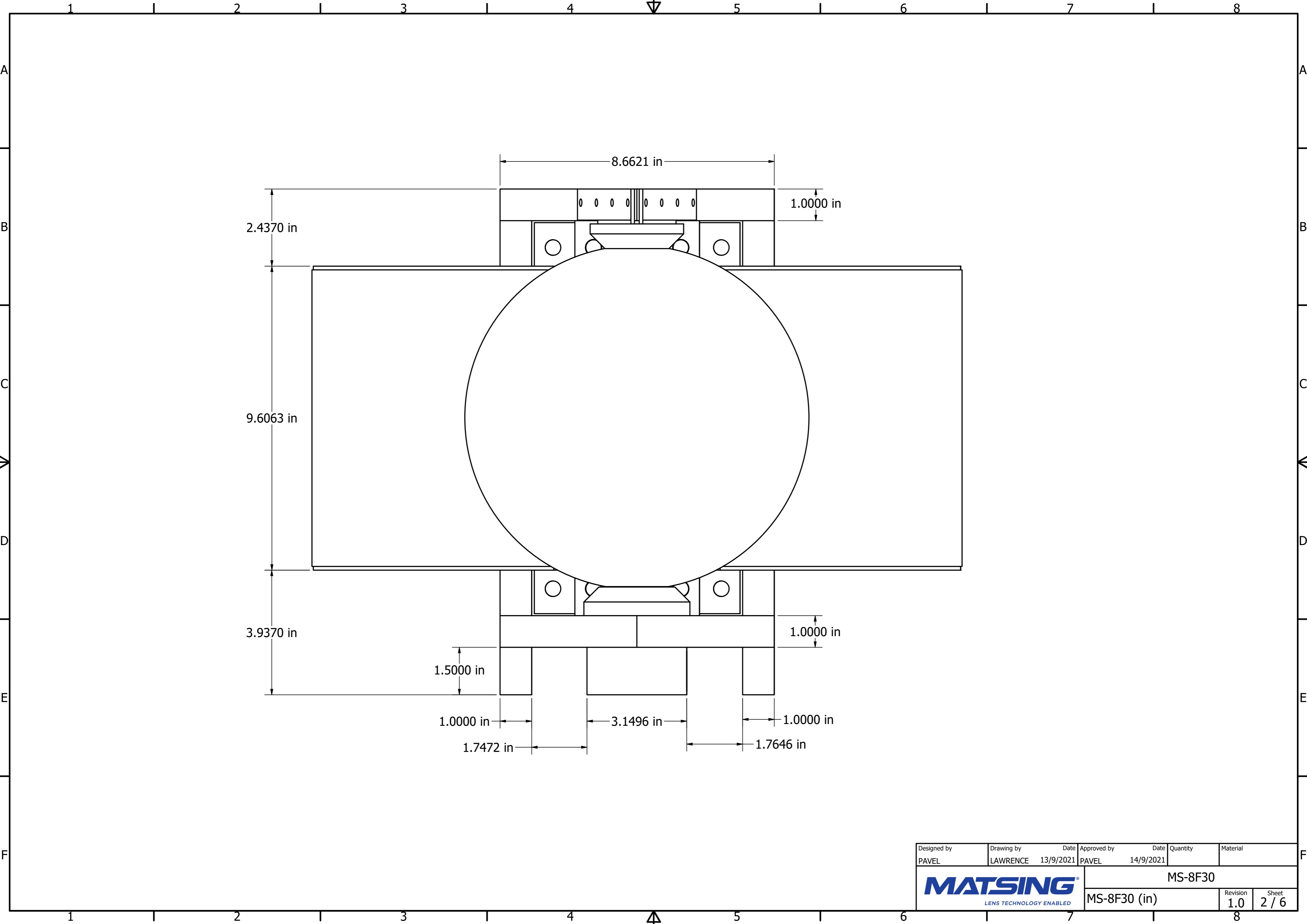

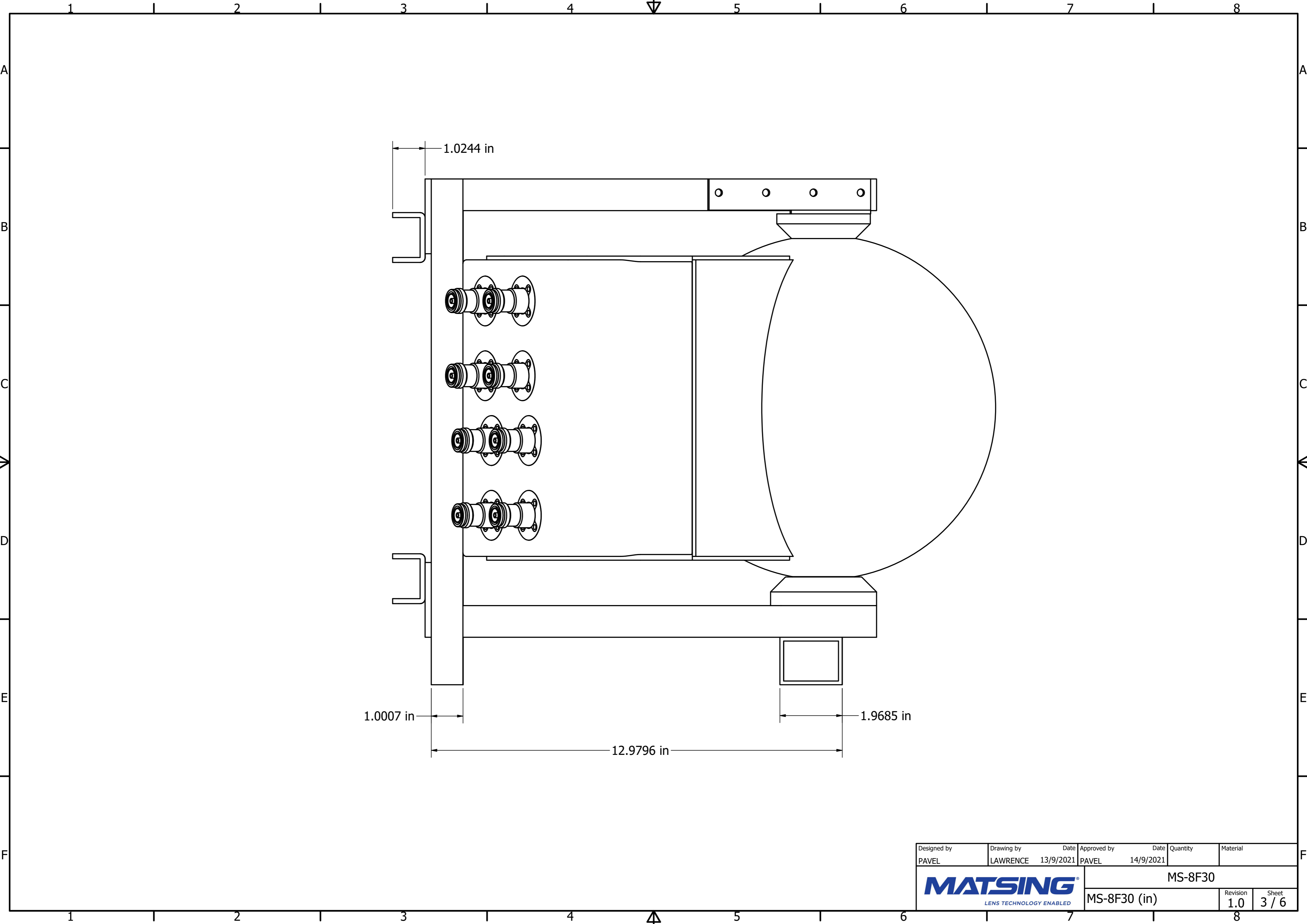



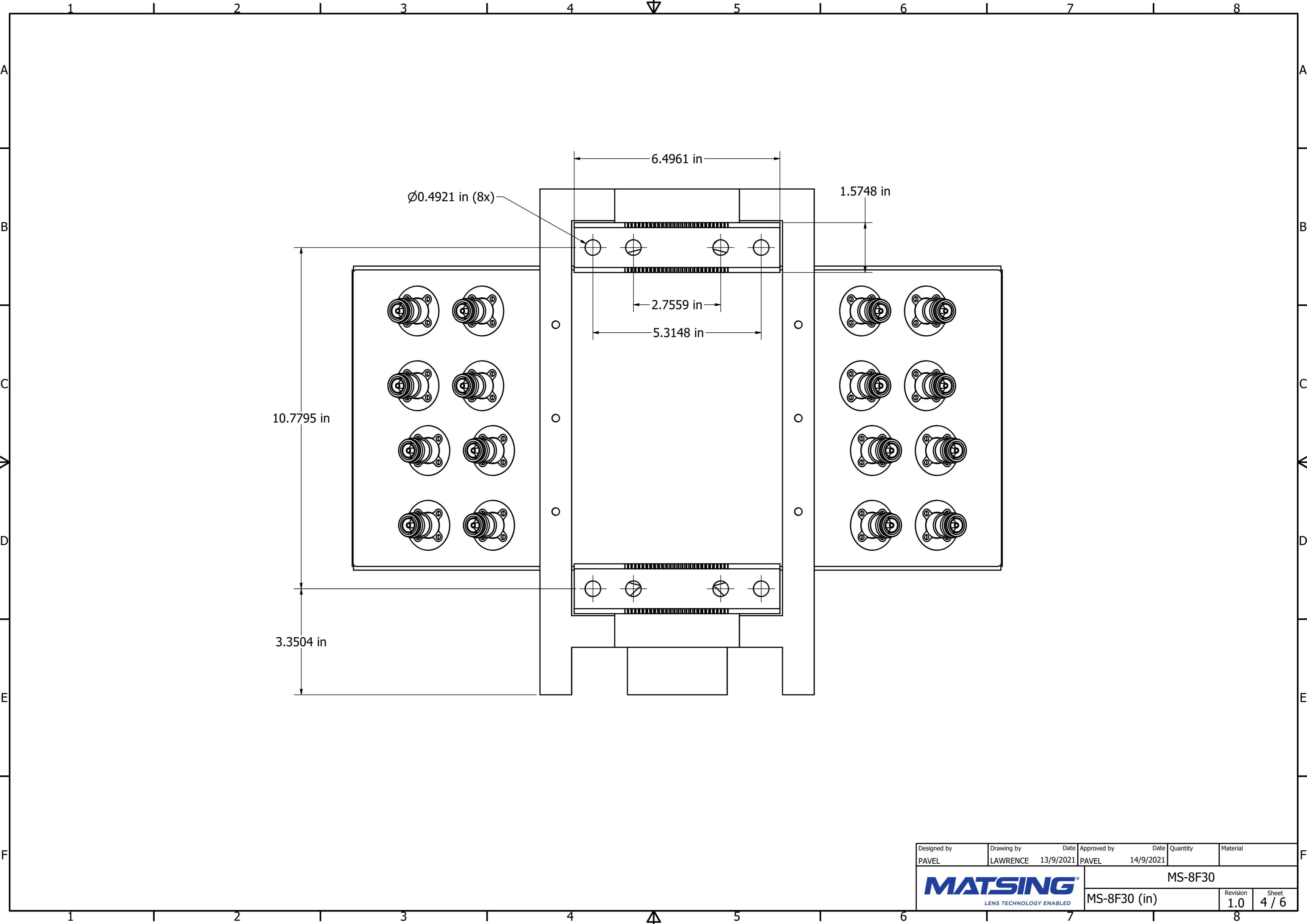
Designed by	Drawing by	Date	Approved by	Date	Quantity	Material	
PAVEL	LAWRENCE	13/9/2021	PAVEL	14/9/2021			
<b>MATSING</b> LENS TECHNOLOGY ENABLED						MS-8F30	
MS-8F30 (in)						Revision 1.0	Sheet 1 / 6



Designed by PAVEL	Drawing by LAWRENCE	Date 13/9/2021	Approved by PAVEL	Date 14/9/2021	Quantity	Material
					MS-8F30	
					MS-8F30 (in)	Revision 1.0



Designed by PAVEL	Drawing by LAWRENCE	Date 13/9/2021	Approved by PAVEL	Date 14/9/2021	Quantity	Material
						MS-8F30
						MS-8F30 (in)



$\varnothing 0.4921$  in (8x)

6.4961 in


1.5748 in

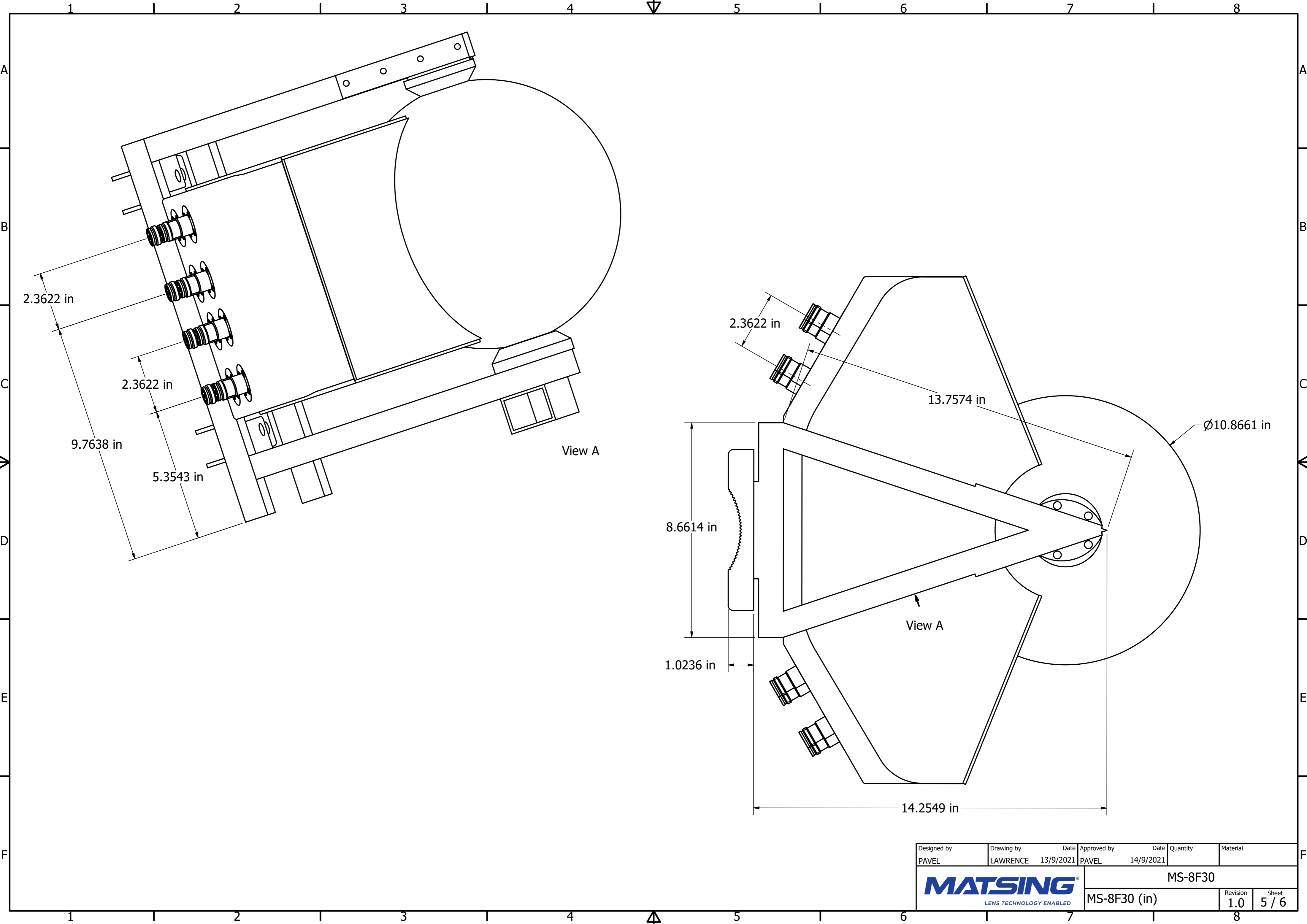
10.7795 in

2.7559 in

5.3148 in

3.3504 in

Designed by PAVEL	Drawing by LAWRENCE	Date 13/9/2021	Approved by PAVEL	Date 14/9/2021	Quantity	Material
					MS-8F30	
					MS-8F30 (in)	



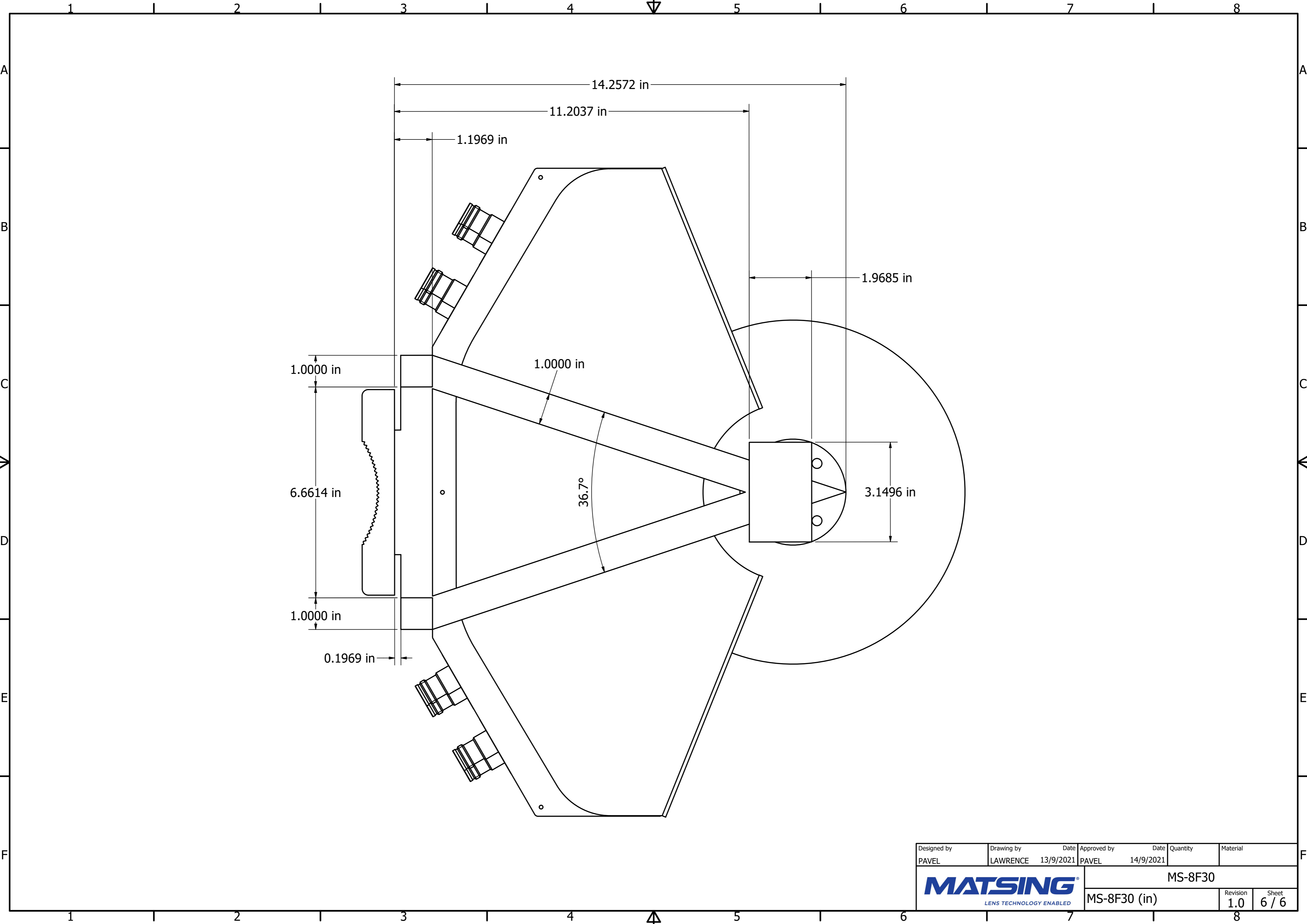
2.3622 in  
 2.3622 in  
 2.3622 in  
 9.7638 in  
 5.3543 in


View A

2.3622 in  
 13.7574 in  
 Ø10.8661 in  
 8.6614 in  
 1.0236 in  
 14.2549 in

View A

Designed by PAVEL	Drawing by LAWRENCE	Date 13/9/2021	Approved by PAVEL	Date 14/9/2021	Quantity	Material
<b>MATSING</b> LENS TECHNOLOGY ENABLED						MS-8F30
MS-8F30 (in)					Revision 1.0	Sheet 5 / 6



Designed by PAVEL	Drawing by LAWRENCE	Date 13/9/2021	Approved by PAVEL	Date 14/9/2021	Quantity	Material
						MS-8F30
						MS-8F30 (in)