

## Wind Load

## Antenna MS-8C60

**Antenna Model Number**

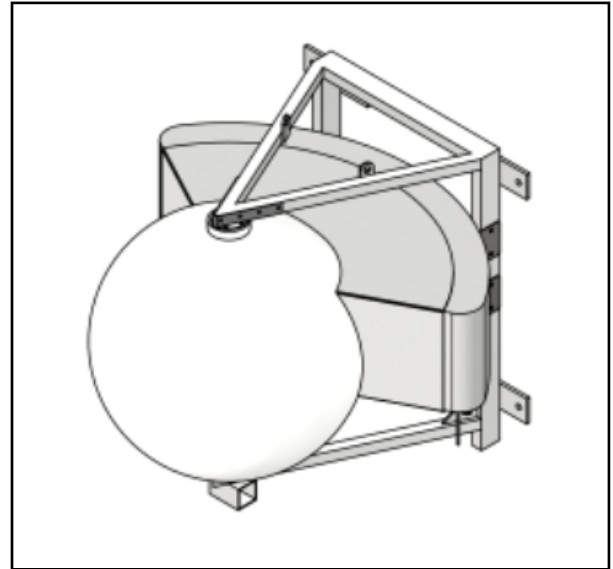
MS-8C60

**Velocity [km/h]**

150

**Dimensions: H x W x D [mm]**

723 X 861 X 800



## Results

|                   | <b>Frontal</b> | <b>Lateral</b> |
|-------------------|----------------|----------------|
| Wind Load [N/lbf] | 344/77.3       | 138.2/31       |