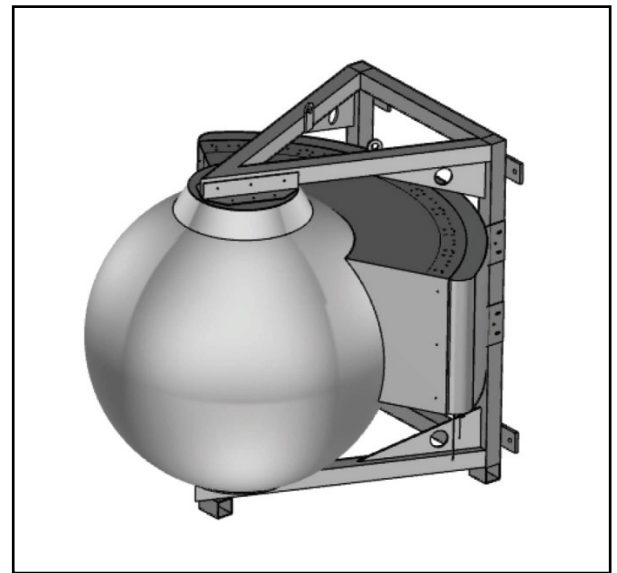


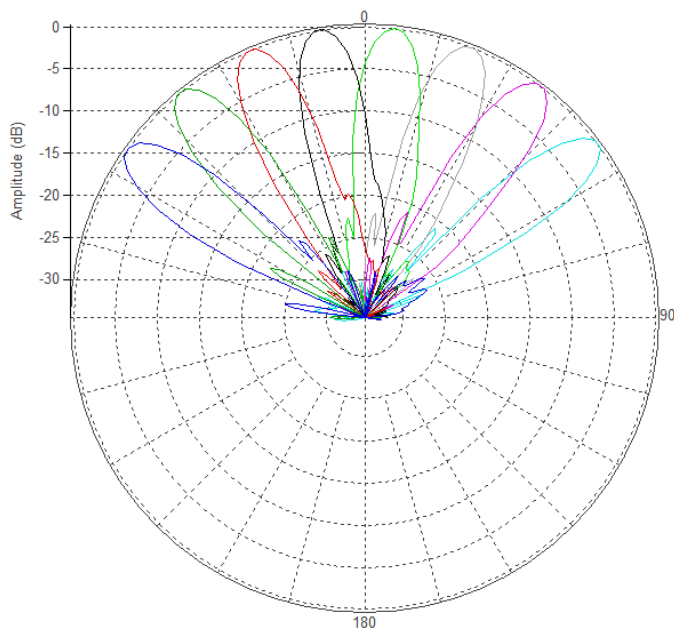
MS-8C60

Multi-Beam Spherical Lens Antenna with 8 C-Band (3.7 – 4.2 GHz) cross-polarized beams, each beam has independent RET from 0° to 15°.

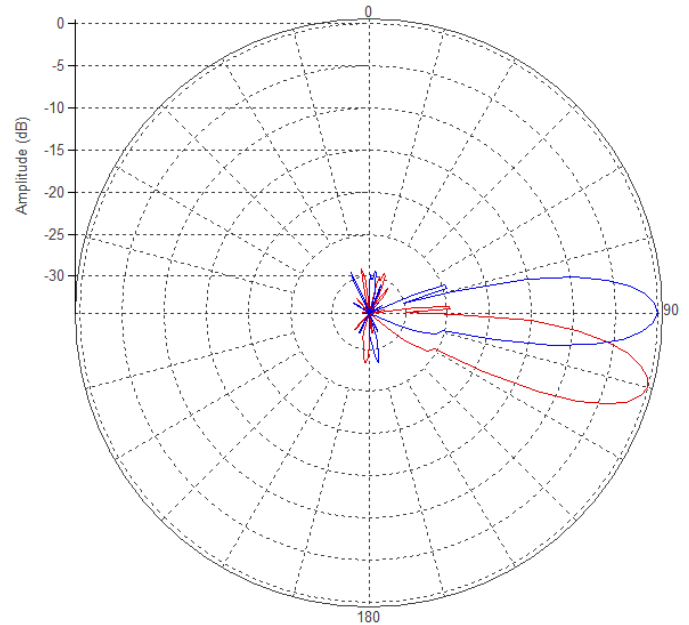


PATTERN RESULTS (3.6GHz):

Horizontal Pattern



Vertical Pattern



TECHNICAL SPECIFICATIONS

Frequency	3.7 – 4.2GHz
Gain	24dBi
VSWR	<1.5:1
Polarization	Dual Slant ±45°
Horizontal Coverage	120°
Horizontal Beamwidth (10dB level)	17°
Horizontal Beamwidth (3dB level)	9.5°
Vertical Beamwidth (3dB level)	10°
Beam Cross-over	6-8 dB typical
Total Number of Beams	8
RET	0° to 15°
First Sidelobe level	<-18dB
Front to Back Ratio	>30dB
Isolation Port to Port - Polarization	>28dB
Isolation Port to Port - Beam	>28dB
Power Rating	150W per port
Intermodulation	<-153dBc
Impedance	50 ohm
Connector Quantity and Type	16 x 4.3-10 female

MECHANICAL DATA

Dimensions (H x W x D)	Spherical Lens diameter: 60cm / 23inch Antenna dimensions: 72.3 X 86.1 X 80 cm 28.5 X 33.9 X 31.5 inch
Antenna Weight	23kg 50.7lbs
Radome Material	Fiber Glass
Mounting	Standard position pipe mount Compatible pipe diameter: 6.1 – 11.4 cm 2.4 – 4.5 inch

ENVIRONMENTAL RATINGS

Humidity	95% RH @ +30°C
Temperature	-40°C to +70°C
Wind load @ 150km/h	N/lbf Frontal: 344/77.3 Lateral: 138.2/31

CONNECTOR LAYOUT:

