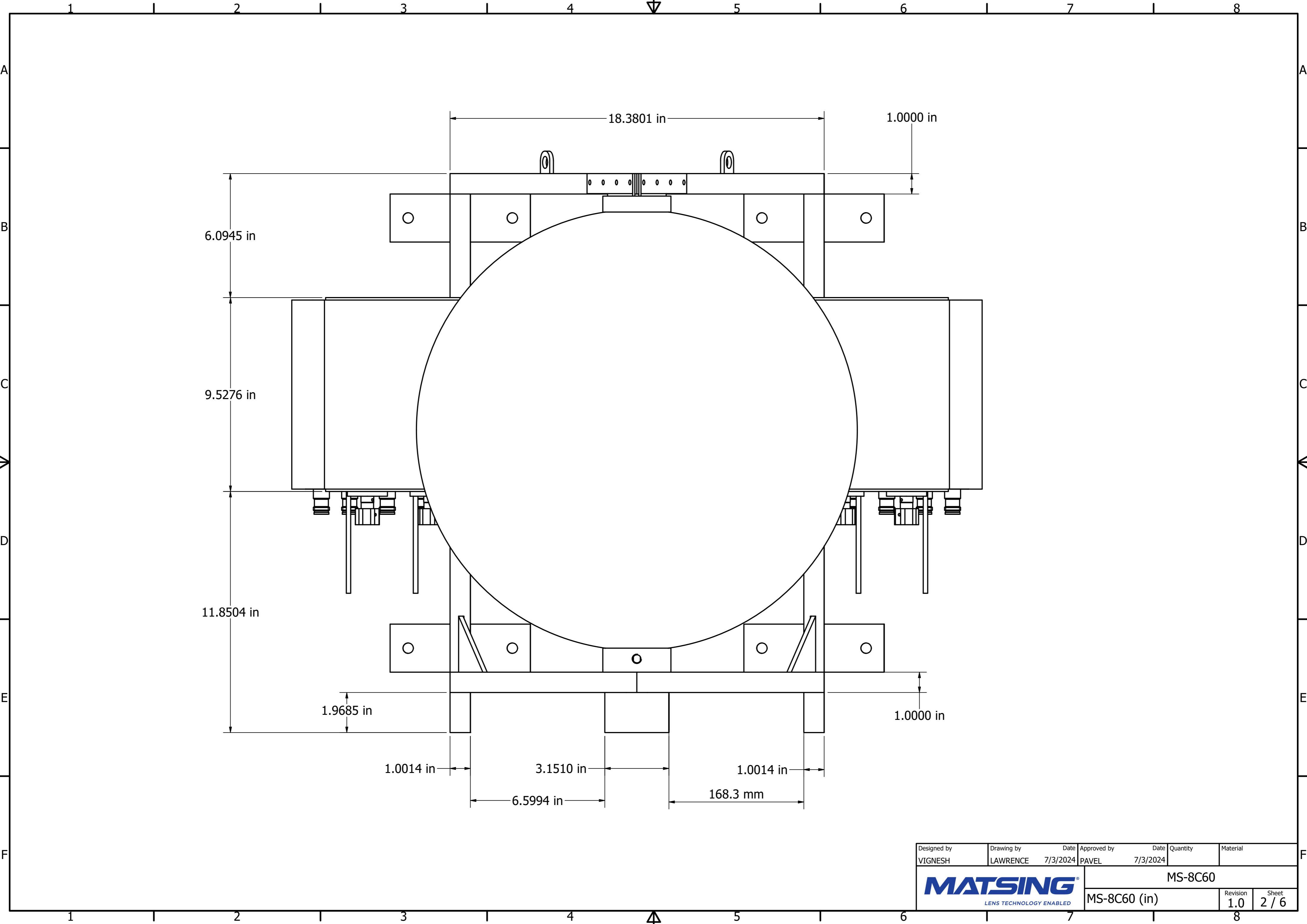
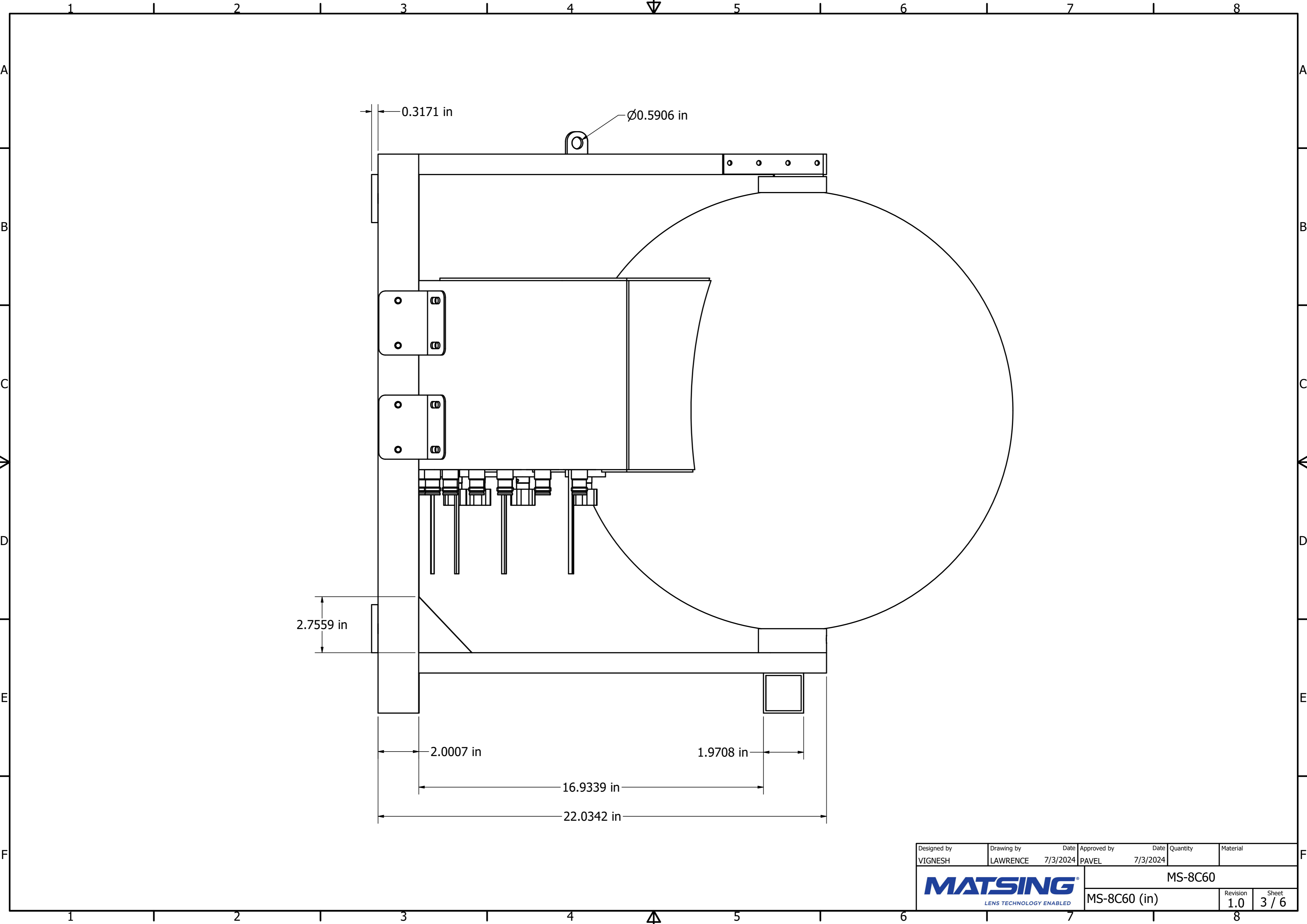



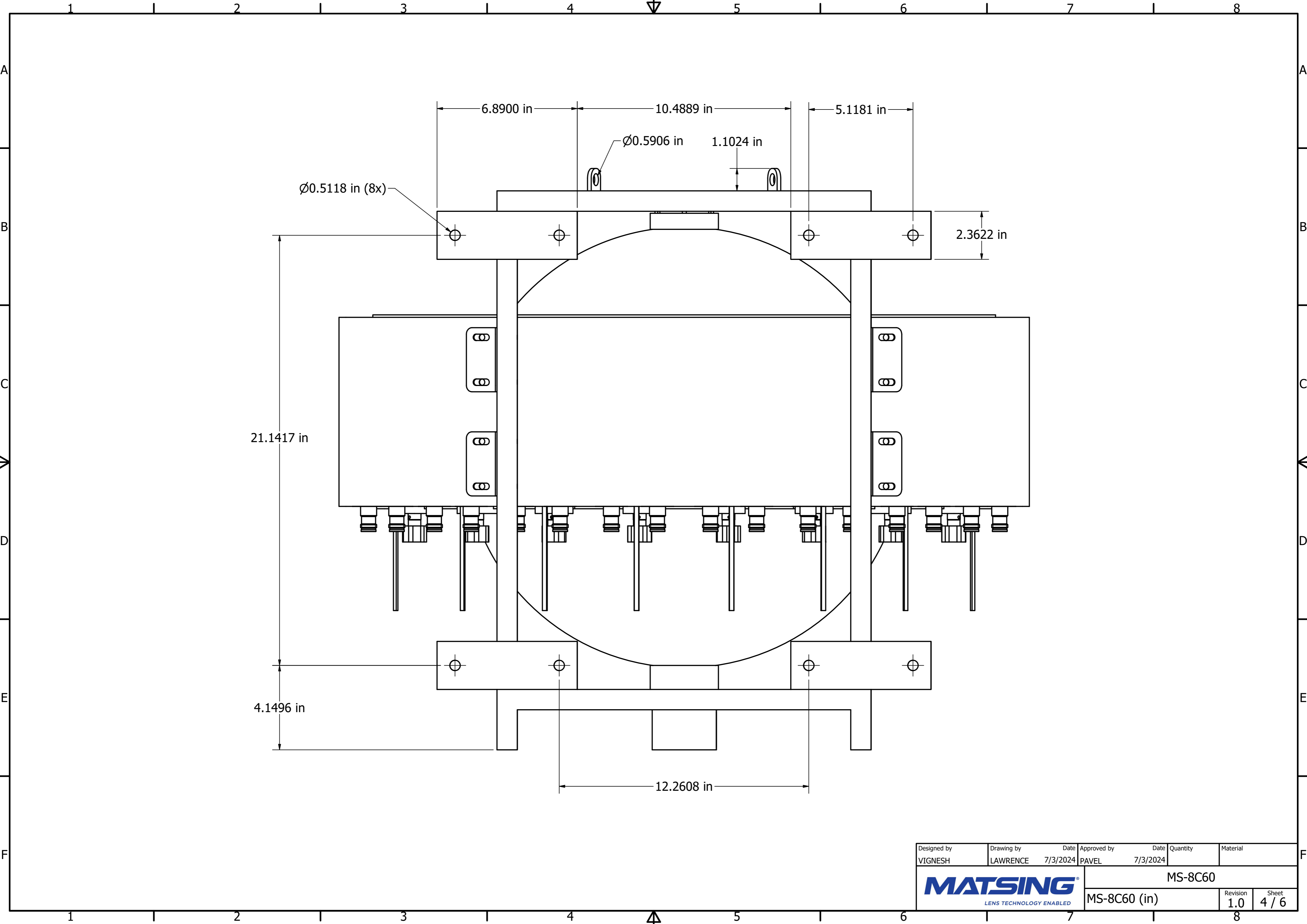
Designed by	Drawing by	Date	Approved by	Date	Quantity	Material	
VIGNESH	LAWRENCE	7/3/2024	PAVEL	7/3/2024			
MATSING LENS TECHNOLOGY ENABLED						MS-8C60	
MS-8C60 (in)						Revision 1.0	Sheet 1 / 6




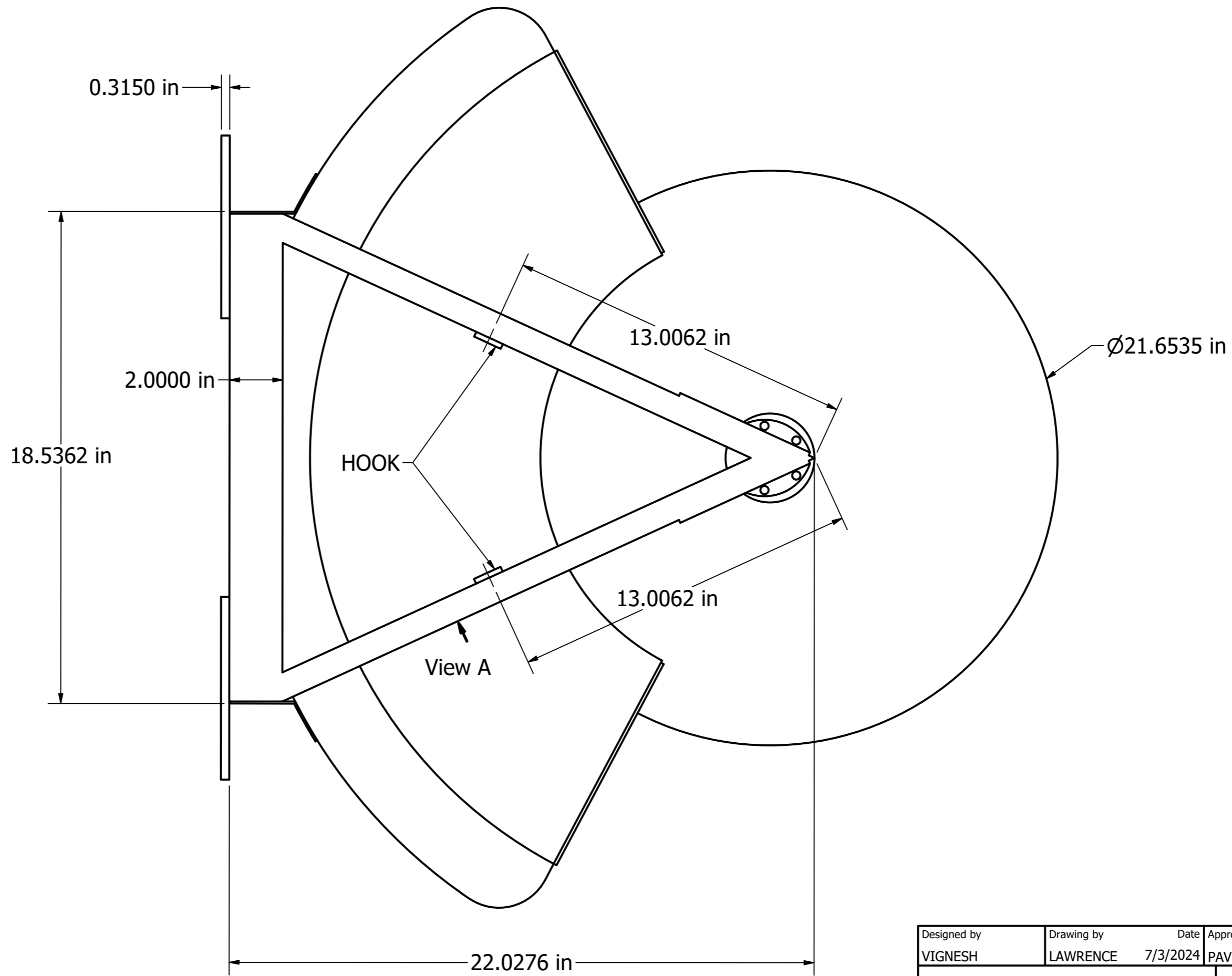
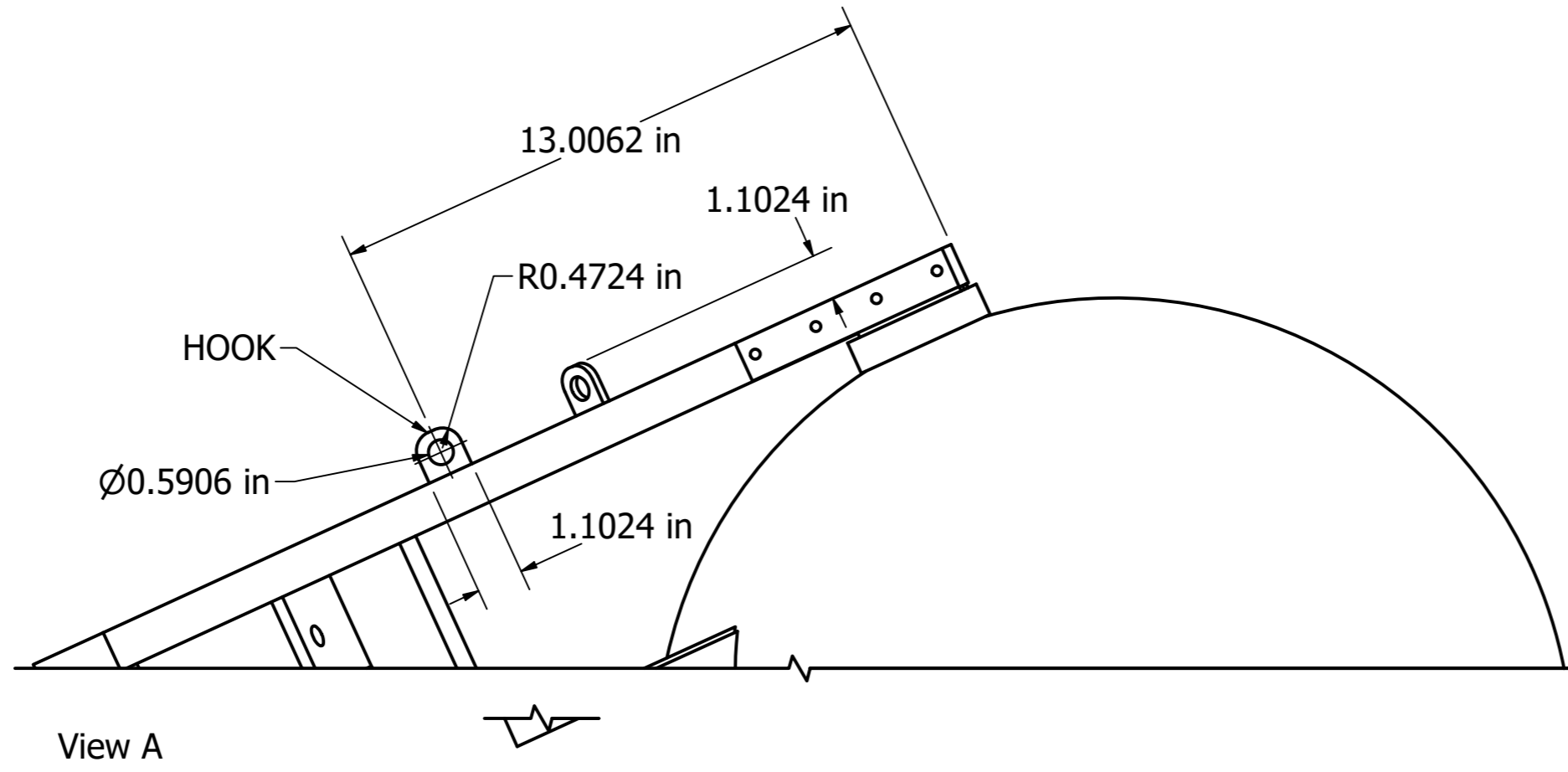
Designed by VIGNESH	Drawing by LAWRENCE	Date 7/3/2024	Approved by PAVEL	Date 7/3/2024	Quantity	Material
MATSING LENS TECHNOLOGY ENABLED						MS-8C60
MS-8C60 (in)					Revision 1.0	Sheet 2 / 6




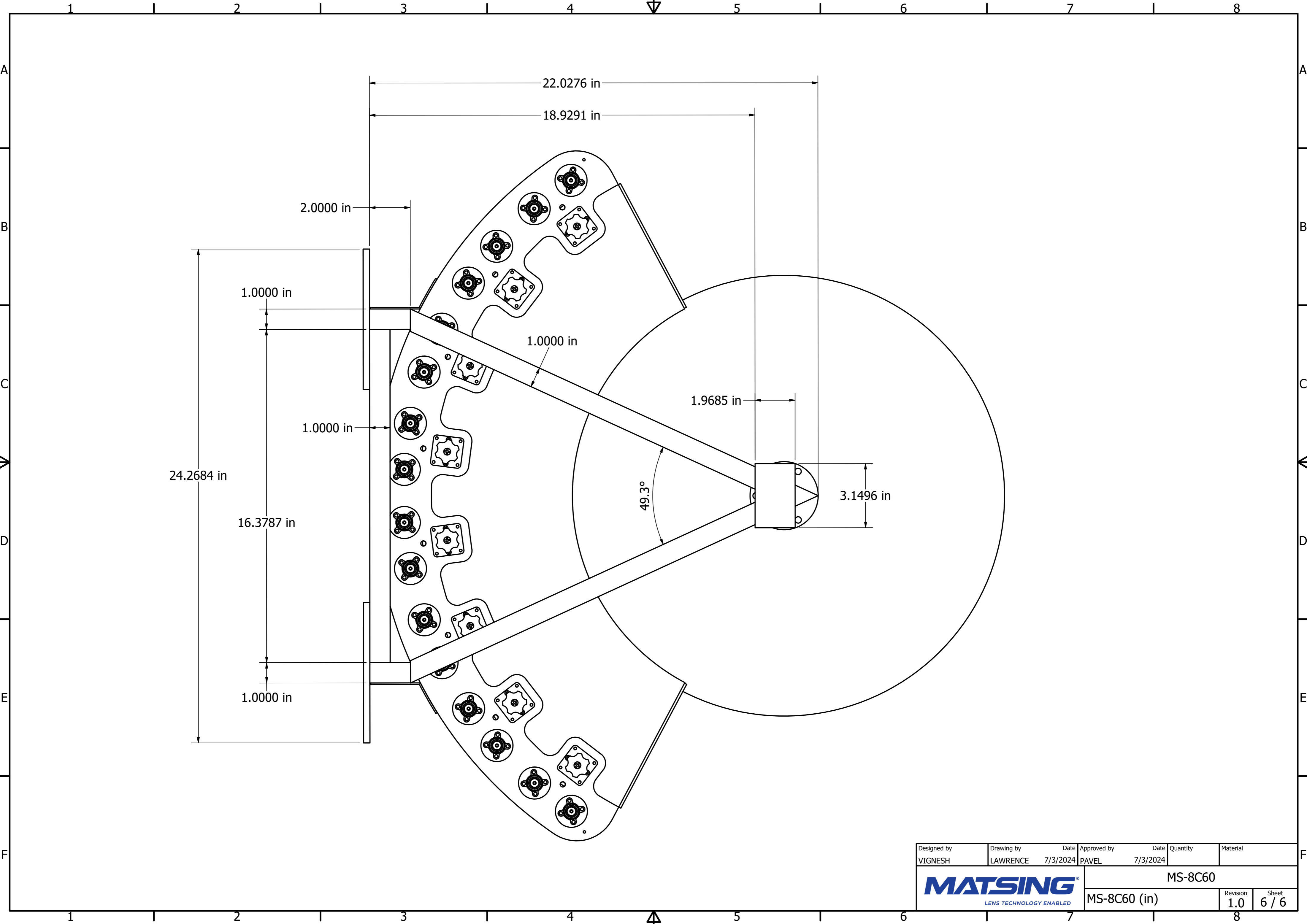
Designed by VIGNESH	Drawing by LAWRENCE	Date 7/3/2024	Approved by PAVEL	Date 7/3/2024	Quantity	Material
 MATSING <small>LENS TECHNOLOGY ENABLED</small>						MS-8C60
						MS-8C60 (in)



Designed by VIGNESH	Drawing by LAWRENCE	Date 7/3/2024	Approved by PAVEL	Date 7/3/2024	Quantity	Material
						MS-8C60
						MS-8C60 (in)



Designed by	Drawing by	Date	Approved by	Date	Quantity	Material	
VIGNESH	LAWRENCE	7/3/2024	PAVEL	7/3/2024		MS-8C60	
						Revision	Sheet
						MS-8C60 (in)	1.0



Designed by VIGNESH	Drawing by LAWRENCE	Date 7/3/2024	Approved by PAVEL	Date 7/3/2024	Quantity	Material
MATSING LENS TECHNOLOGY ENABLED						MS-8C60
MS-8C60 (in)					Revision 1.0	Sheet 6 / 6