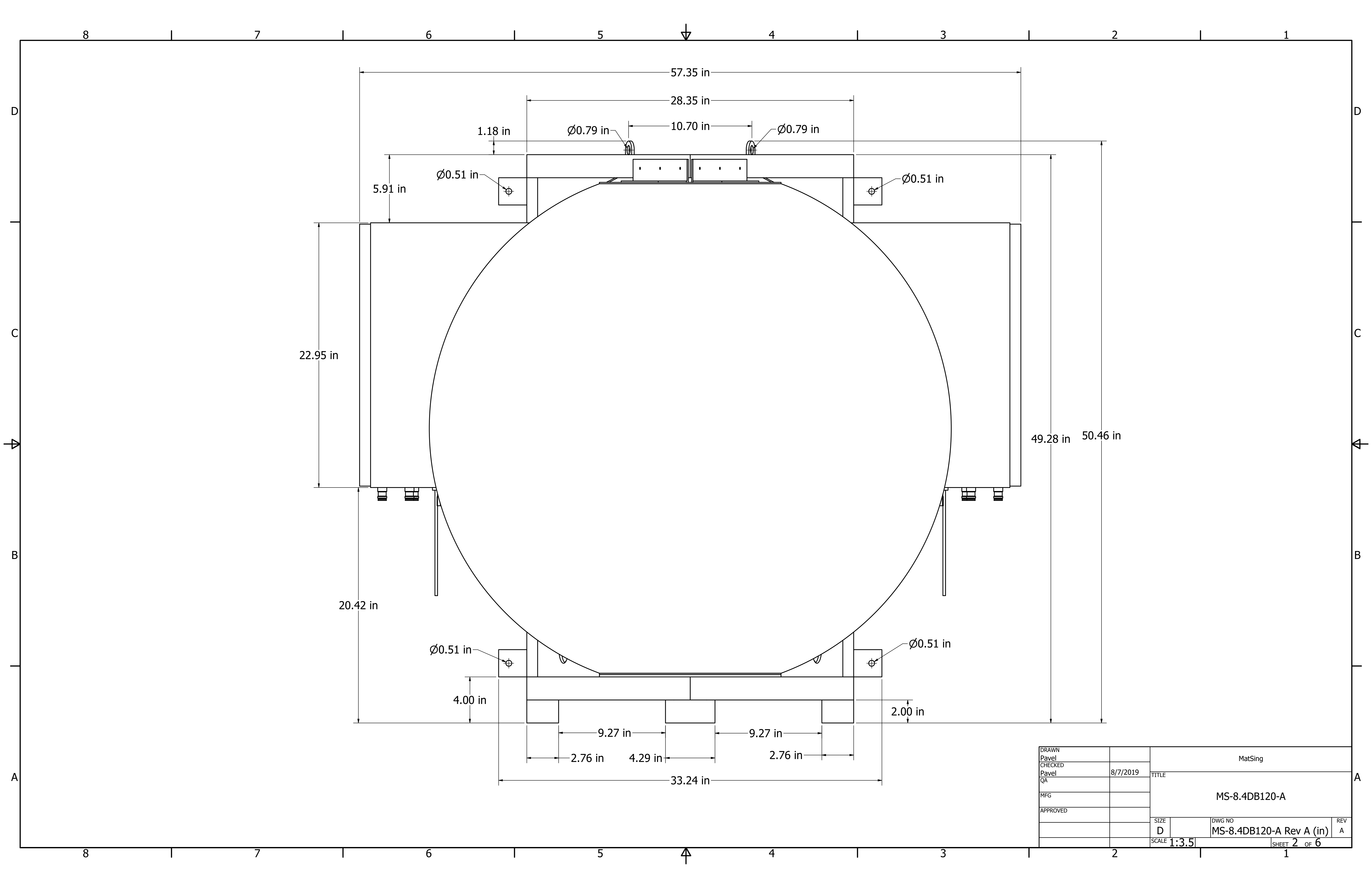
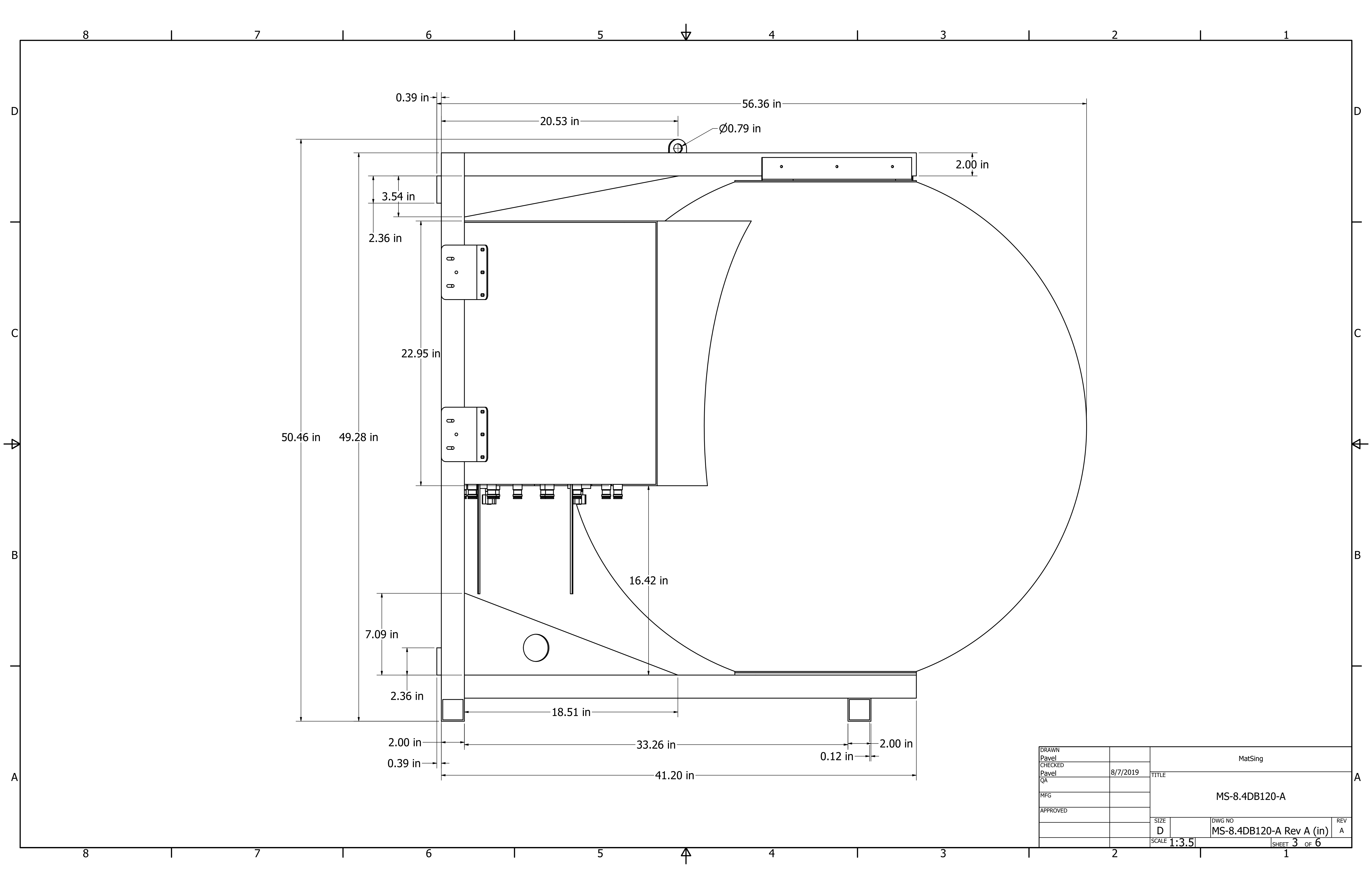


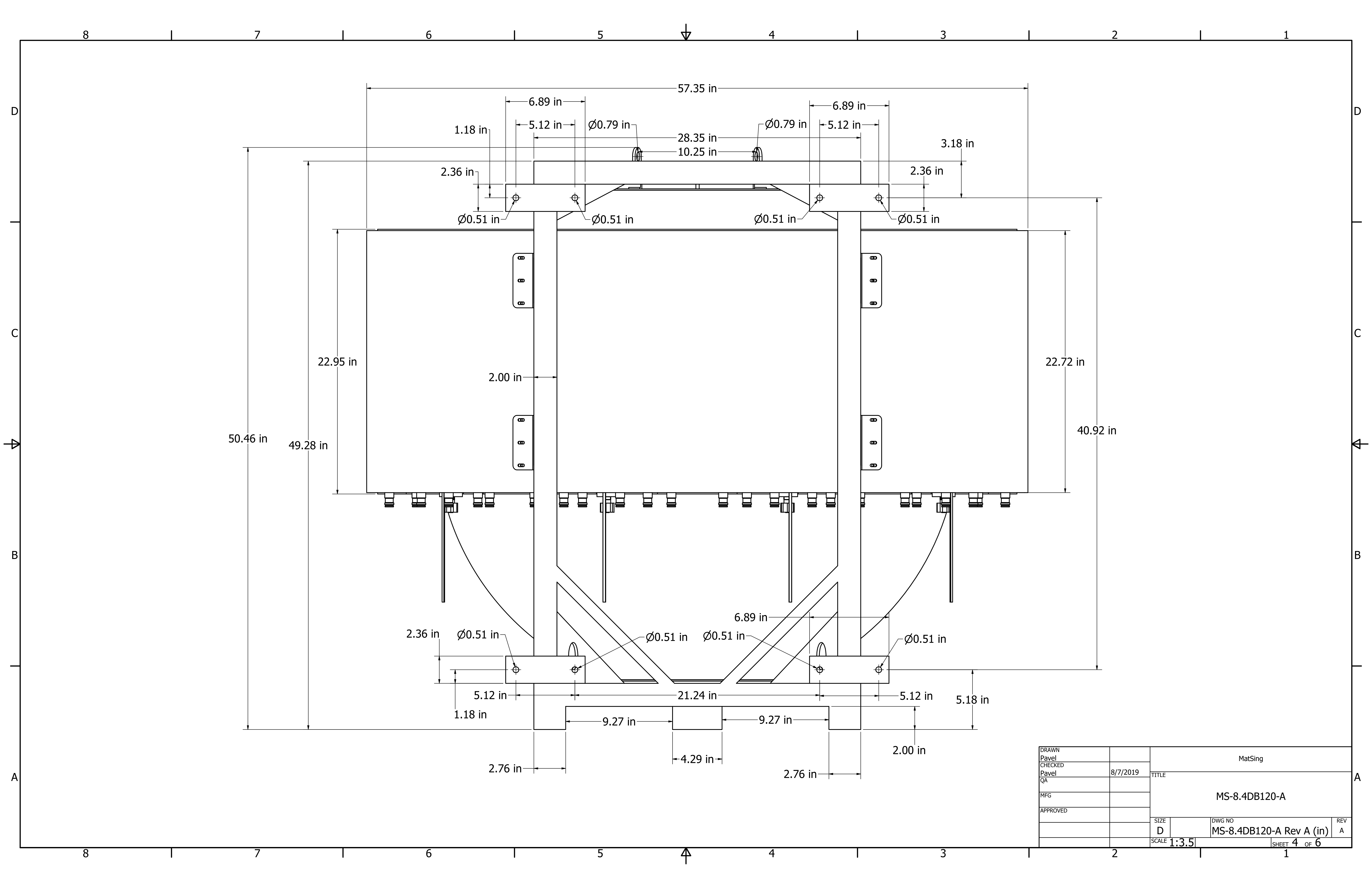
DRAWN Pavel		MatSing		
CHECKED Pavel	8/7/2019	TITLE		
QA		MS-8.4DB120-A		
MFG		SIZE	DWG NO	REV
APPROVED		D	MS-8.4DB120-A Rev A (in)	A
		SCALE	1:7	SHEET 1 OF 6



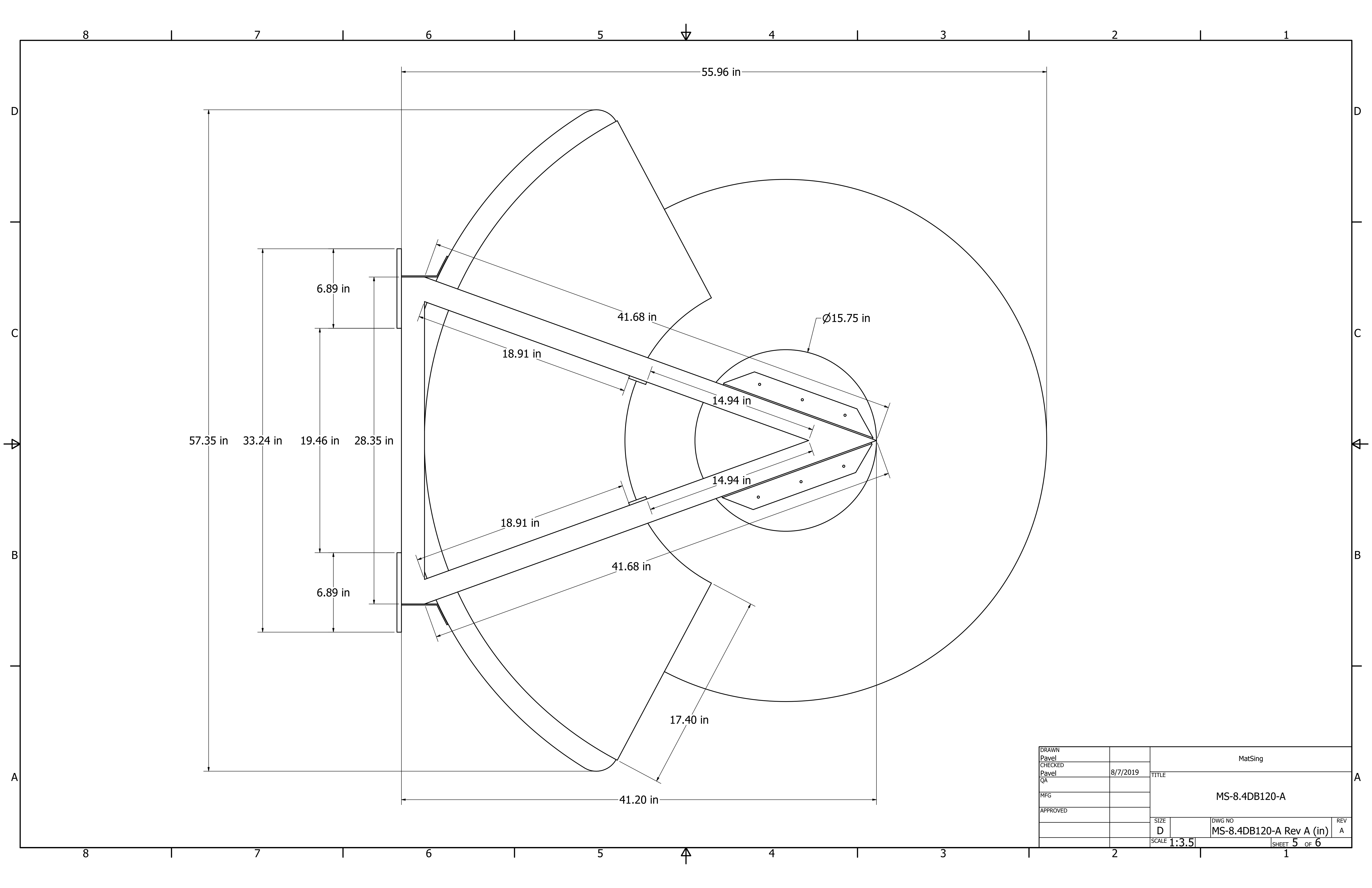
DRAWN		MatSing		
CHECKED		TITLE		
QA	8/7/2019	MS-8.4DB120-A		
MFG		REV A		
APPROVED		SIZE	DWG NO	REV
		D	MS-8.4DB120-A Rev A (in)	A
		SCALE	SHEET 2 OF 6	
		1:3.5		



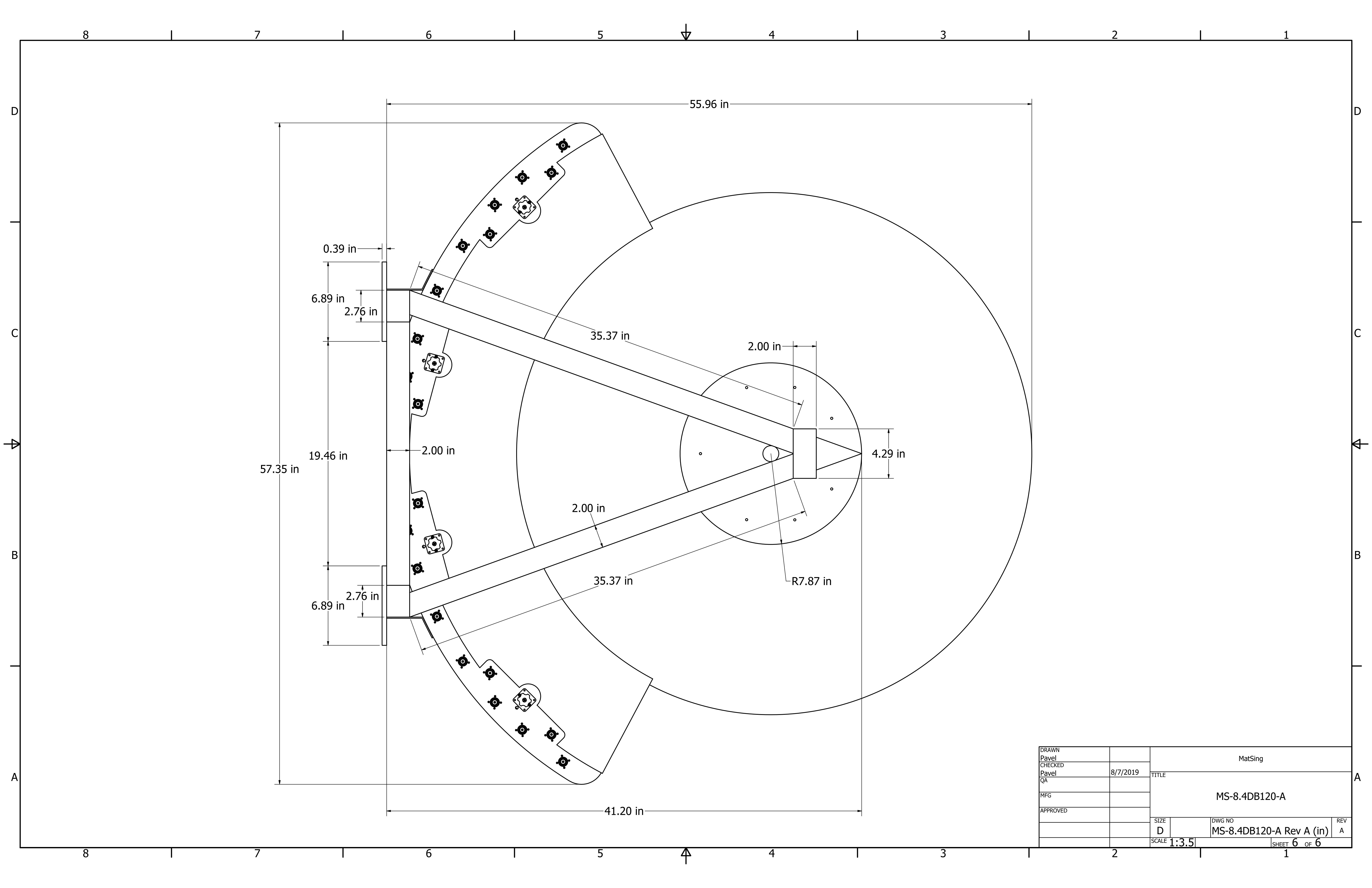
DRAWN Pavel		MatSing		
CHECKED Pavel	8/7/2019	TITLE		
QA		MS-8.4DB120-A		
MFG		SIZE	DWG NO	REV
APPROVED		D	MS-8.4DB120-A Rev A (in)	A
		SCALE	1:3.5	SHEET 3 OF 6



DRAWN		MatSing		
CHECKED		TITLE		
QA	8/7/2019	MS-8.4DB120-A		
MFG		REV A		
APPROVED		SIZE	DWG NO	REV
		D	MS-8.4DB120-A Rev A (in)	A
		SCALE	SHEET 4 OF 6	
		1:3.5		



DRAWN Pavel		MatSing		
CHECKED Pavel	8/7/2019	TITLE		
QA		MS-8.4DB120-A		
MFG				
APPROVED				
		SIZE D	DWG NO MS-8.4DB120-A Rev A (in)	REV A
		SCALE 1:3.5	SHEET 5 OF 6	



DRAWN		MatSing		
CHECKED		TITLE		
Pavel	8/7/2019	MS-8.4DB120-A		
QA		REV		
MFG		A		
APPROVED		SIZE	DWG NO	REV
		D	MS-8.4DB120-A Rev A (in)	A
		SCALE	SHEET 6 OF 6	
		1:3.5		