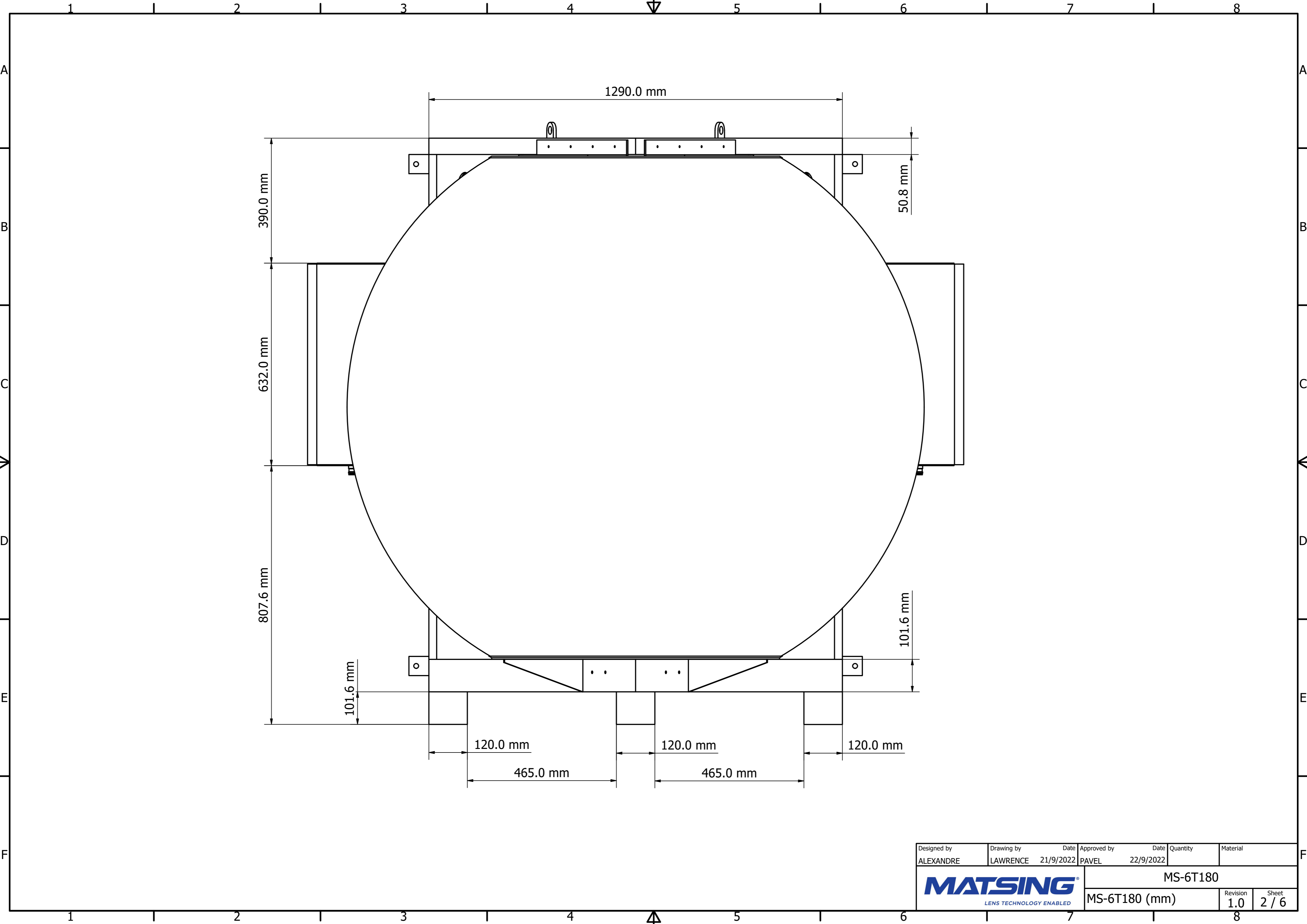

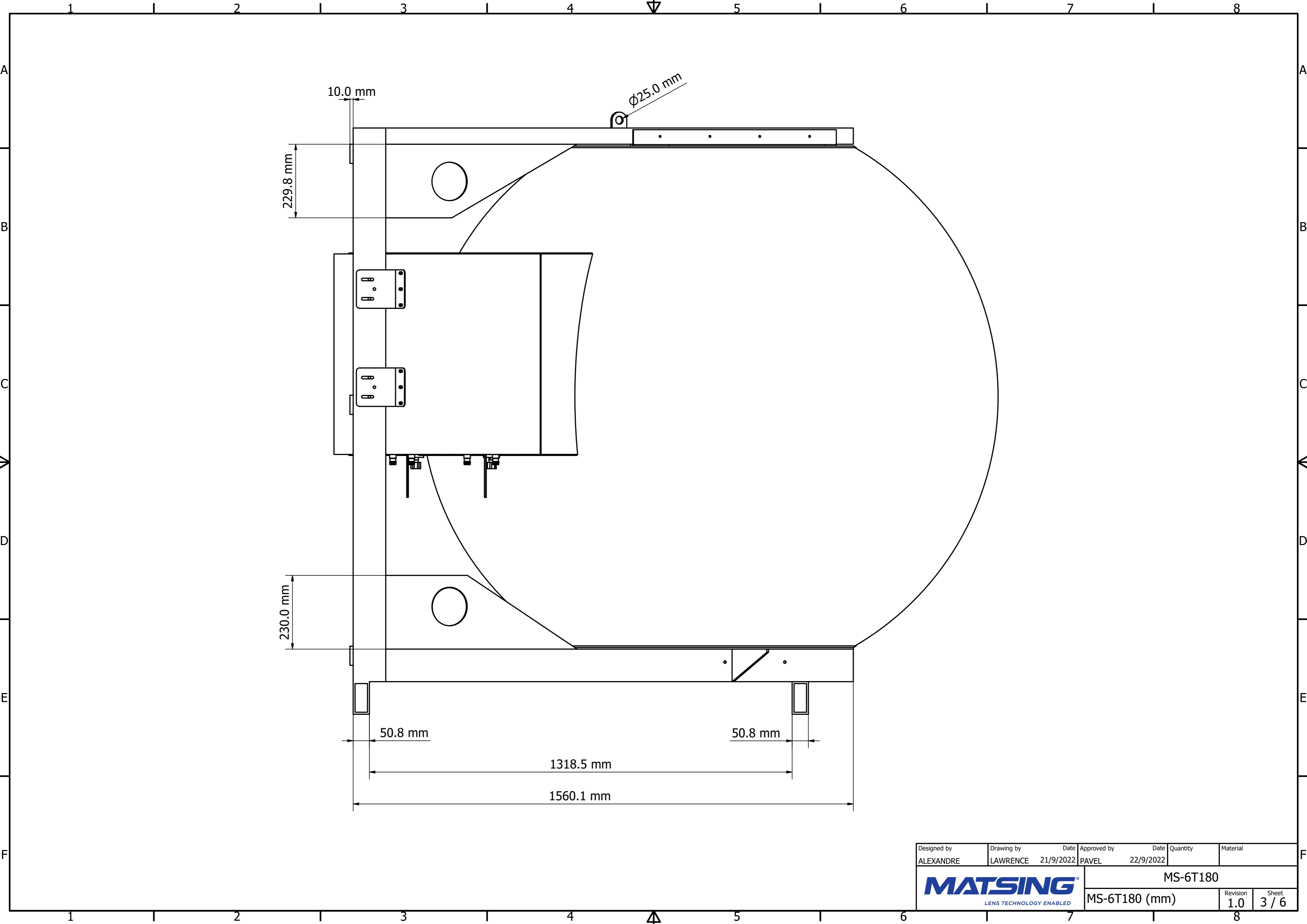


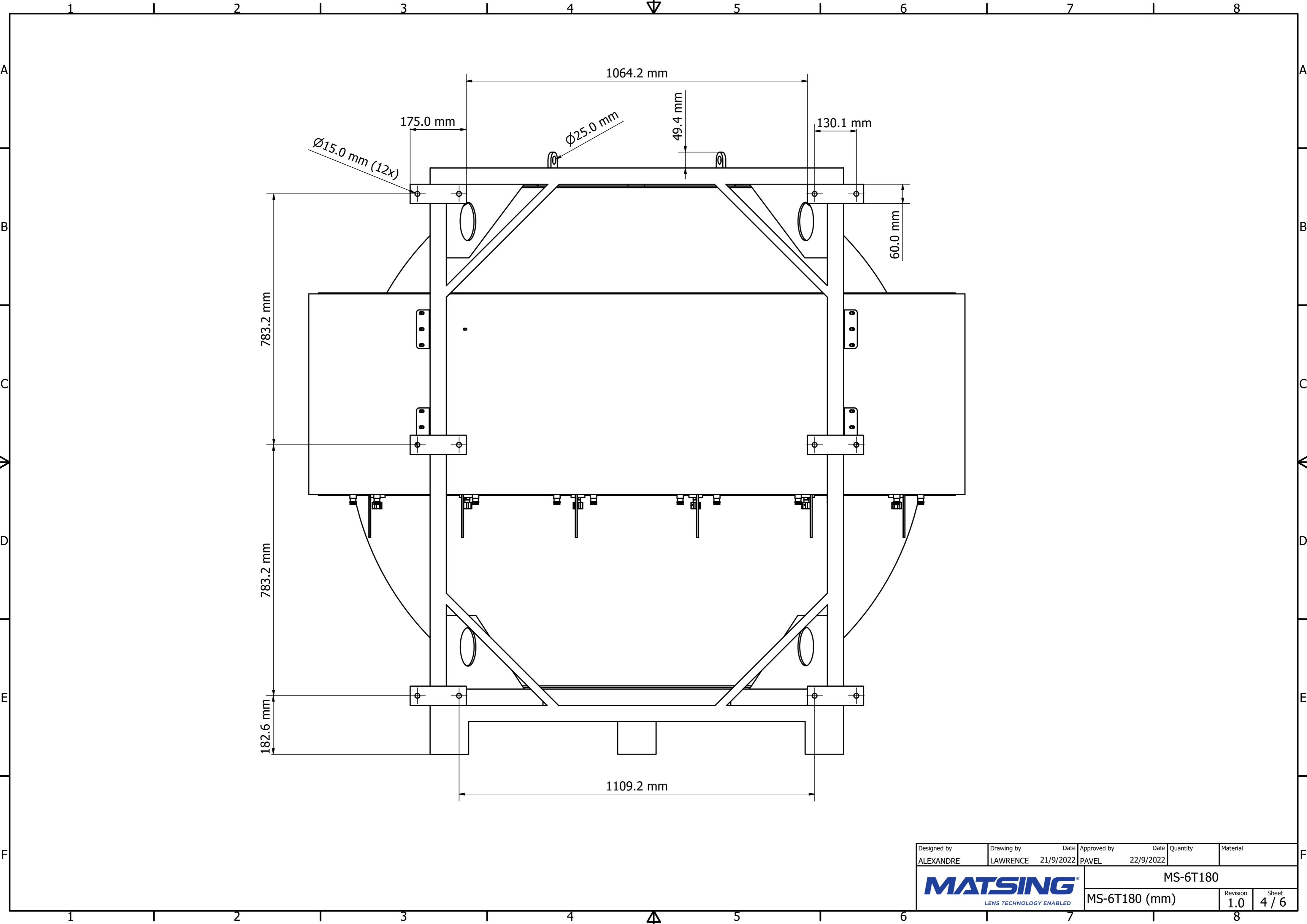
Designed by	Drawing by	Date	Approved by	Date	Quantity	Material	
ALEXANDRE	LAWRENCE	21/9/2022	PAVEL	22/9/2022			
MATSING LENS TECHNOLOGY ENABLED						MS-6T180	
MS-6T180 (mm)						Revision 1.0	Sheet 1 / 6



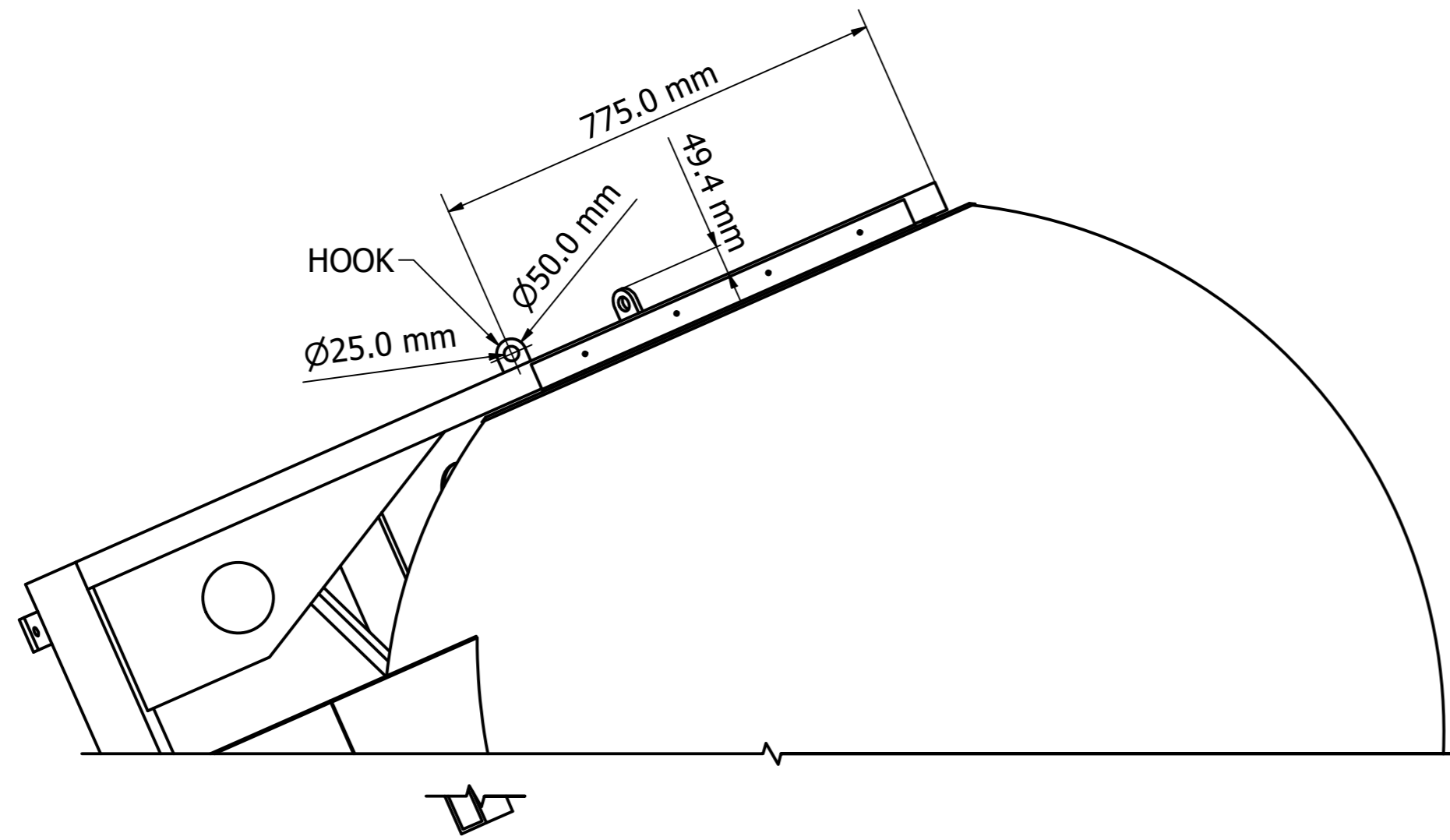
Designed by ALEXANDRE	Drawing by LAWRENCE	Date 21/9/2022	Approved by PAVEL	Date 22/9/2022	Quantity	Material
						MS-6T180
						MS-6T180 (mm)



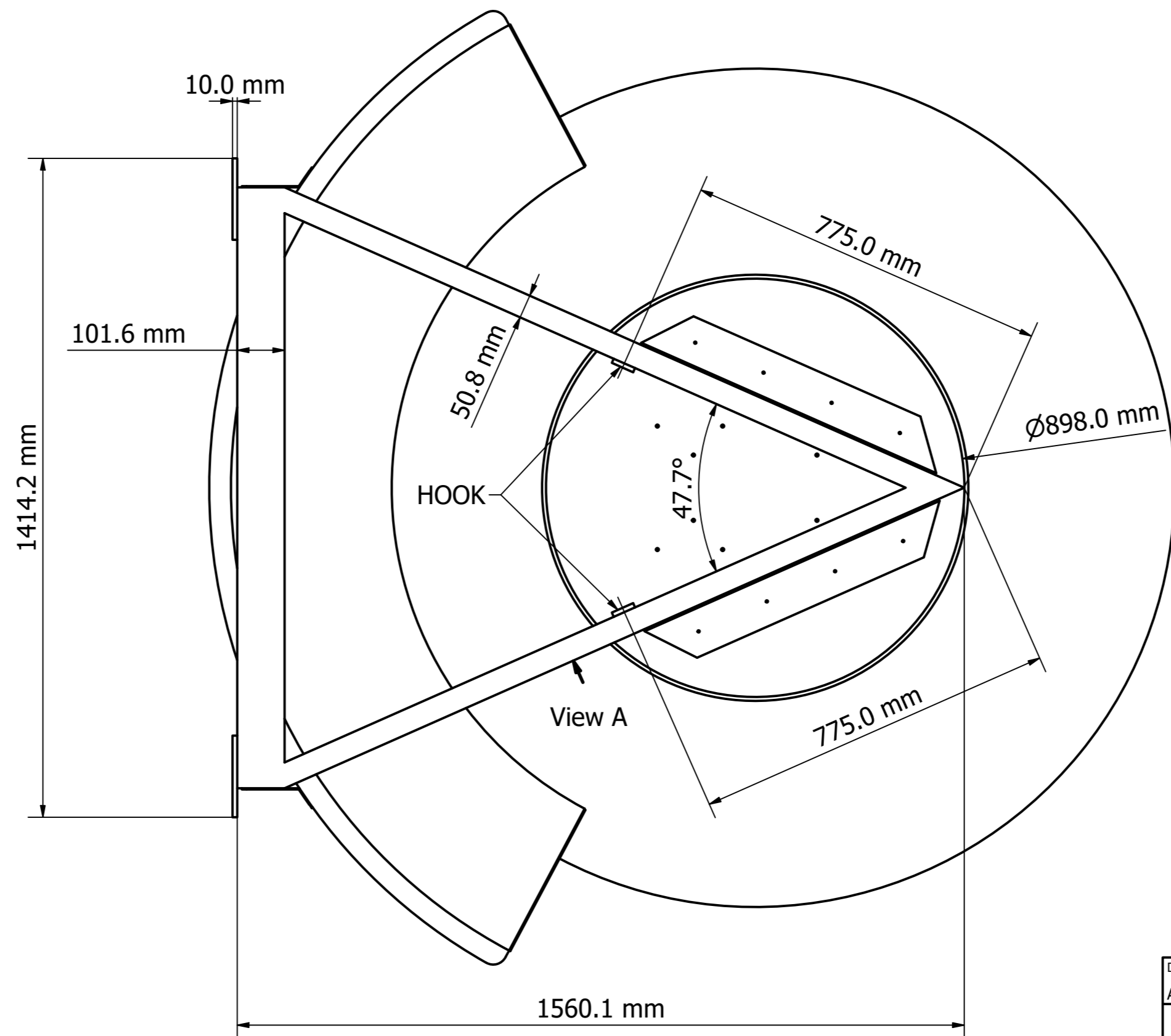
Designed by ALEXANDRE	Drawing by LAWRENCE	Date 21/9/2022	Approved by PAVEL	Date 22/9/2022	Quantity	Material
MATSING LENS TECHNOLOGY ENABLED						MS-6T180
MS-6T180 (mm)					Revision 1.0	Sheet 3 / 6



Designed by ALEXANDRE	Drawing by LAWRENCE	Date 21/9/2022	Approved by PAVEL	Date 22/9/2022	Quantity	Material
MATSING LENS TECHNOLOGY ENABLED						MS-6T180
MS-6T180 (mm)					Revision 1.0	Sheet 4 / 6

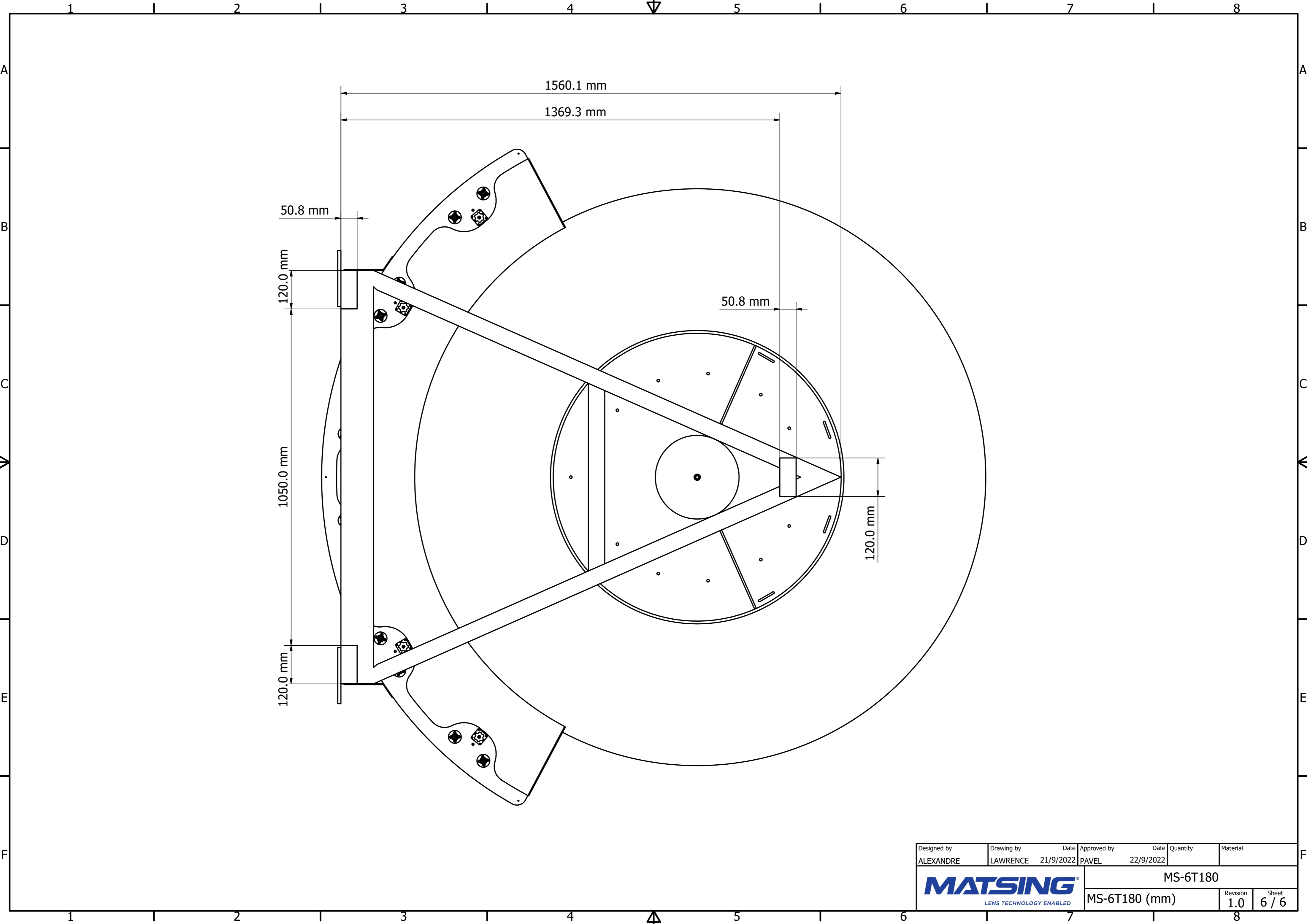


View A



View A

Designed by ALEXANDRE	Drawing by LAWRENCE	Date 21/9/2022	Approved by PAVEL	Date 22/9/2022	Quantity	Material
MATSING LENS TECHNOLOGY ENABLED						MS-6T180
					MS-6T180 (mm)	Revision 1.0
					Sheet 5 / 6	



Designed by ALEXANDRE	Drawing by LAWRENCE	Date 21/9/2022	Approved by PAVEL	Date 22/9/2022	Quantity	Material
MATSING LENS TECHNOLOGY ENABLED						MS-6T180
MS-6T180 (mm)					Revision 1.0	Sheet 6 / 6