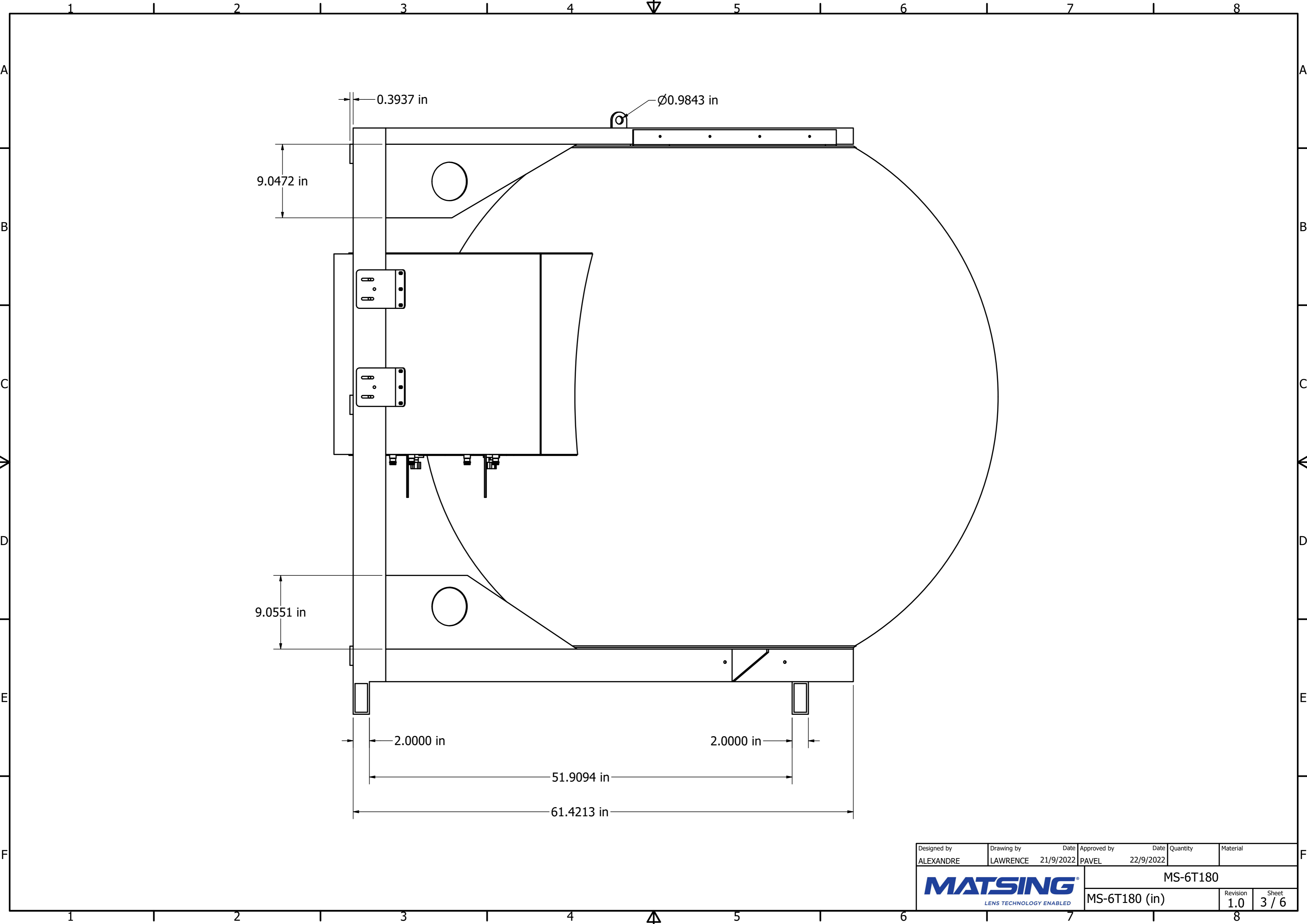
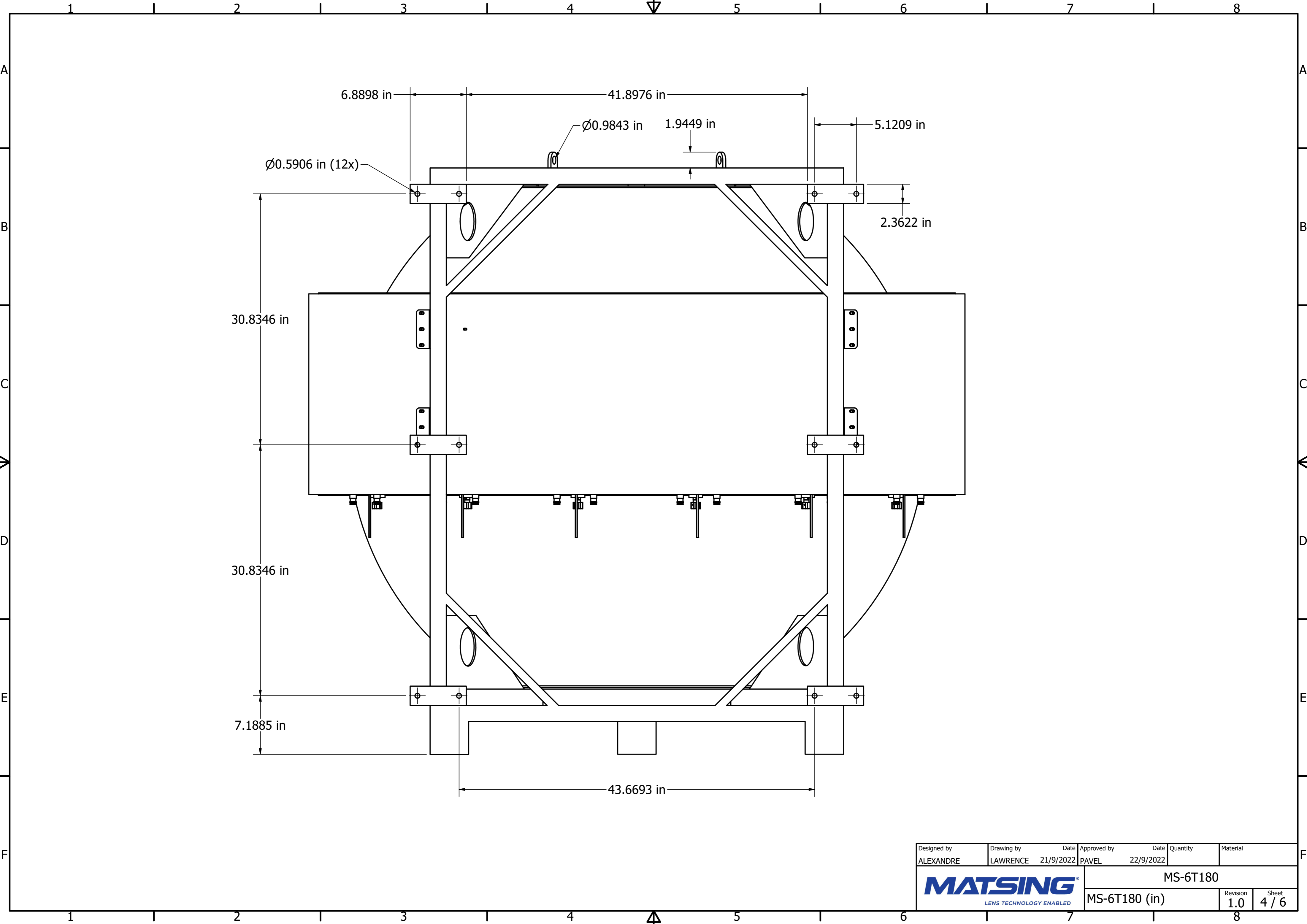


Designed by	Drawing by	Date	Approved by	Date	Quantity	Material	
ALEXANDRE	LAWRENCE	21/9/2022	PAVEL	22/9/2022			
<b>MATSING</b> LENS TECHNOLOGY ENABLED						MS-6T180	
MS-6T180 (in)						Revision 1.0	Sheet 1 / 6

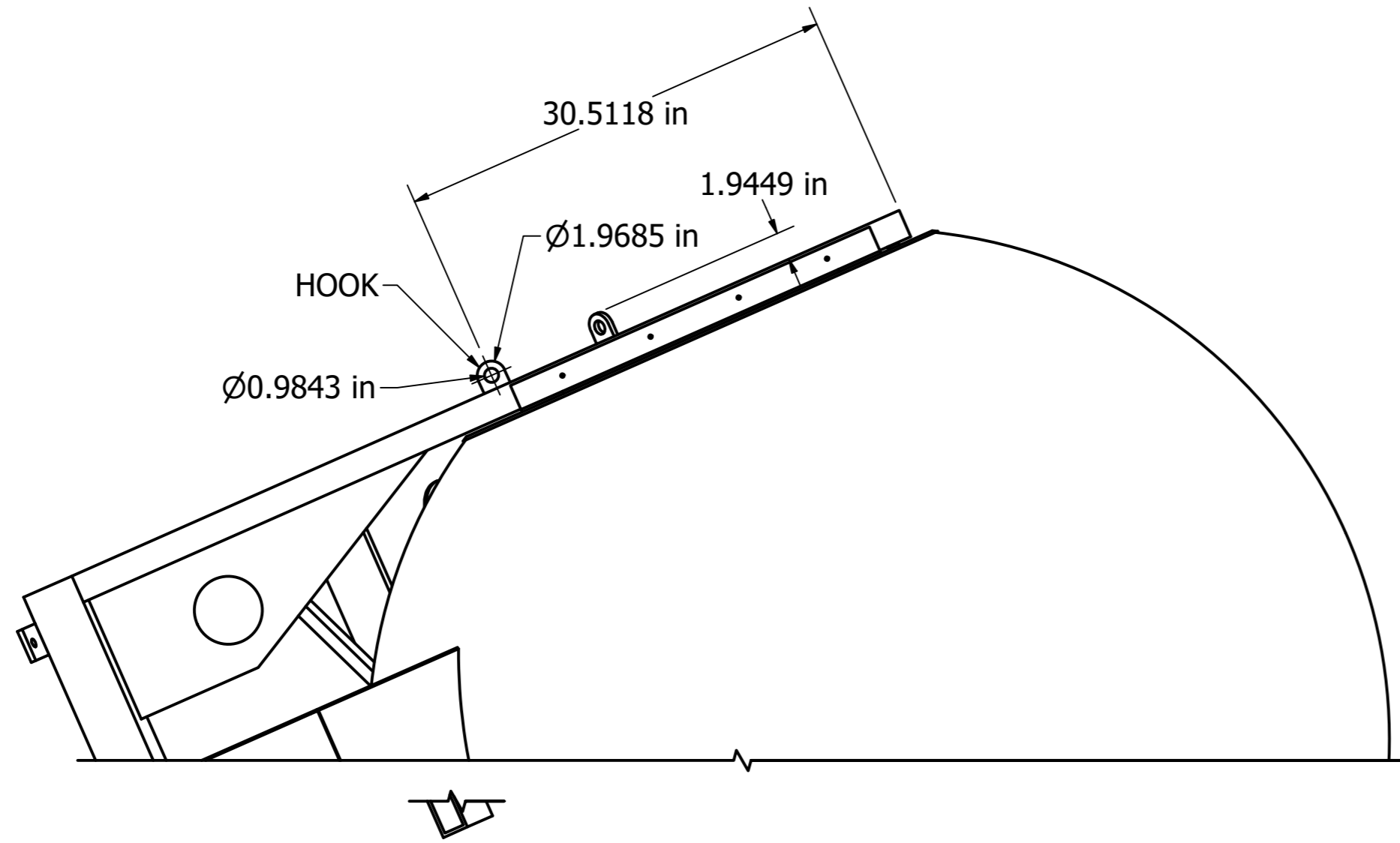




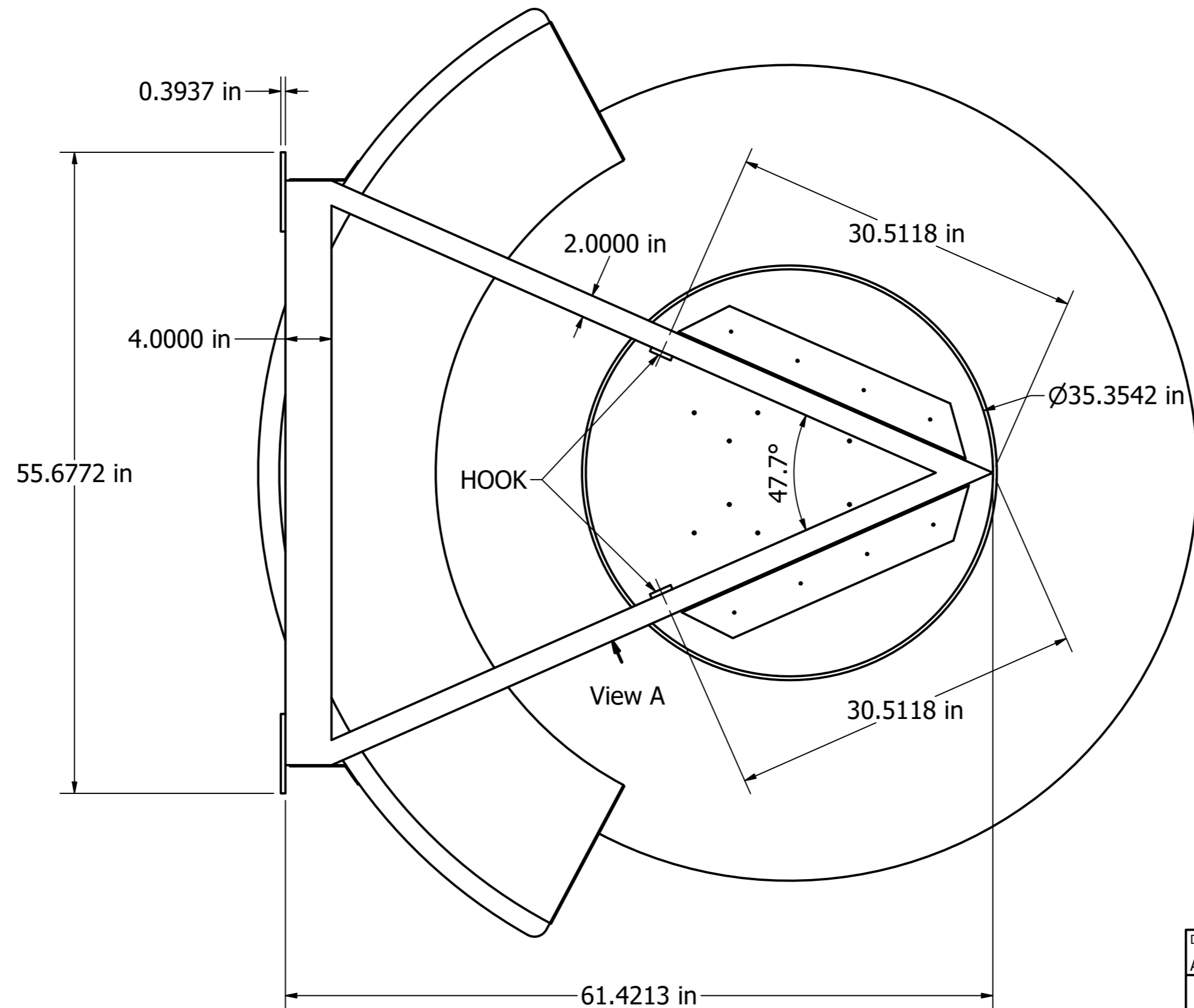
Designed by ALEXANDRE	Drawing by LAWRENCE	Date 21/9/2022	Approved by PAVEL	Date 22/9/2022	Quantity	Material
<b>MATSING</b> LENS TECHNOLOGY ENABLED						MS-6T180
MS-6T180 (in)					Revision 1.0	Sheet 3 / 6



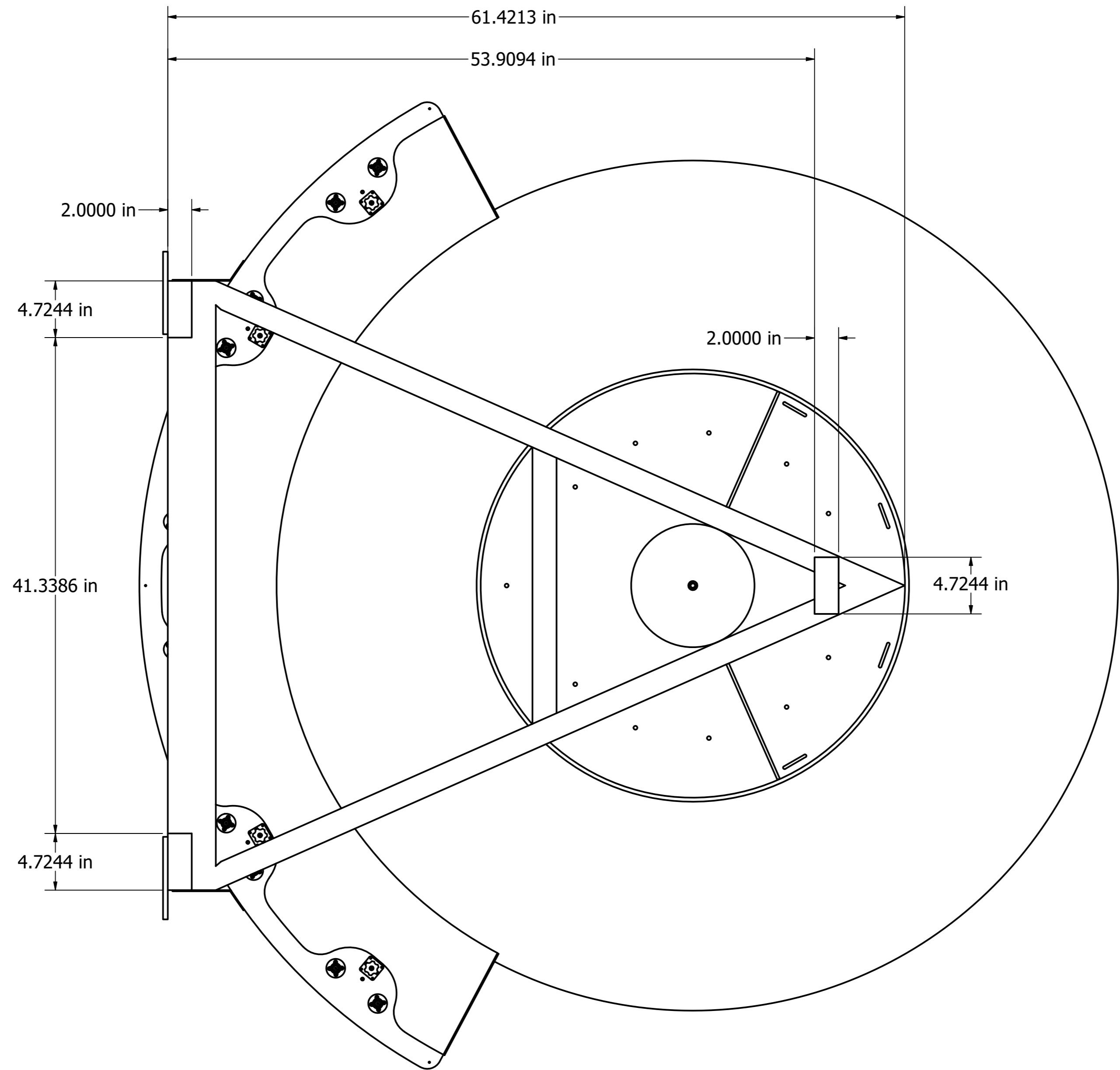
Designed by ALEXANDRE	Drawing by LAWRENCE	Date 21/9/2022	Approved by PAVEL	Date 22/9/2022	Quantity	Material
<b>MATSING</b> LENS TECHNOLOGY ENABLED						MS-6T180
MS-6T180 (in)					Revision 1.0	Sheet 4 / 6



View A



Designed by	Drawing by	Date	Approved by	Date	Quantity	Material
ALEXANDRE	LAWRENCE	21/9/2022	PAVEL	22/9/2022		
<b>MATSING</b> LENS TECHNOLOGY ENABLED						MS-6T180
						MS-6T180 (in)
					Revision	Sheet
					1.0	5 / 6



Designed by ALEXANDRE	Drawing by LAWRENCE	Date 21/9/2022	Approved by PAVEL	Date 22/9/2022	Quantity	Material
<b>MATSING</b> LENS TECHNOLOGY ENABLED						MS-6T180
MS-6T180 (in)					Revision 1.0	Sheet 6 / 6