

Wind Load

Antenna MS-6H90

Antenna Model Number

MS-6H90

Velocity [km/h]

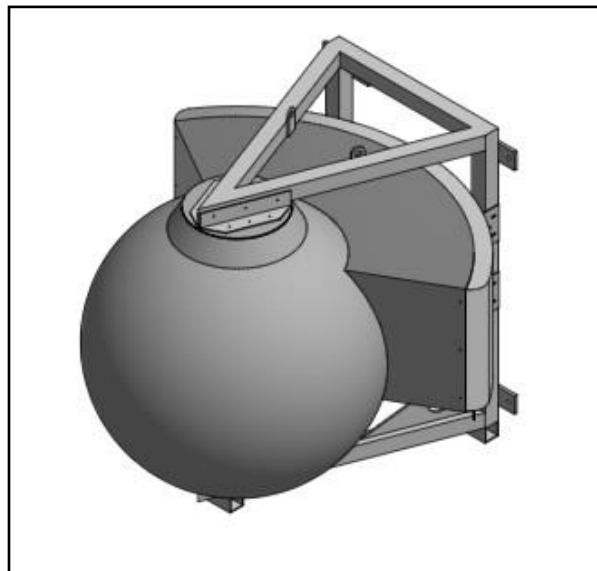
150

Dimensions: H x W x D [mm]

1050 x 1170 x 1140

Spherical Lens Diameter [mm]

900



Results

| | Frontal | Lateral |
|---------------------------------|----------------|----------------|
| Antenna Drag Coefficient | 0.69 | 0.63 |
| Wind Load [N/lbf] | 520 / 117 | 614 / 138 |