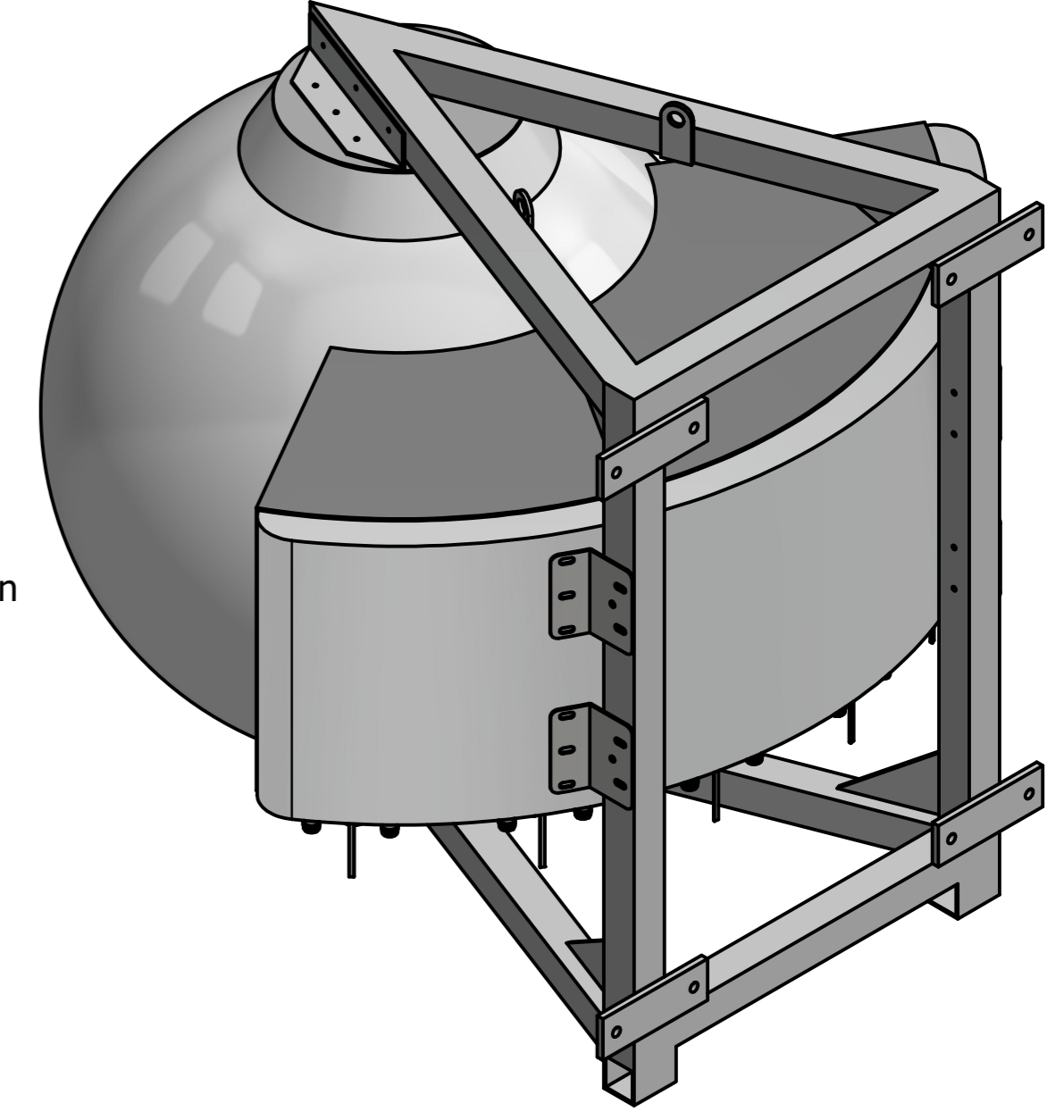
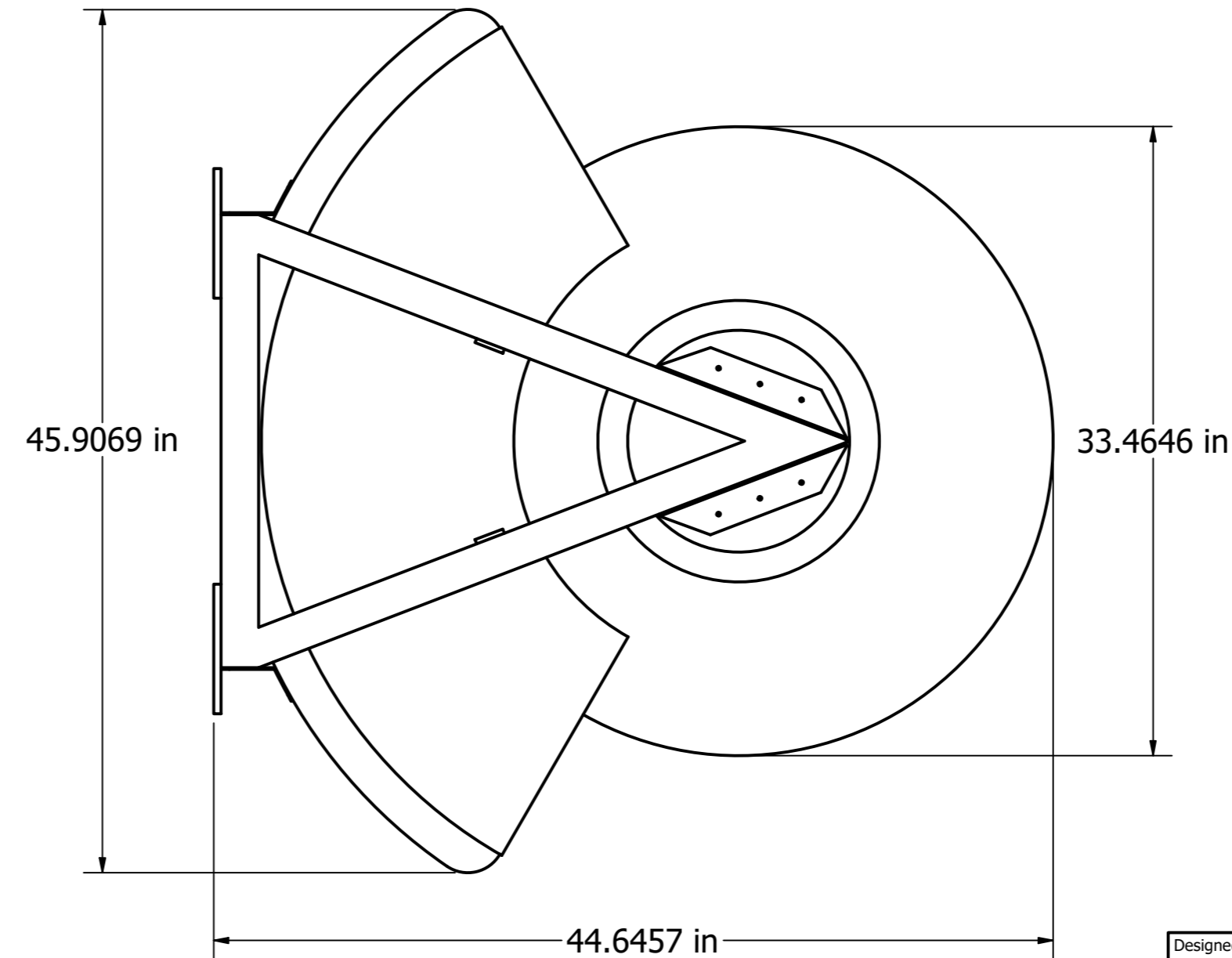
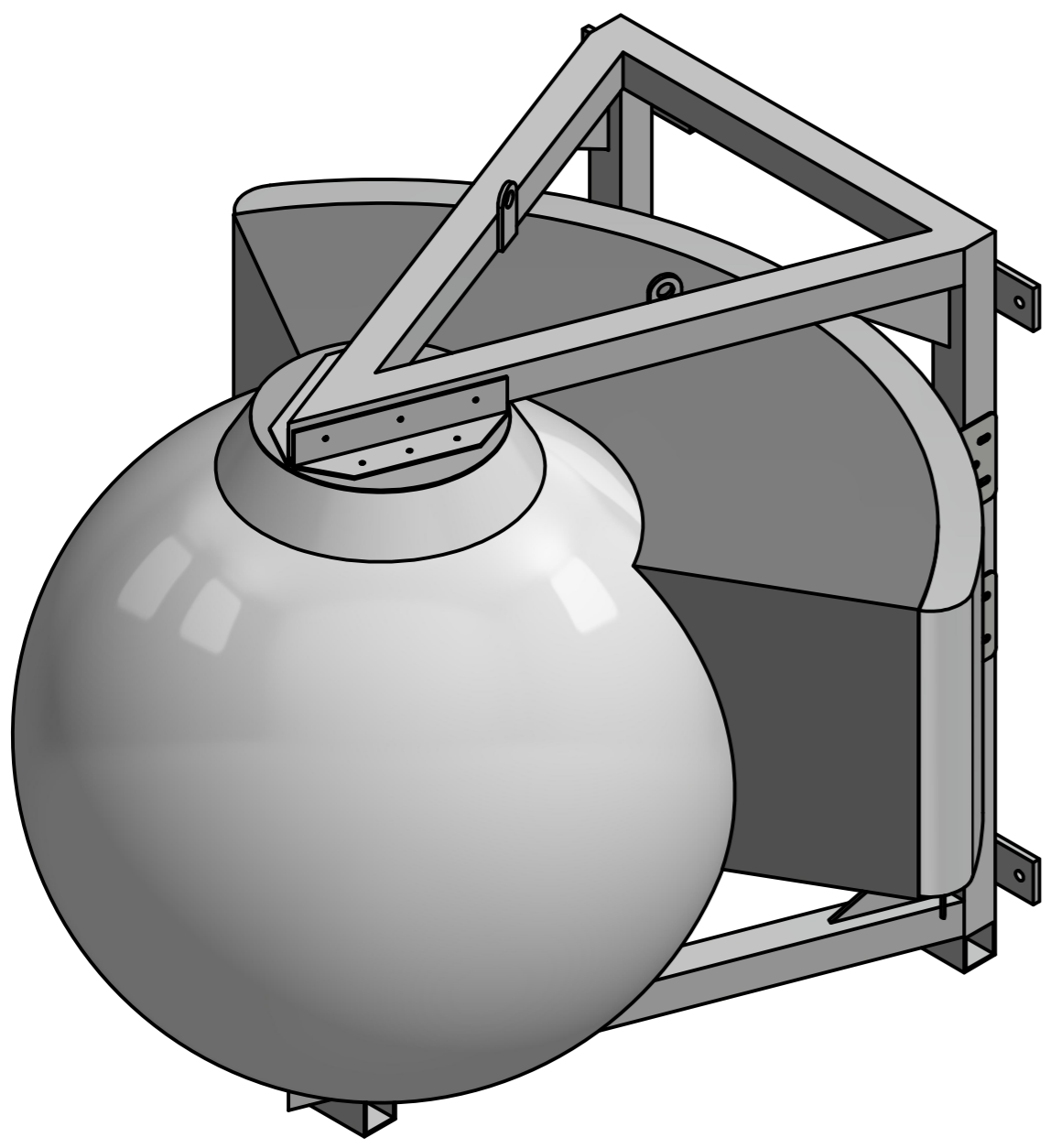
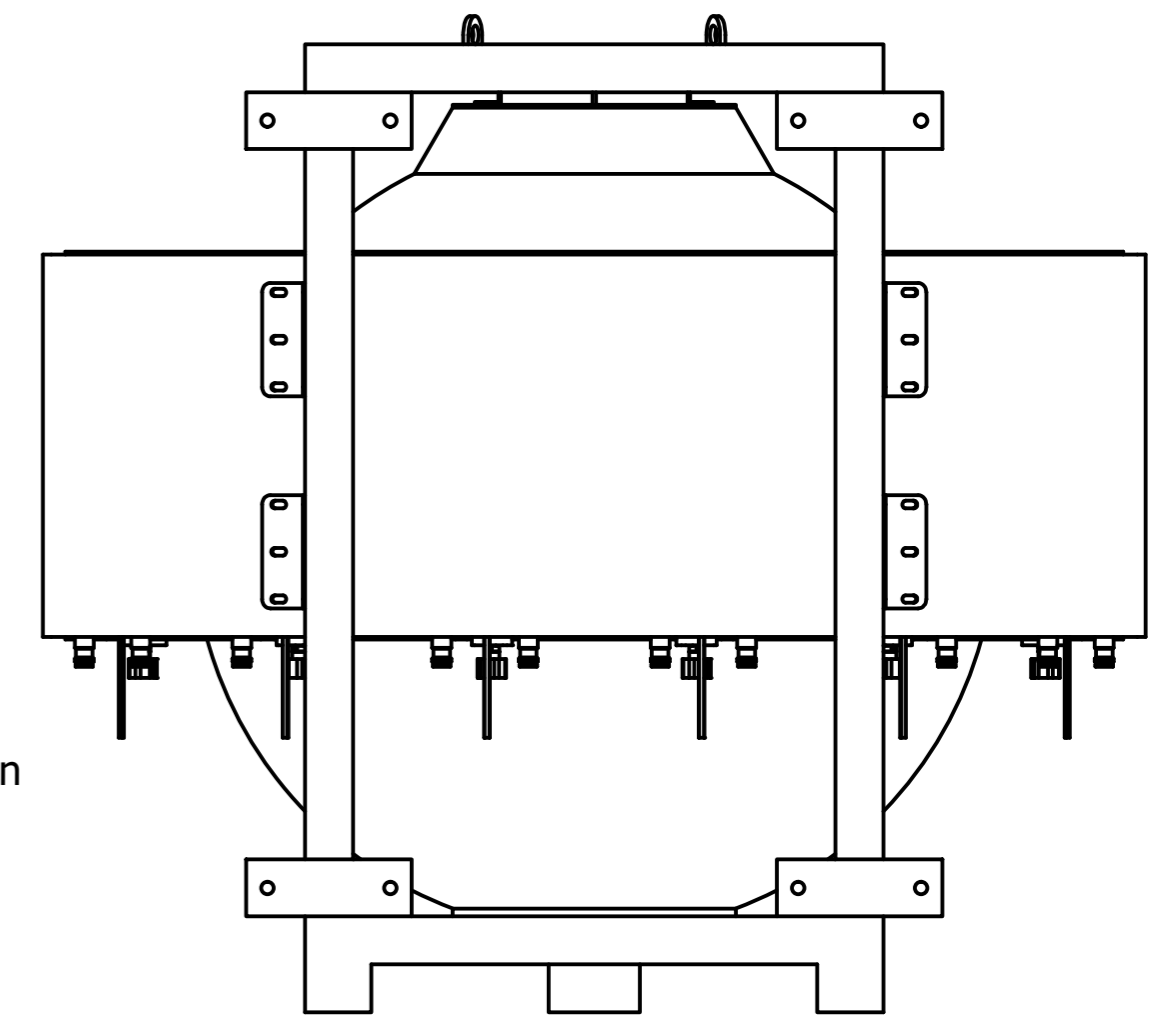
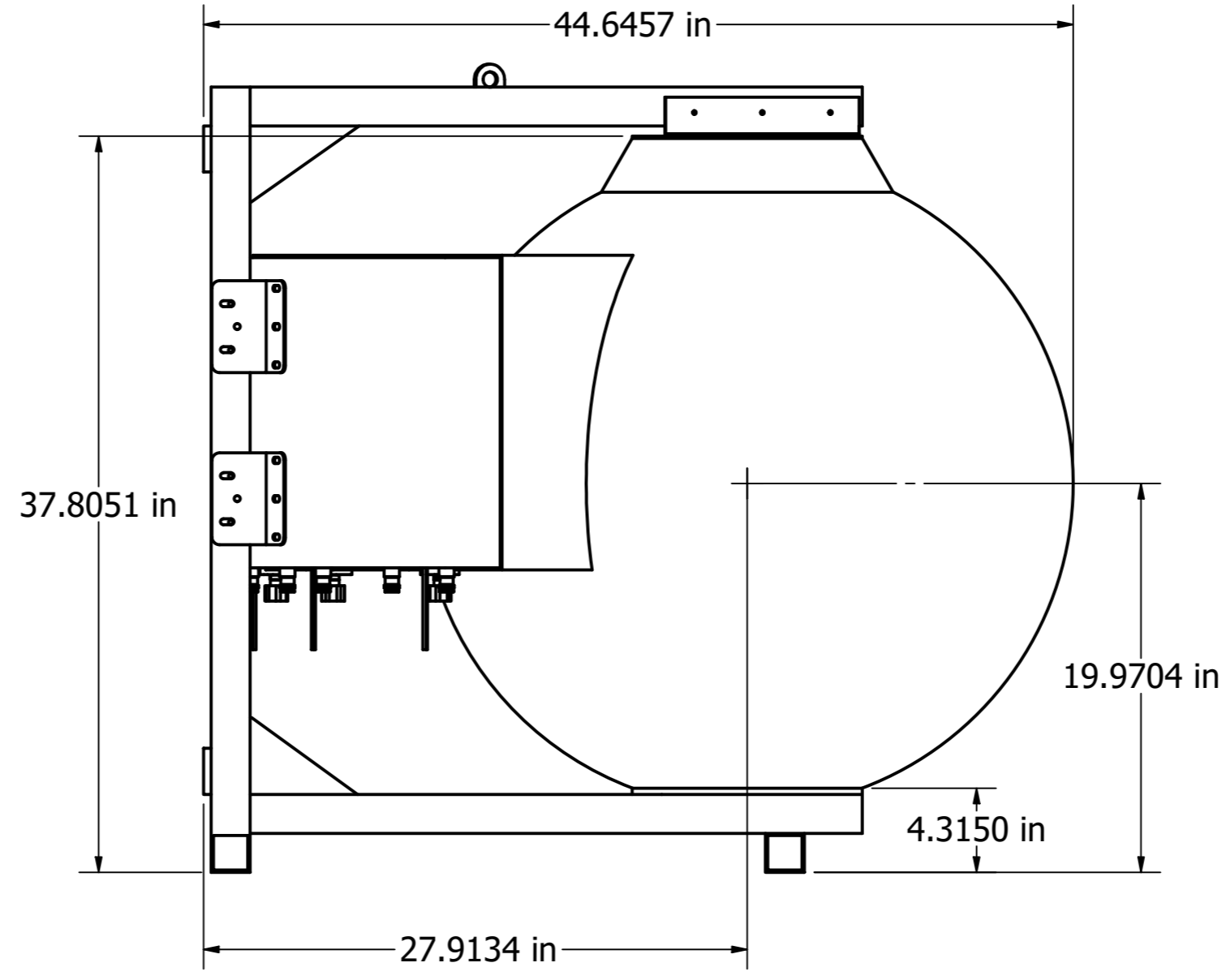
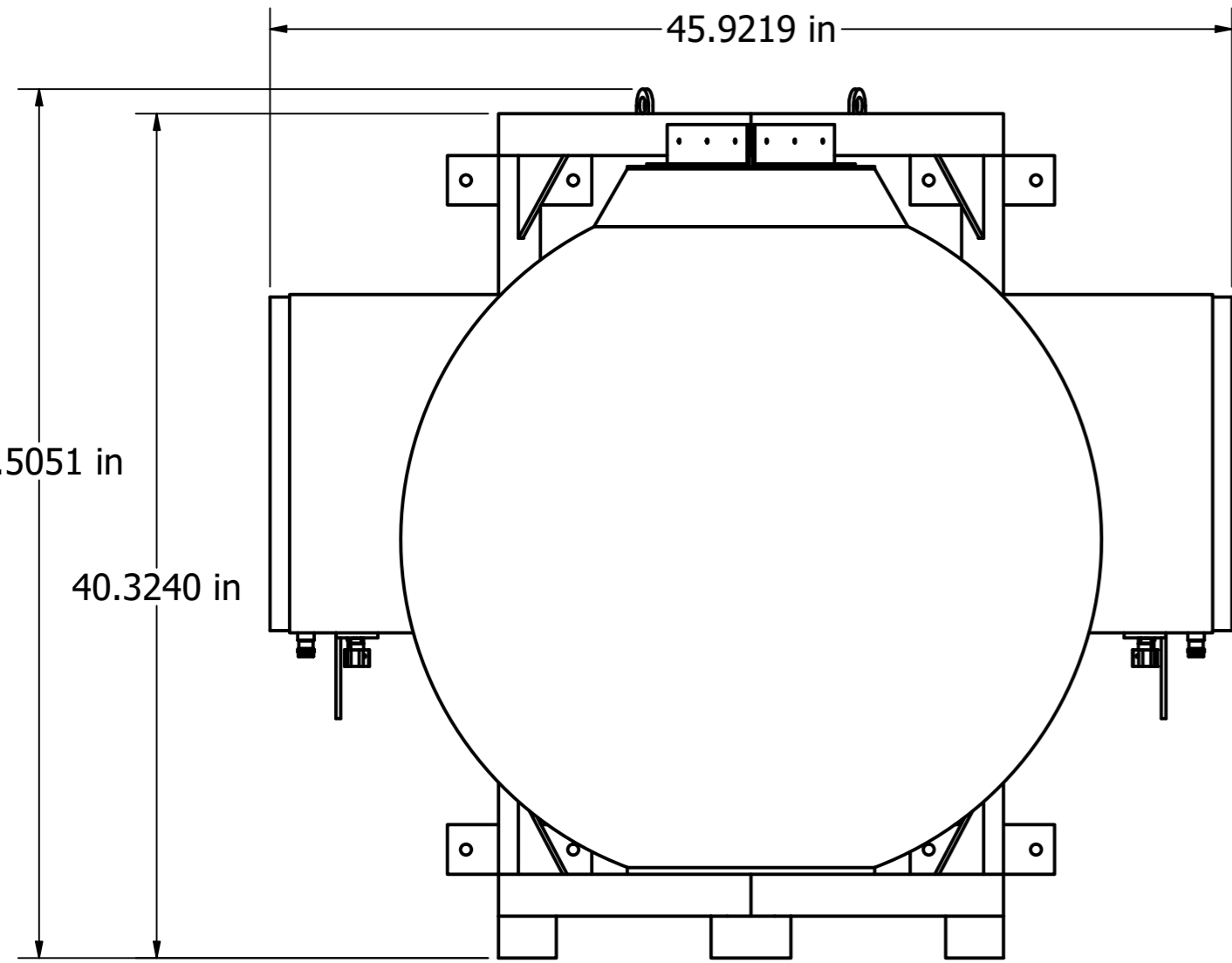


1 2 3 4 5 6 7 8

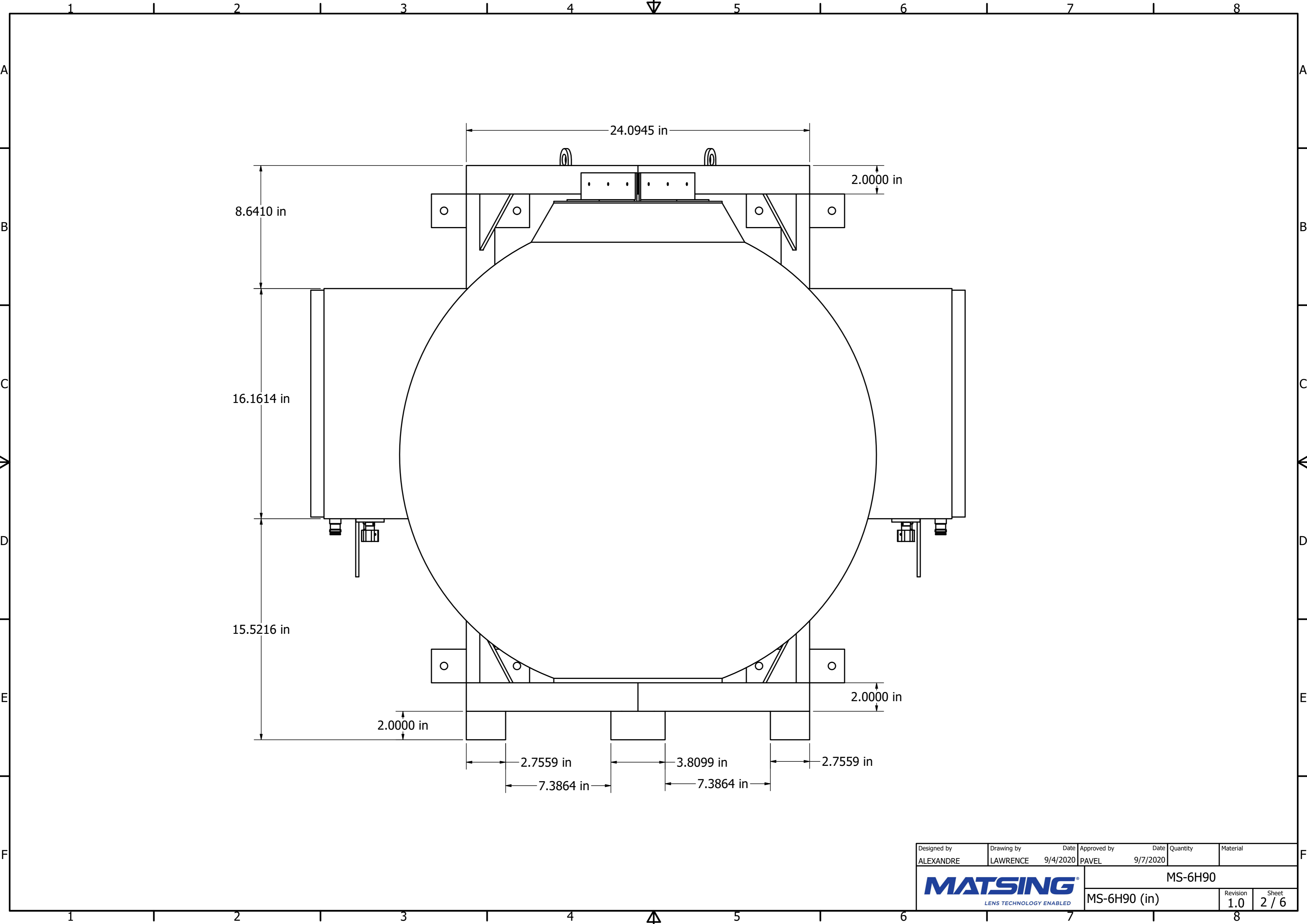
A
B
C
D
E
F


A
B
C
D
E
F

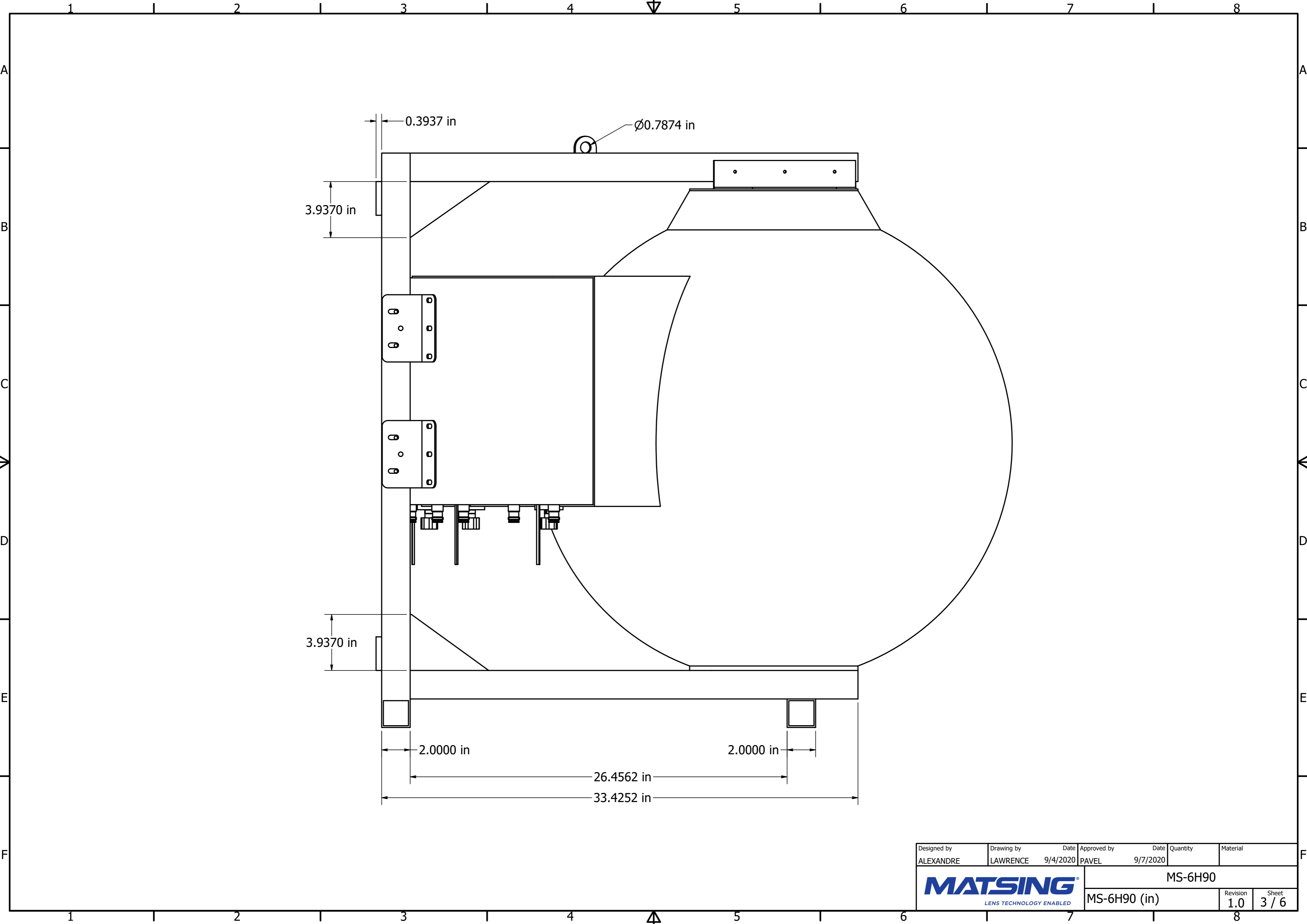



Designed by ALEXANDRE	Drawing by LAWRENCE	Date 9/4/2020	Approved by PAVEL	Date 9/7/2020	Quantity	Material	
MATSING LENS TECHNOLOGY ENABLED						MS-6H90	
MS-6H90 (in)						Revision 1.0	Sheet 1 / 6

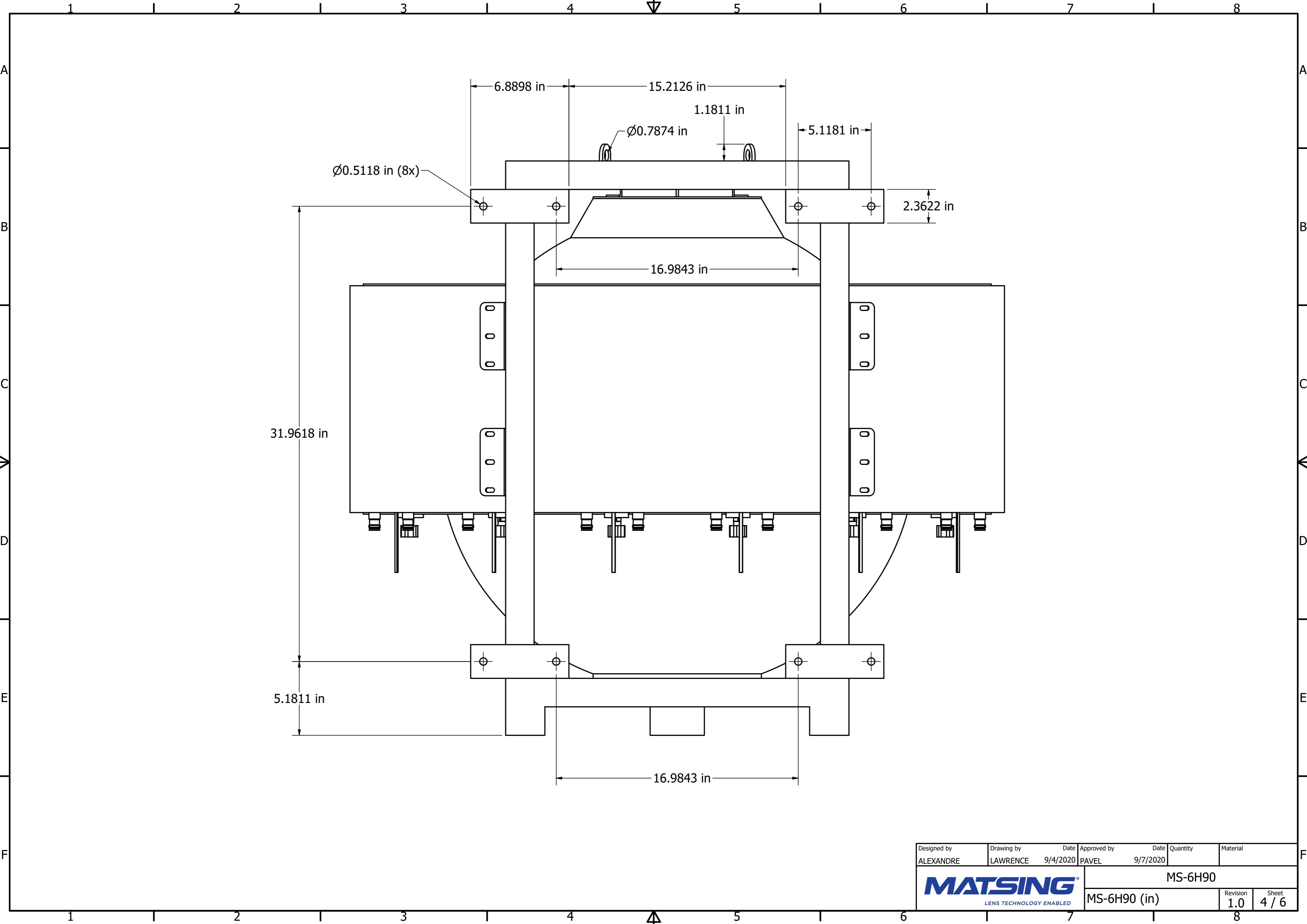
1 2 3 4 5 6 7 8



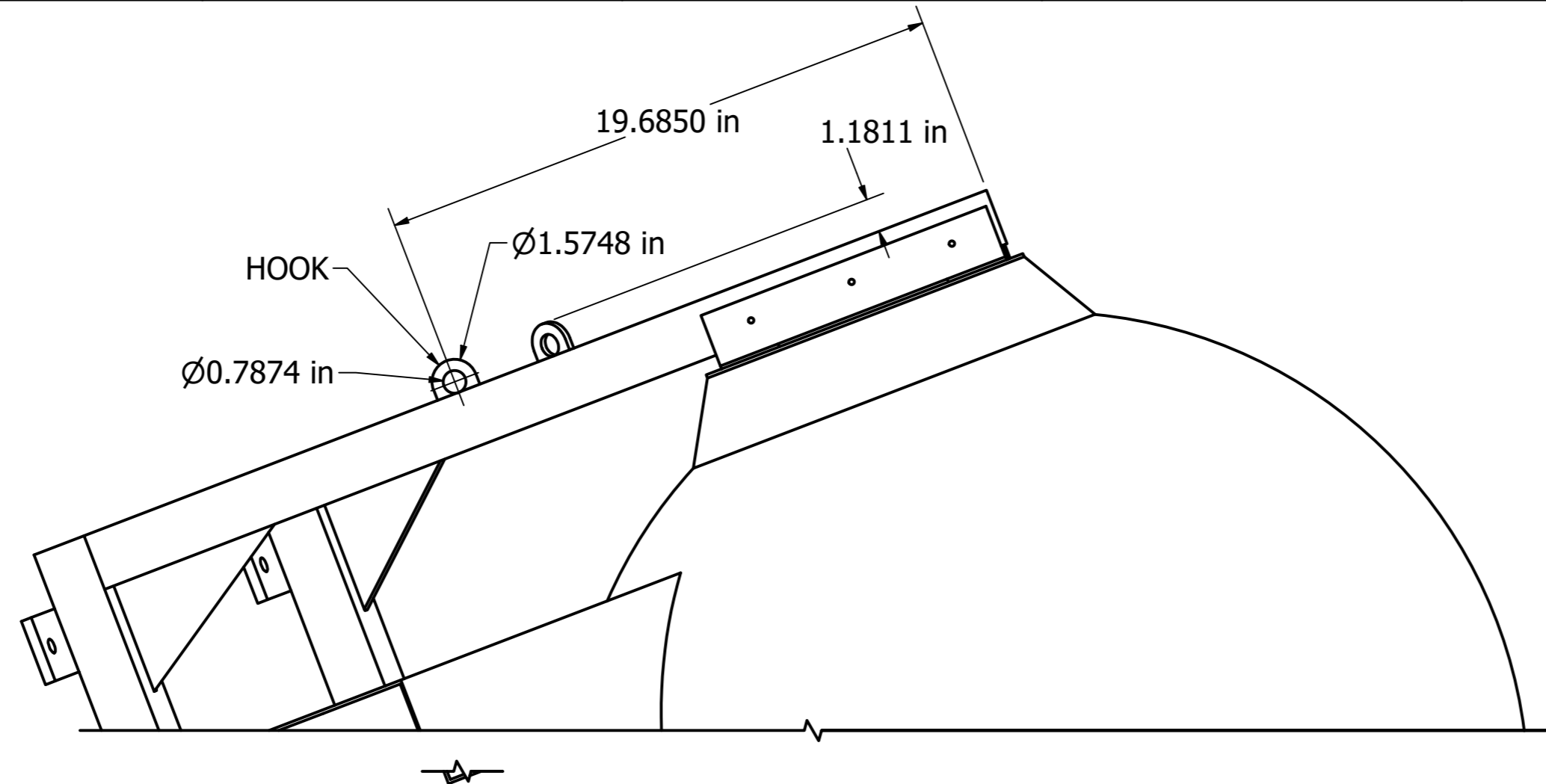
Designed by ALEXANDRE	Drawing by LAWRENCE	Date 9/4/2020	Approved by PAVEL	Date 9/7/2020	Quantity	Material
						MS-6H90
						MS-6H90 (in)



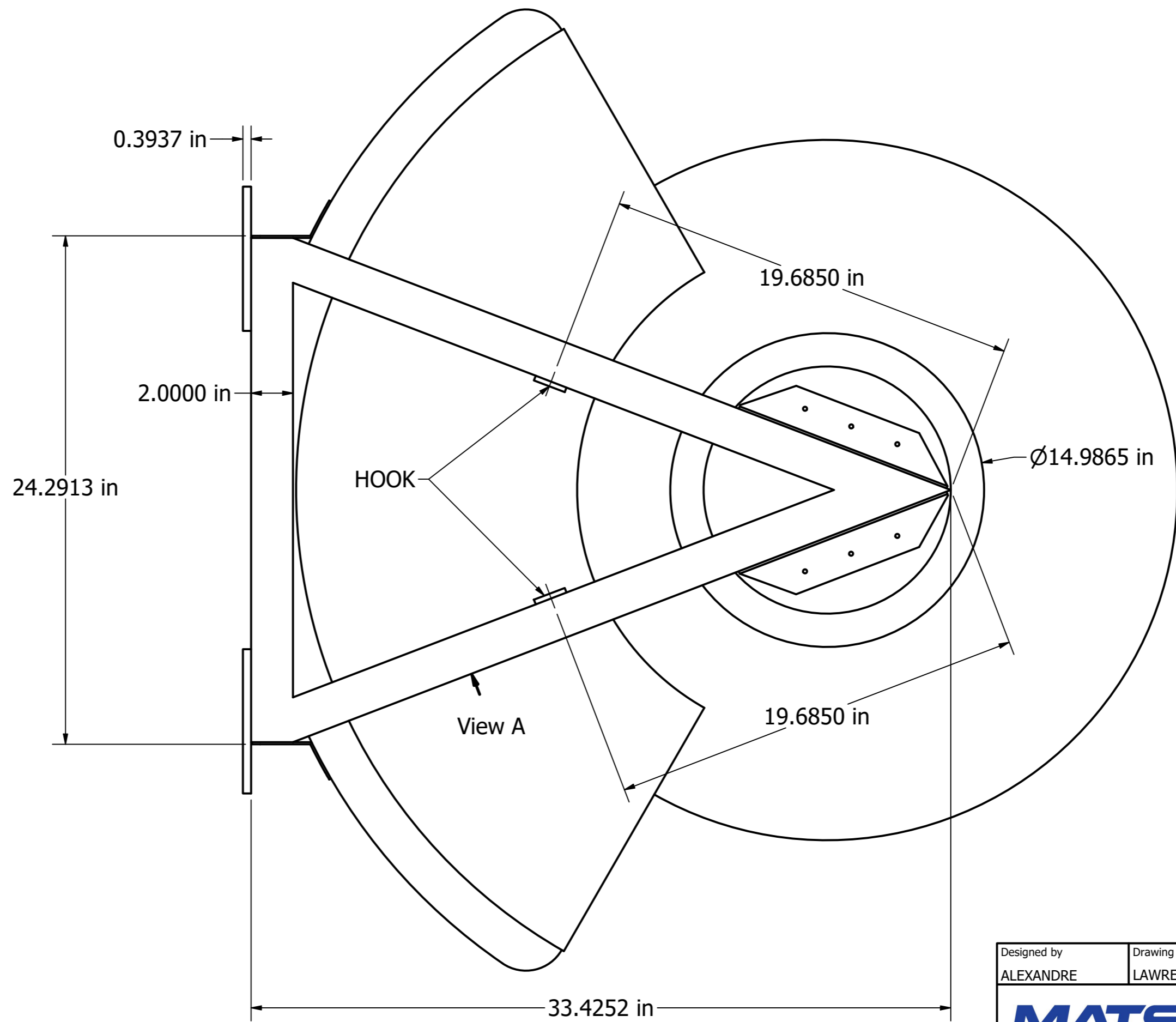
Designed by ALEXANDRE	Drawing by LAWRENCE	Date 9/4/2020	Approved by PAVEL	Date 9/7/2020	Quantity	Material
						MS-6H90
						MS-6H90 (in)




Designed by ALEXANDRE	Drawing by LAWRENCE	Date 9/4/2020	Approved by PAVEL	Date 9/7/2020	Quantity	Material
						MS-6H90
						MS-6H90 (in)

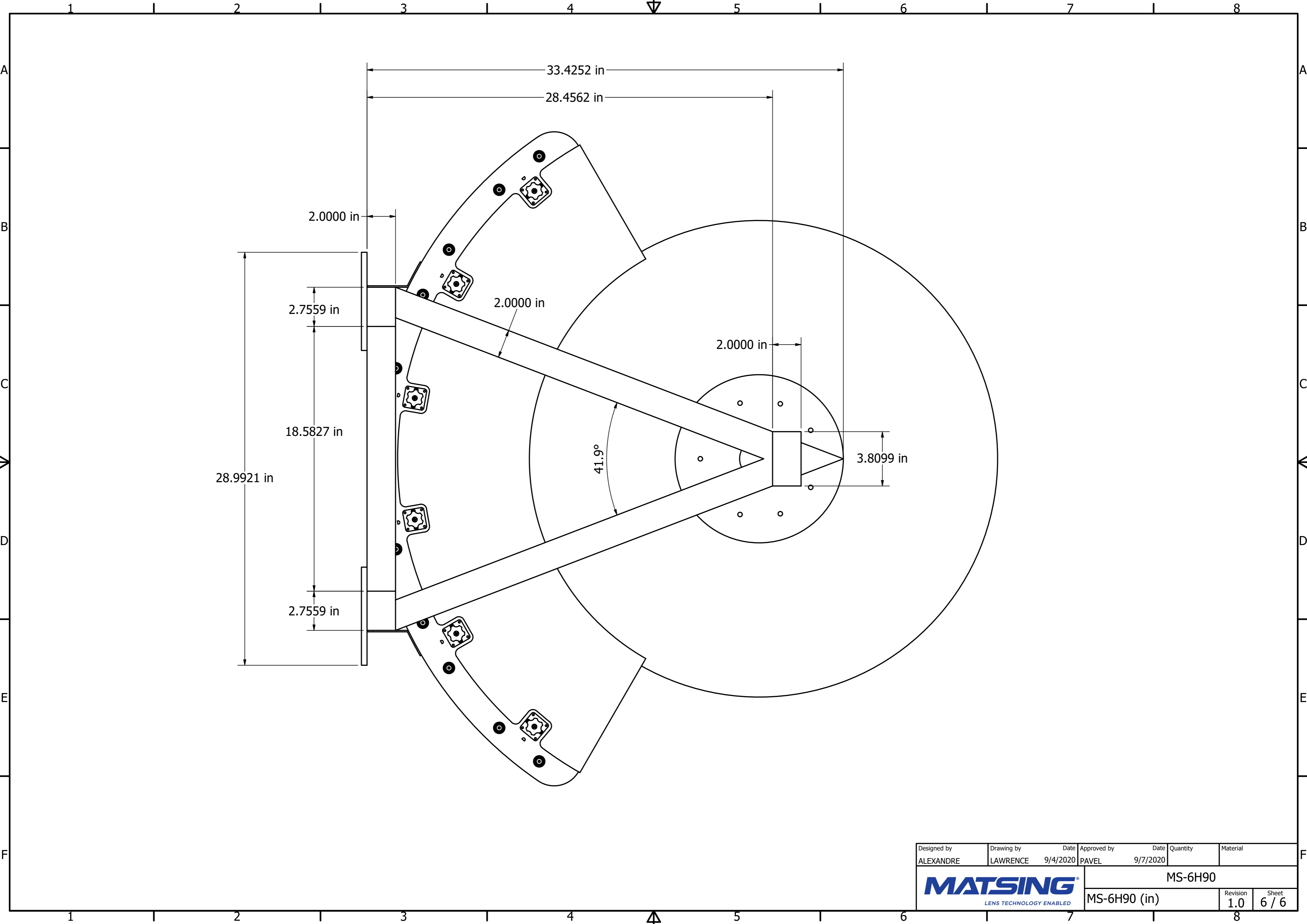



View A



View A

Designed by ALEXANDRE	Drawing by LAWRENCE	Date 9/4/2020	Approved by PAVEL	Date 9/7/2020	Quantity	Material
					MS-6H90	
					MS-6H90 (in)	Revision 1.0



Designed by ALEXANDRE	Drawing by LAWRENCE	Date 9/4/2020	Approved by PAVEL	Date 9/7/2020	Quantity	Material
 MATSING <small>LENS TECHNOLOGY ENABLED</small>					MS-6H90	
					MS-6H90 (in)	Revision 1.0