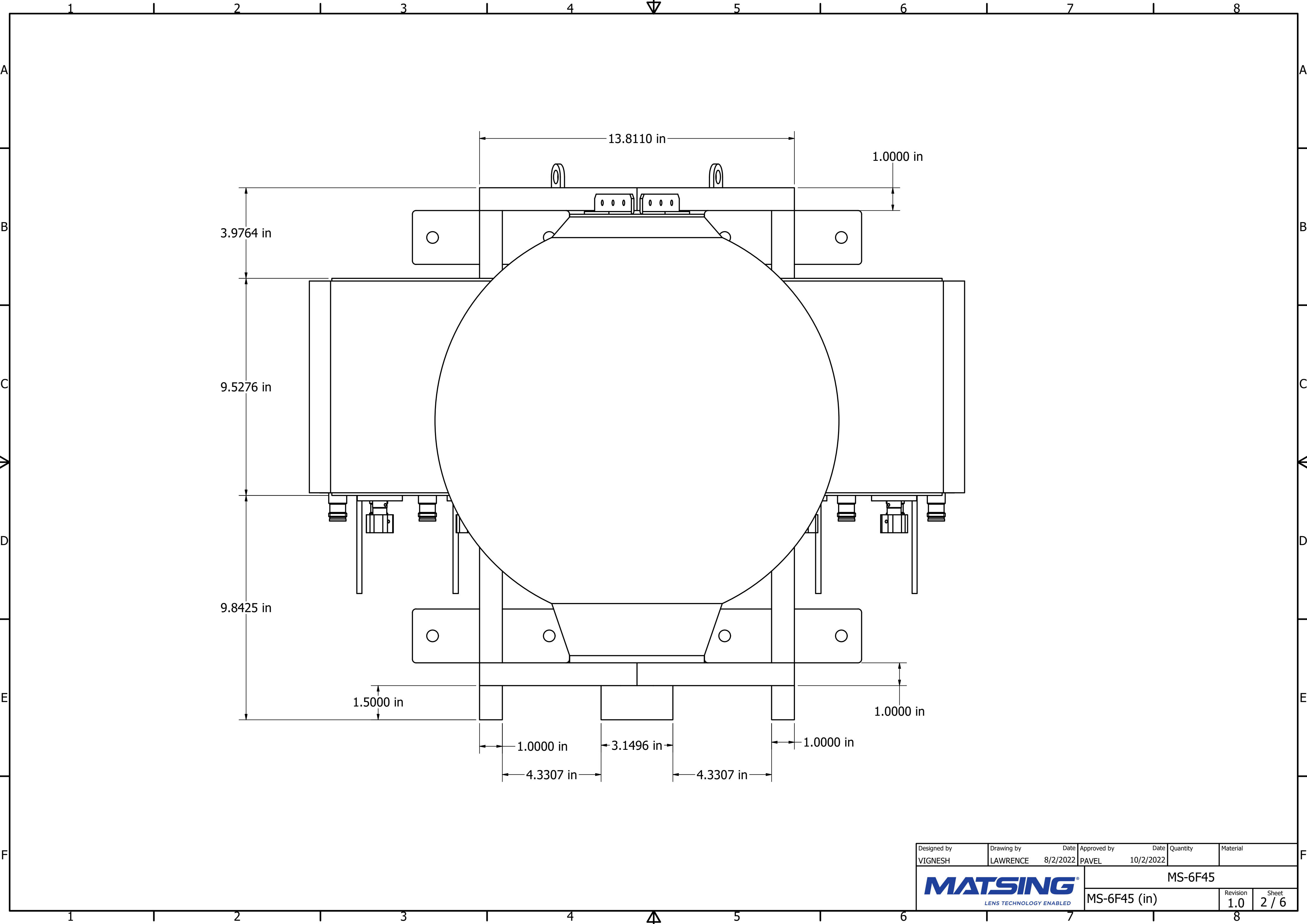

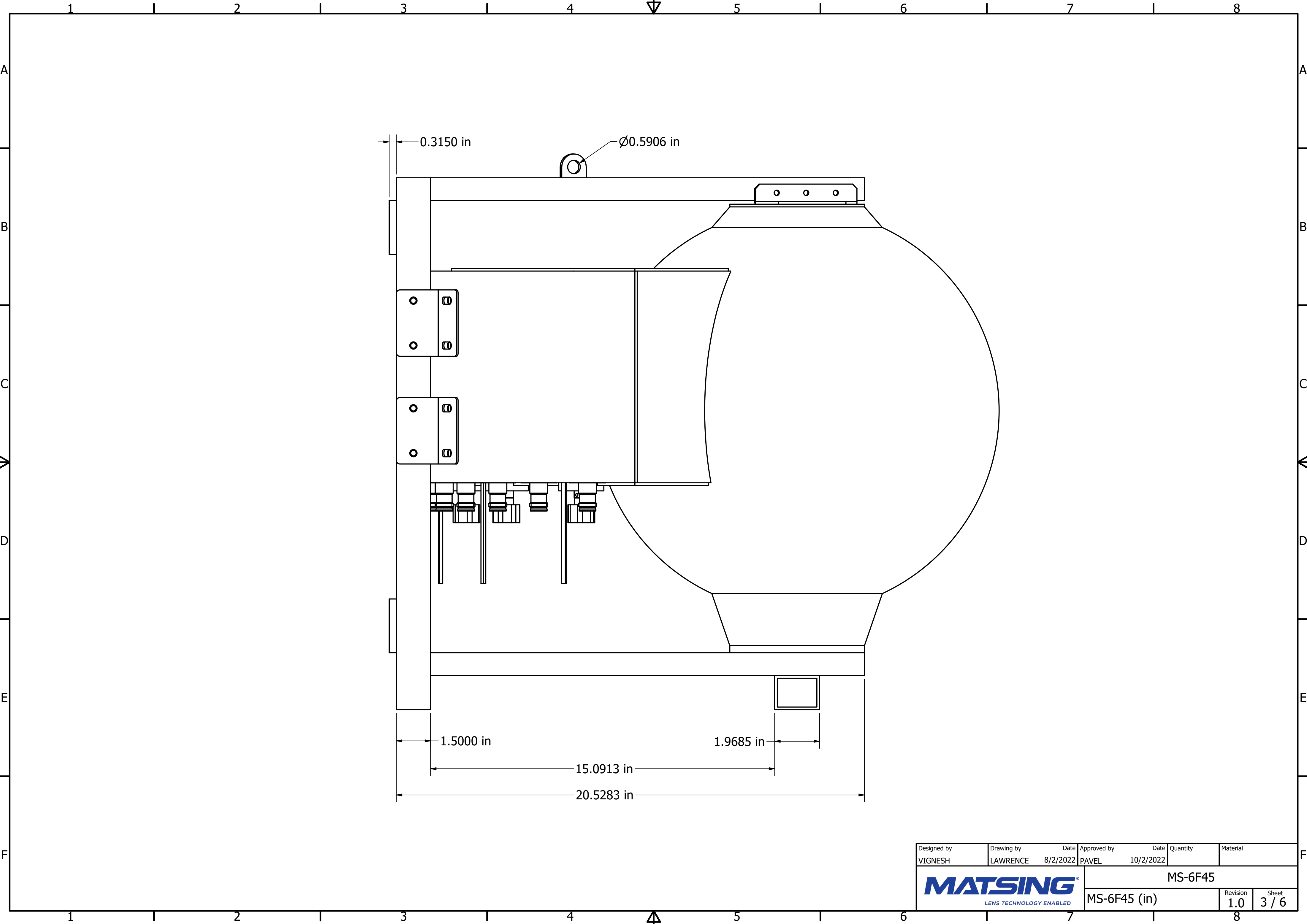



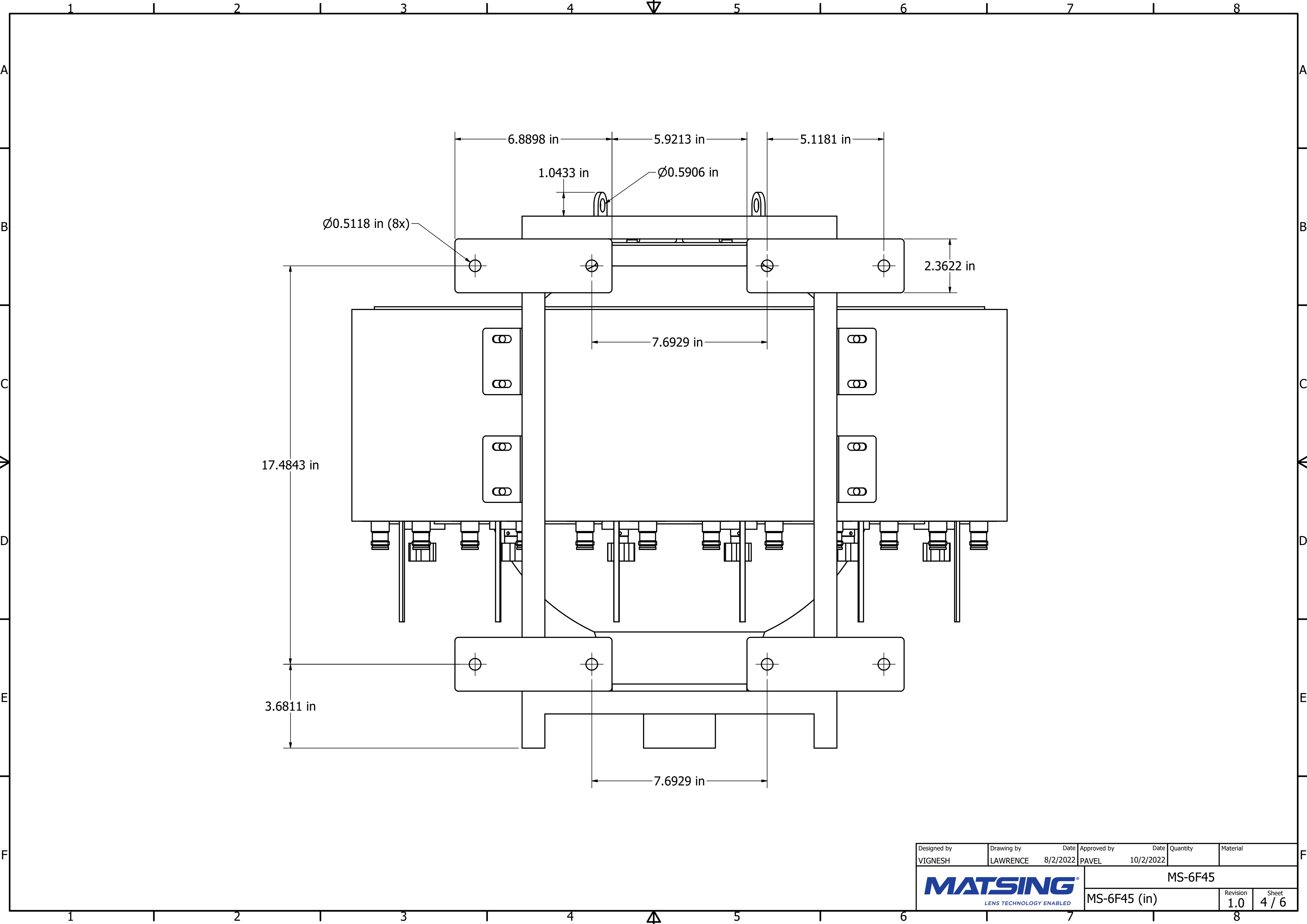
Designed by	Drawing by	Date	Approved by	Date	Quantity	Material	
VIGNESH	LAWRENCE	8/2/2022	PAVEL	10/2/2022			
MATSING LENS TECHNOLOGY ENABLED						MS-6F45	
MS-6F45 (in)						Revision 1.0	Sheet 1 / 6




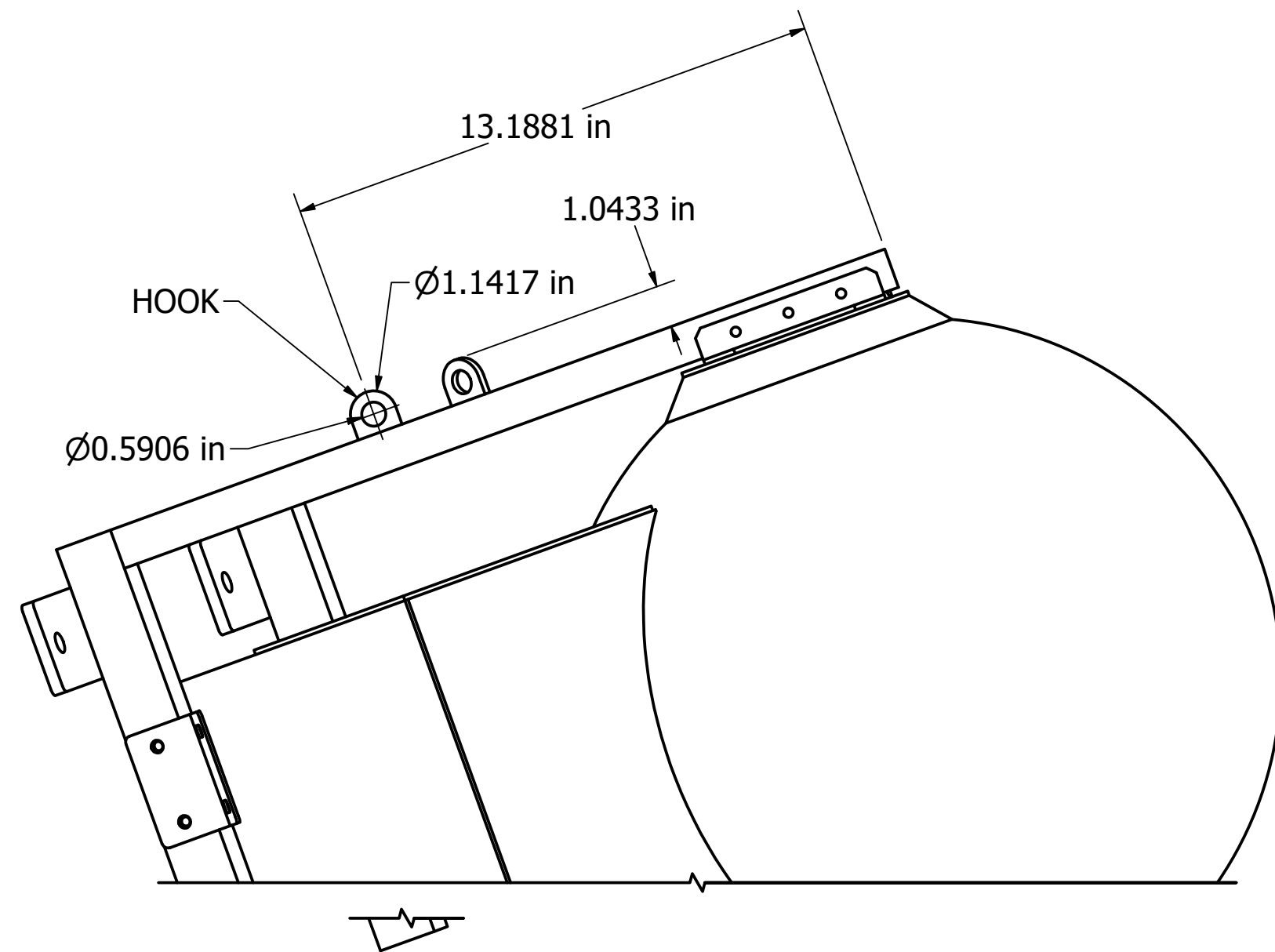
Designed by VIGNESH	Drawing by LAWRENCE	Date 8/2/2022	Approved by PAVEL	Date 10/2/2022	Quantity	Material
						MS-6F45
						MS-6F45 (in)



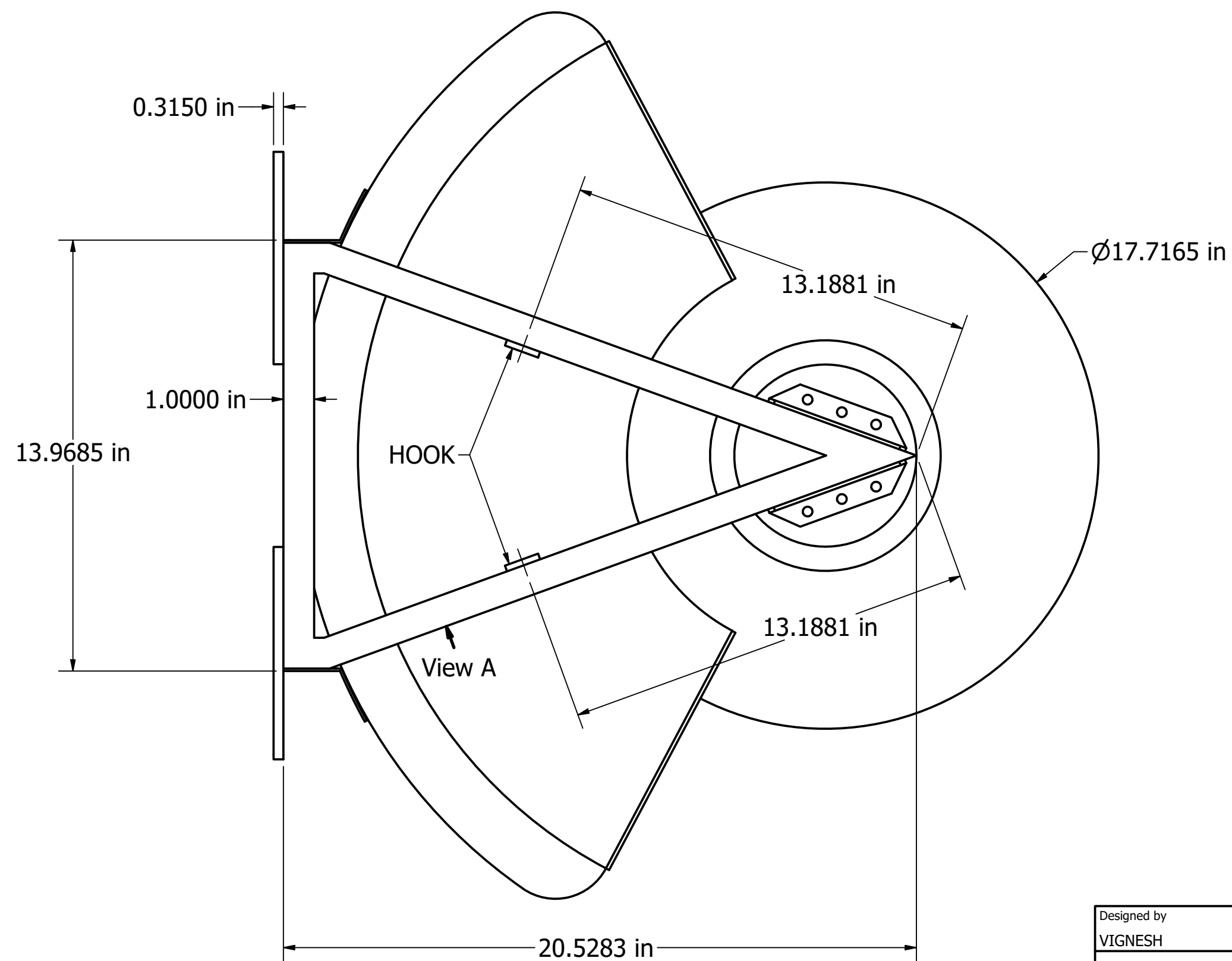
Designed by VIGNESH	Drawing by LAWRENCE	Date 8/2/2022	Approved by PAVEL	Date 10/2/2022	Quantity	Material
 MATSING <small>LENS TECHNOLOGY ENABLED</small>					MS-6F45	
					MS-6F45 (in)	Revision 1.0




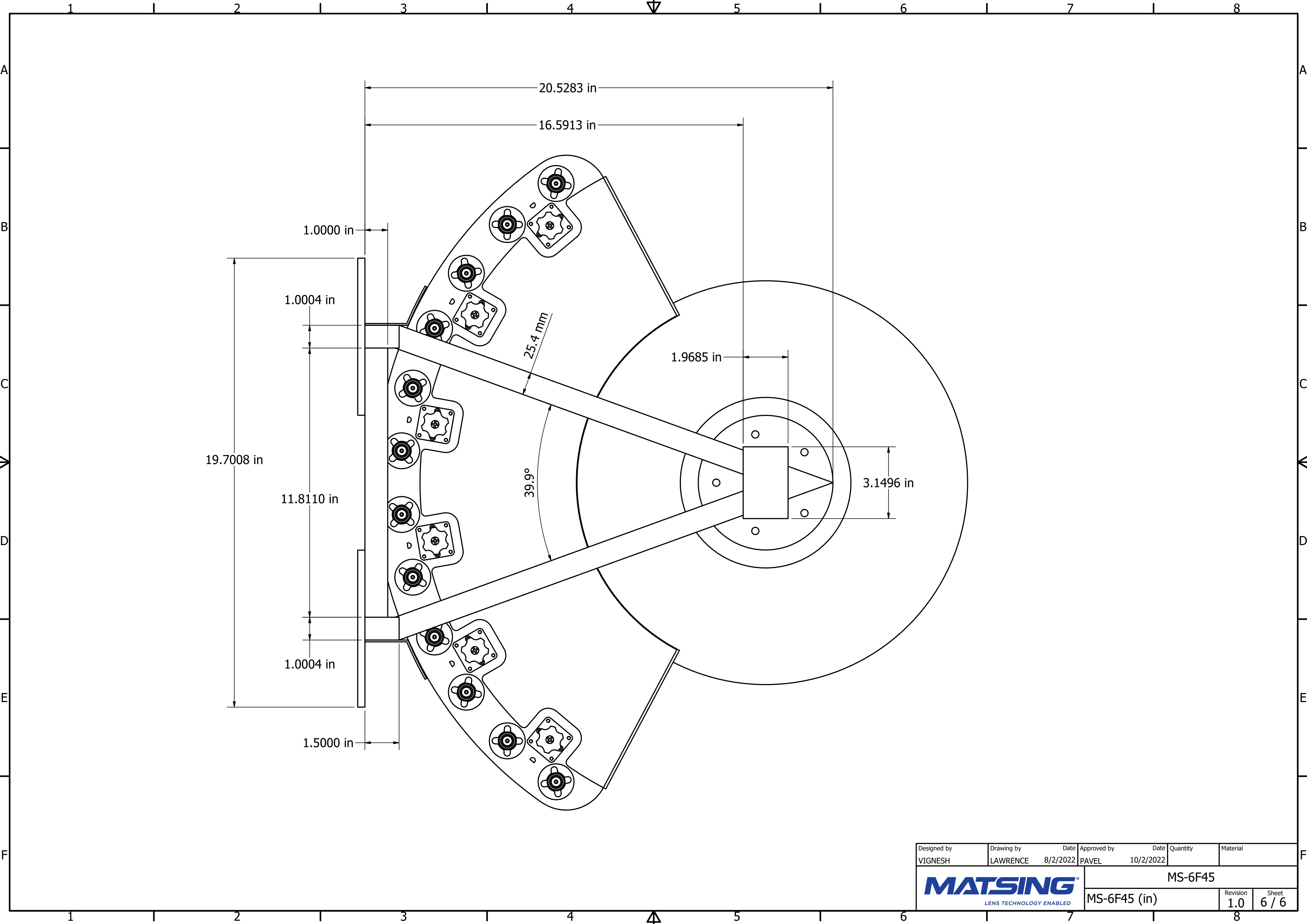
Designed by VIGNESH	Drawing by LAWRENCE	Date 8/2/2022	Approved by PAVEL	Date 10/2/2022	Quantity	Material
					MS-6F45	
					MS-6F45 (in)	Revision 1.0




View A



Designed by VIGNESH	Drawing by LAWRENCE	Date 8/2/2022	Approved by PAVEL	Date 10/2/2022	Quantity	Material
					MS-6F45	
					MS-6F45 (in)	Revision 1.0



Designed by VIGNESH	Drawing by LAWRENCE	Date 8/2/2022	Approved by PAVEL	Date 10/2/2022	Quantity	Material
 MATSING <small>LENS TECHNOLOGY ENABLED</small>					MS-6F45	
					MS-6F45 (in)	Revision 1.0