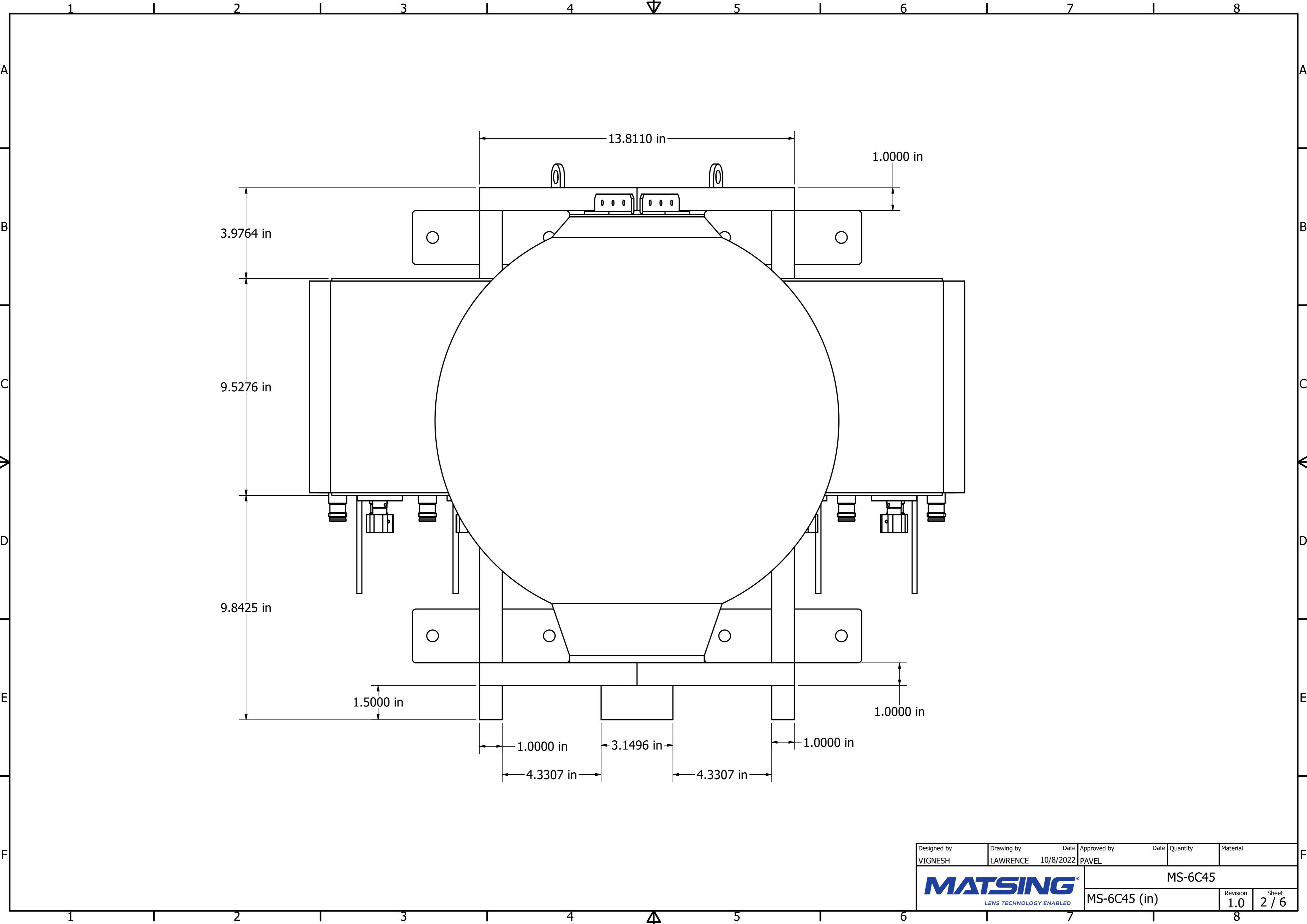

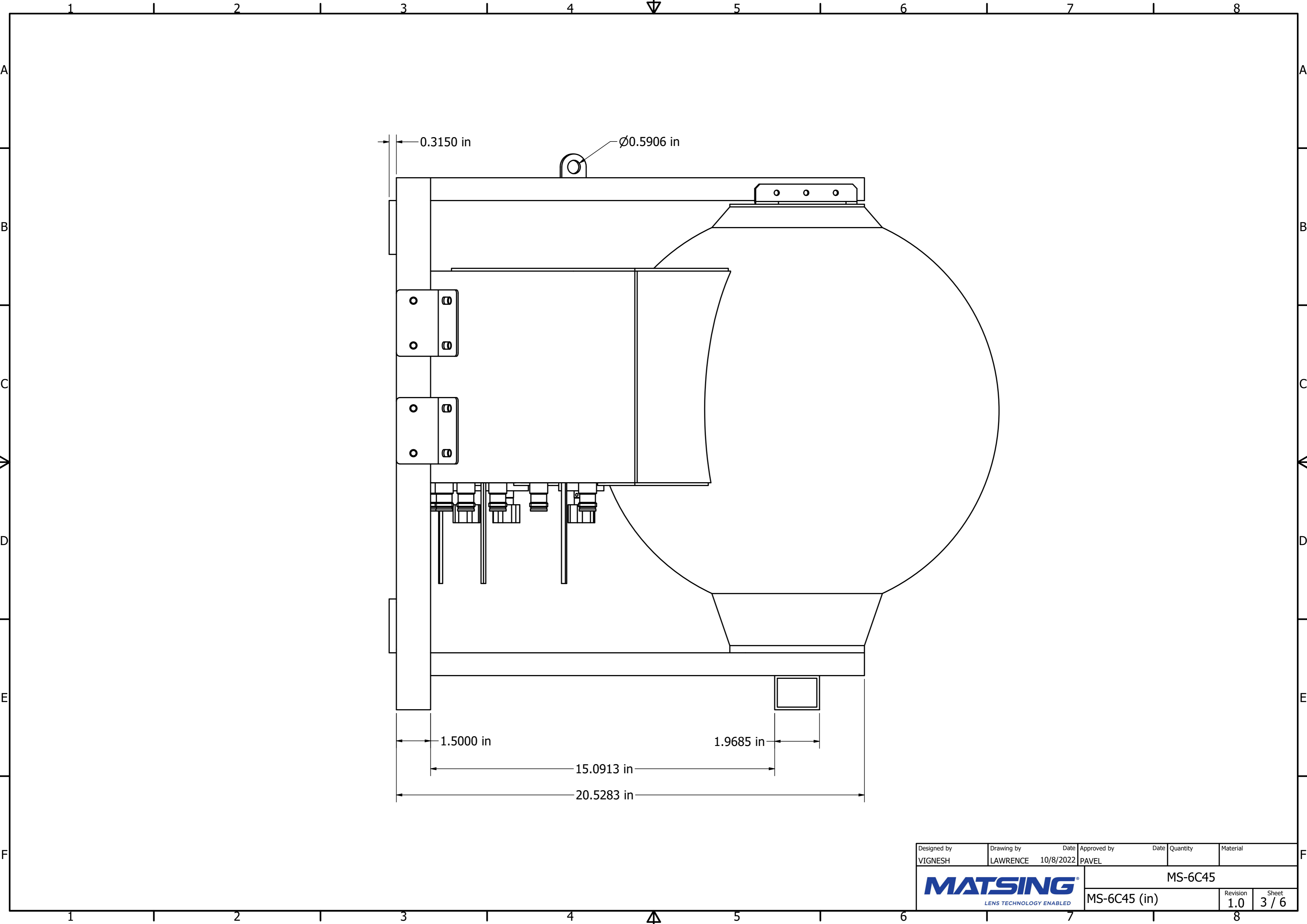



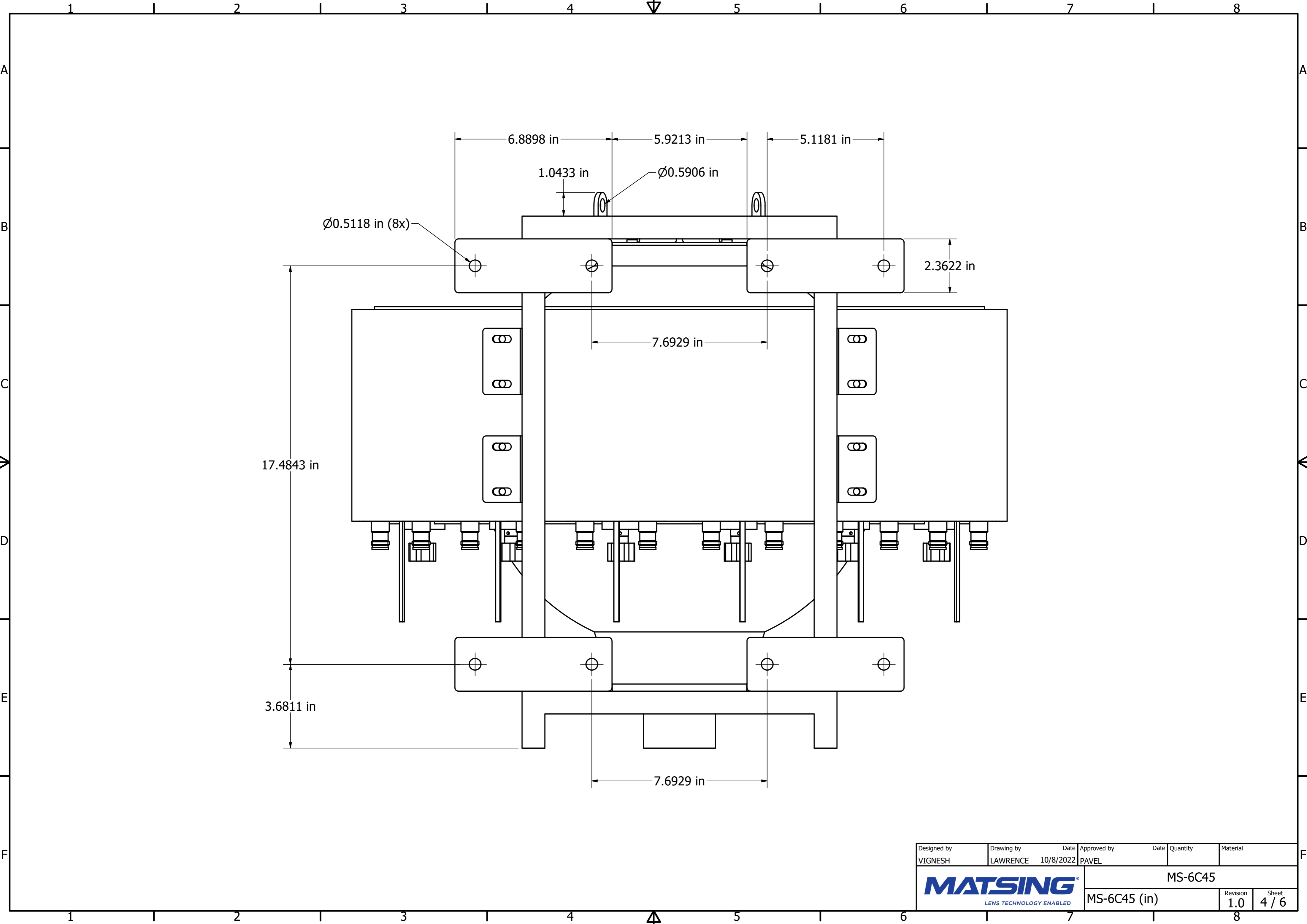
Designed by VIGNESH	Drawing by LAWRENCE	Date 10/8/2022	Approved by PAVEL	Date	Quantity	Material
MATSING LENS TECHNOLOGY ENABLED			MS-6C45			
MS-6C45 (in)				Revision 1.0	Sheet 1 / 6	




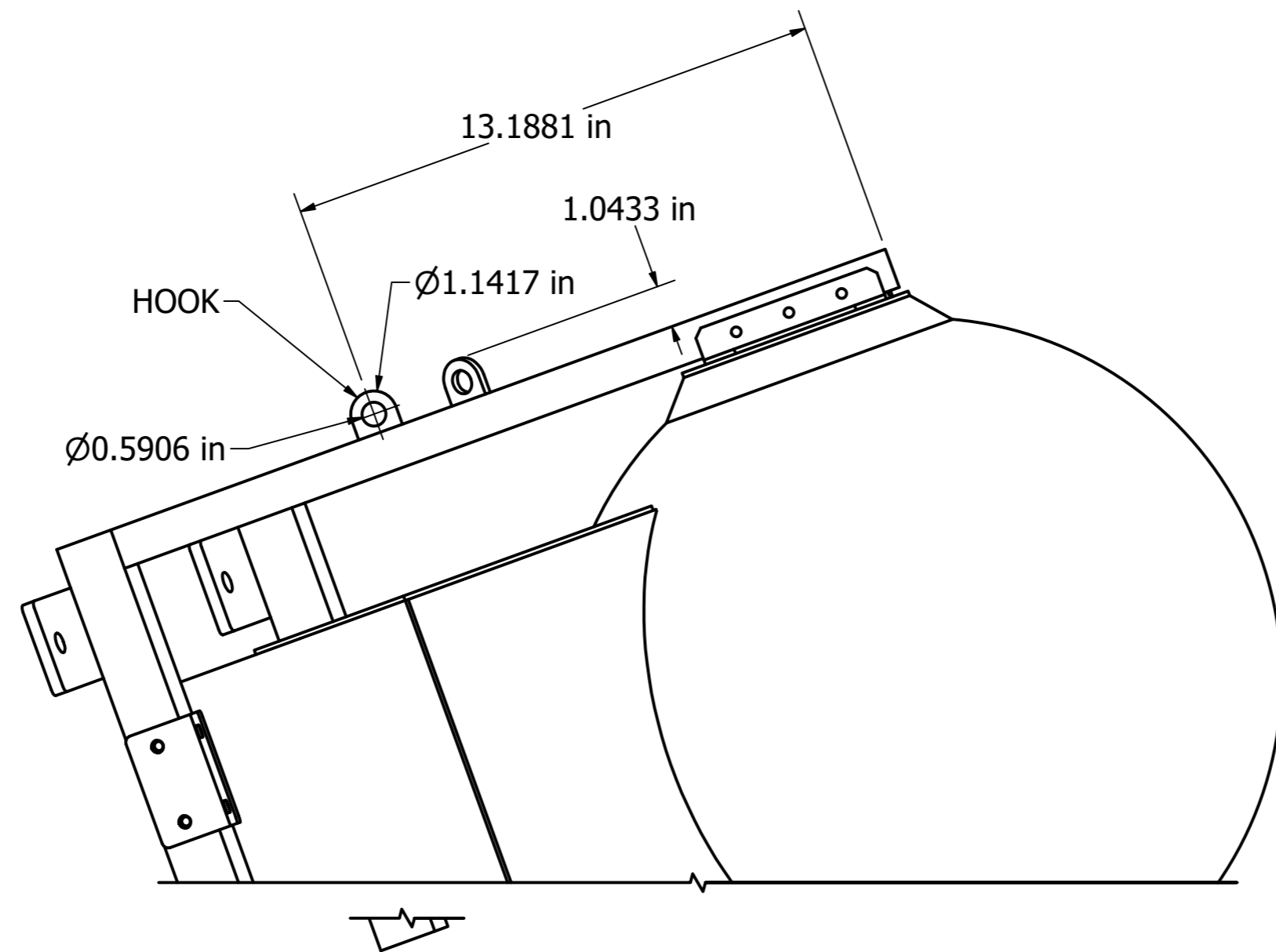
Designed by VIGNESH	Drawing by LAWRENCE	Date 10/8/2022	Approved by PAVEL	Date	Quantity	Material
 MATSING <small>LENS TECHNOLOGY ENABLED</small>			MS-6C45			
			MS-6C45 (in)			Revision 1.0



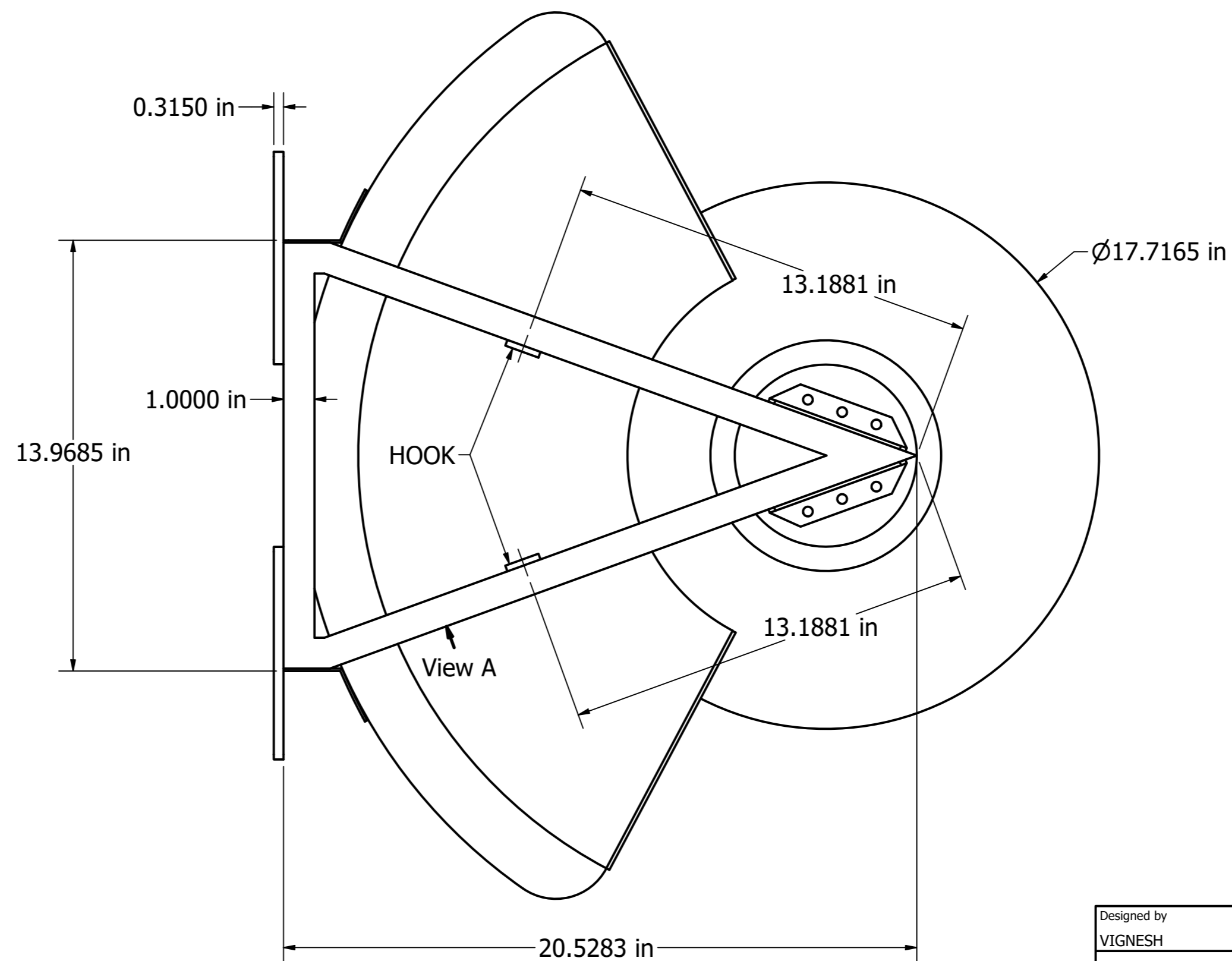
Designed by VIGNESH	Drawing by LAWRENCE	Date 10/8/2022	Approved by PAVEL	Date	Quantity	Material
 <small>LENS TECHNOLOGY ENABLED</small>			MS-6C45			
			MS-6C45 (in)			Revision 1.0




Designed by VIGNESH	Drawing by LAWRENCE	Date 10/8/2022	Approved by PAVEL	Date	Quantity	Material
 <small>LENS TECHNOLOGY ENABLED</small>			MS-6C45			
			MS-6C45 (in)			Revision 1.0

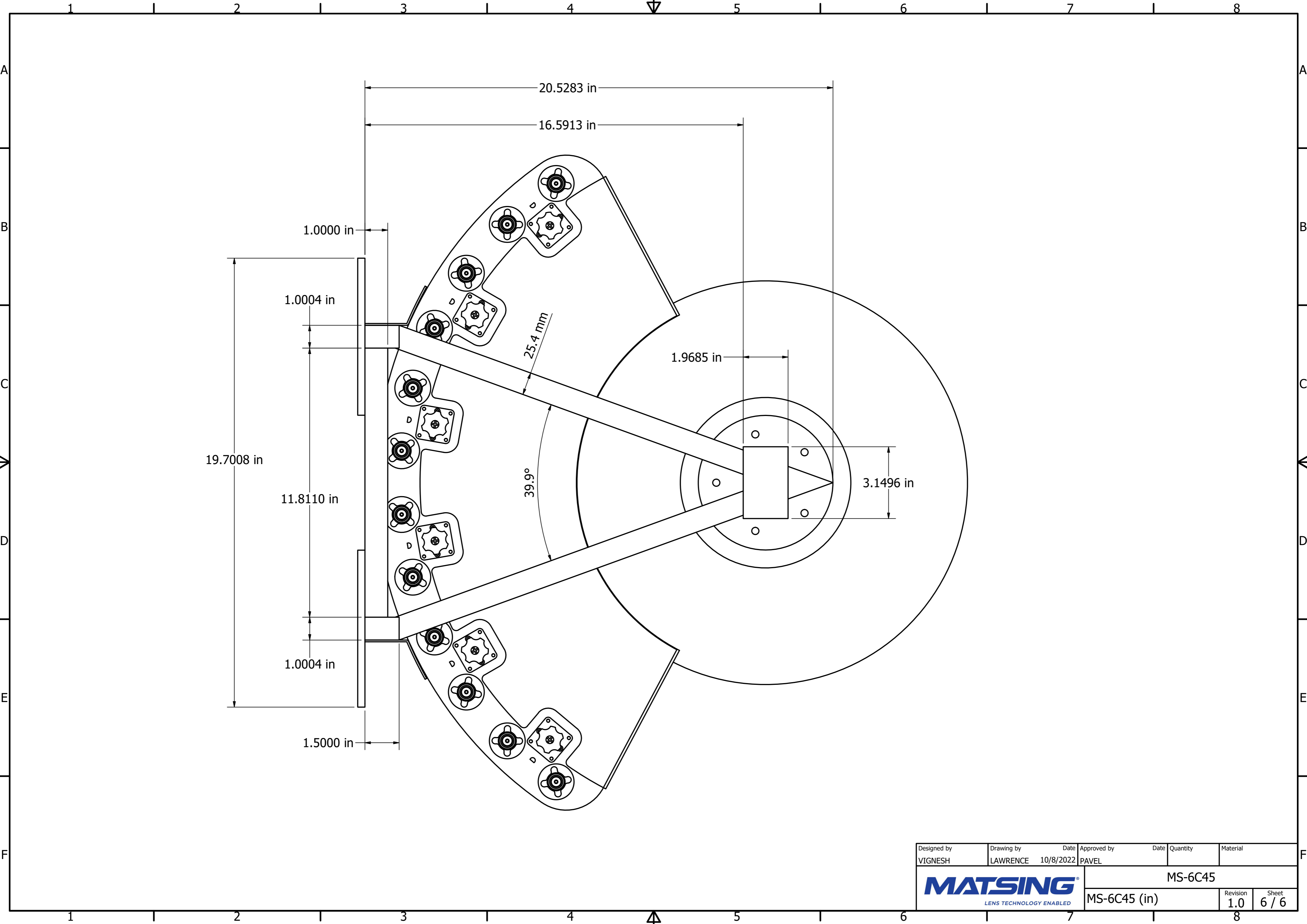



View A



View A

Designed by	Drawing by	Date	Approved by	Date	Quantity	Material
VIGNESH	LAWRENCE	10/8/2022	PAVEL			MS-6C45
					MS-6C45 (in)	
					Revision 1.0	Sheet 5 / 6



Designed by VIGNESH	Drawing by LAWRENCE	Date 10/8/2022	Approved by PAVEL	Date	Quantity	Material
 <small>LENS TECHNOLOGY ENABLED</small>			MS-6C45			
			MS-6C45 (in)			Revision 1.0