

Wind Load

Antenna MS-6.3DB90

Antenna Model Number

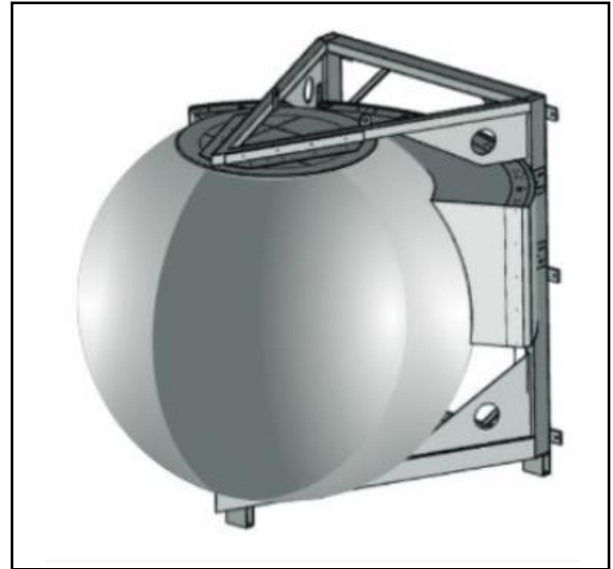
MS-6.3DB90

Velocity [km/h]

150

Dimensions: H x W x D [mm]

1124 X 1170 X 1134



Results

	Frontal	Lateral
Wind Load [N/lbf]	646/145	753/169