

Wind Load

Antenna MS-6.3DB90-T

Antenna Model Number

MS-6.3DB90-T

Velocity [km/h]

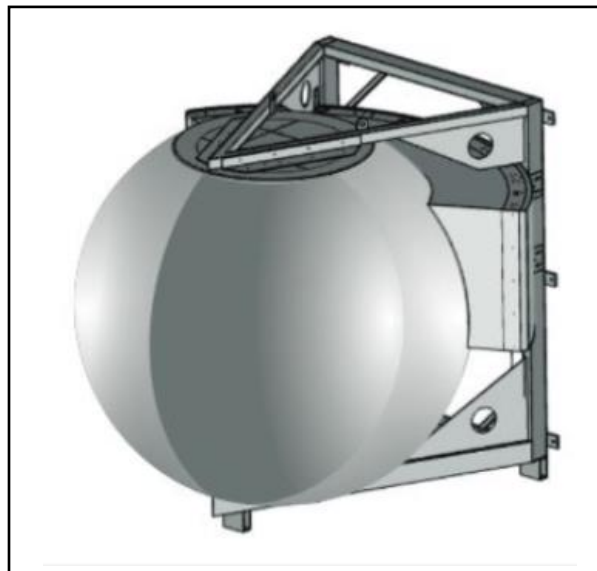
151

Dimensions: H x W x D [mm]

1054 X 1166 X 1133

Spherical Lens Diameter [mm]

900



Results

	Frontal	Lateral
Wind Load [N/lbf]	754/170	—