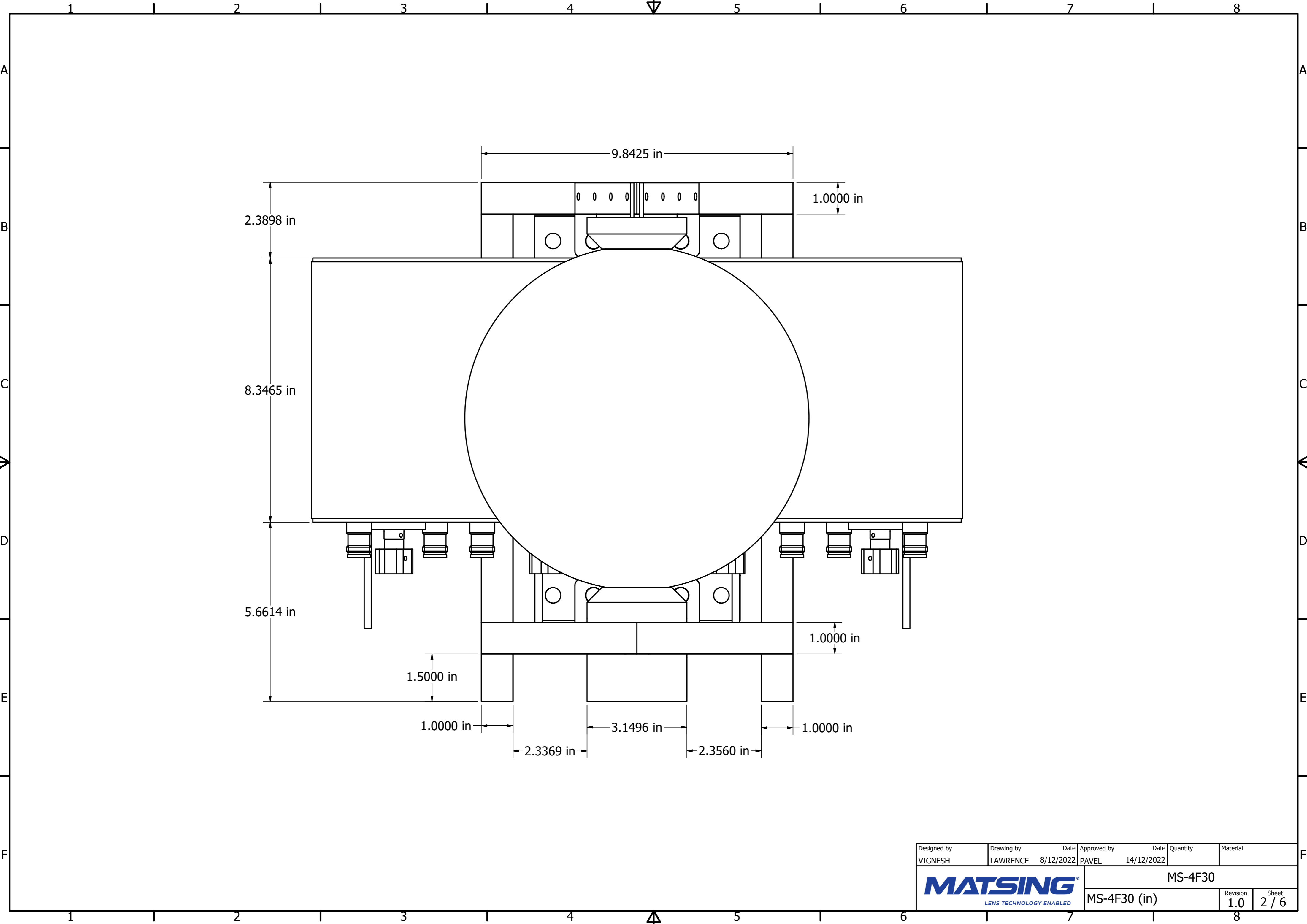

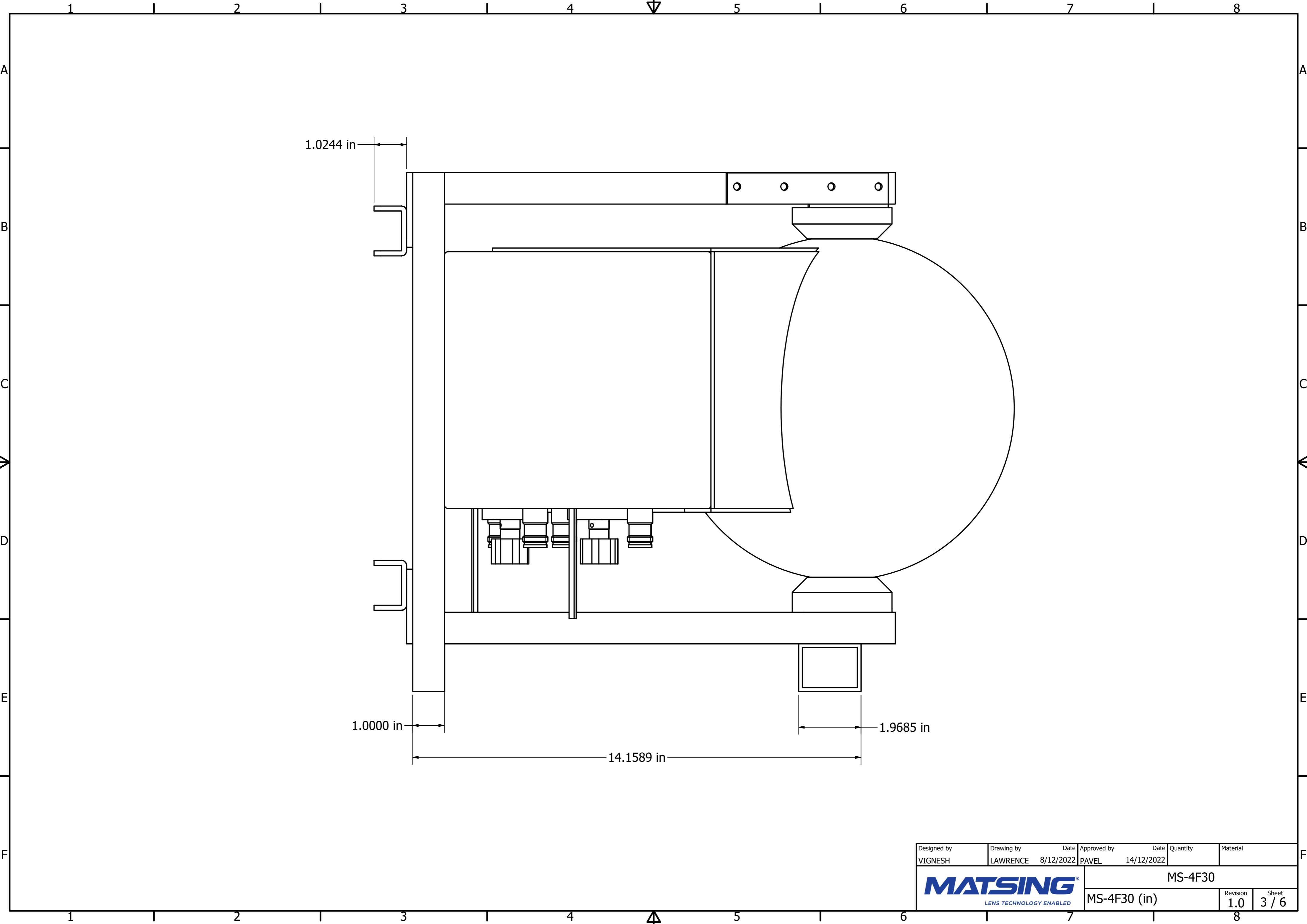



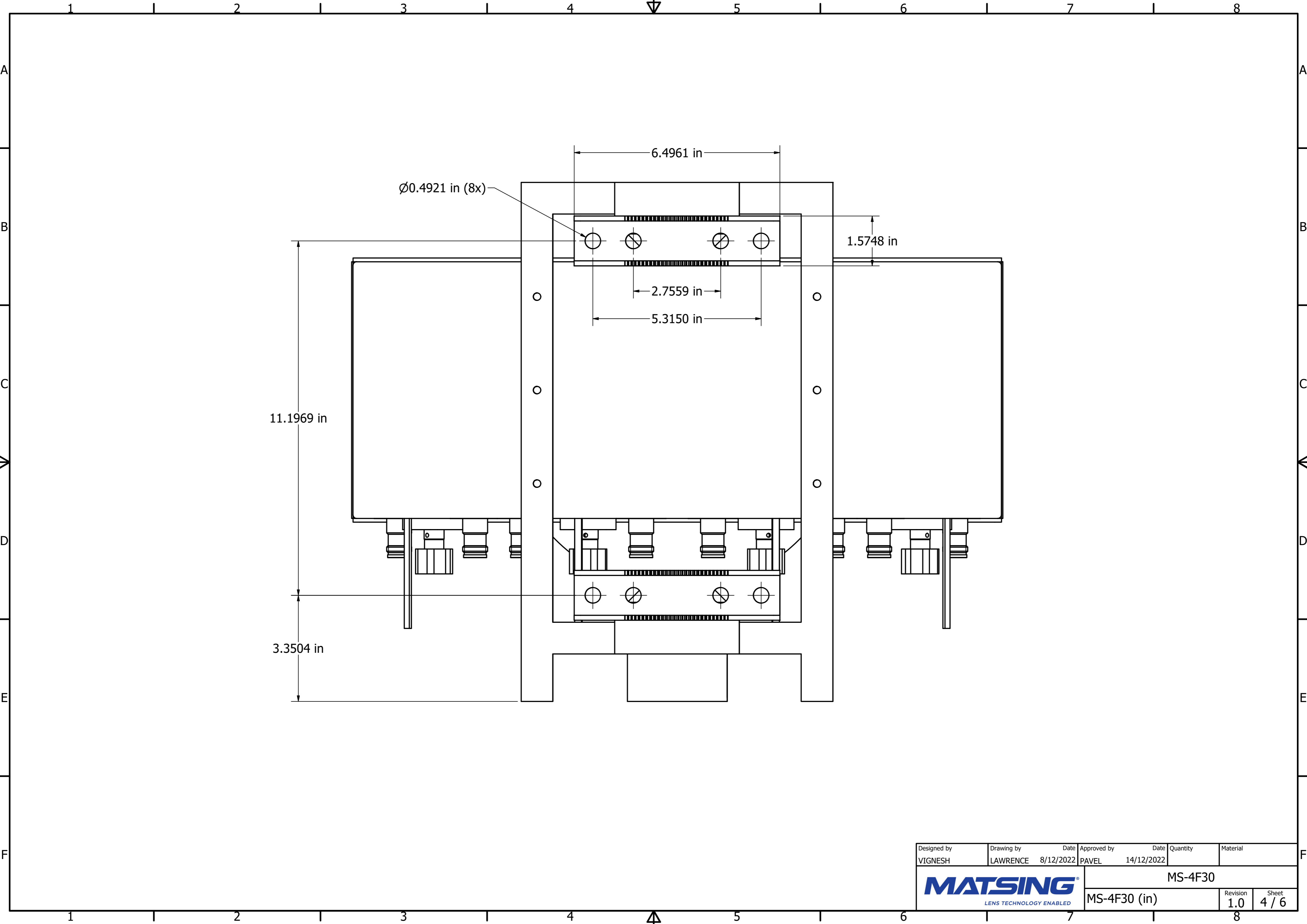
| | | | | | | |
|---|------------------------|-------------------|----------------------|--------------------|-----------------|----------------|
| Designed by VIGNESH | Drawing by LAWRENCE | Date 8/12/2022 | Approved by PAVEL | Date 14/12/2022 | Quantity | Material |
| MATSING LENS TECHNOLOGY ENABLED | | | | | | MS-4F30 |
| MS-4F30 (in) | | | | | Revision 1.0 | Sheet 1 / 6 |




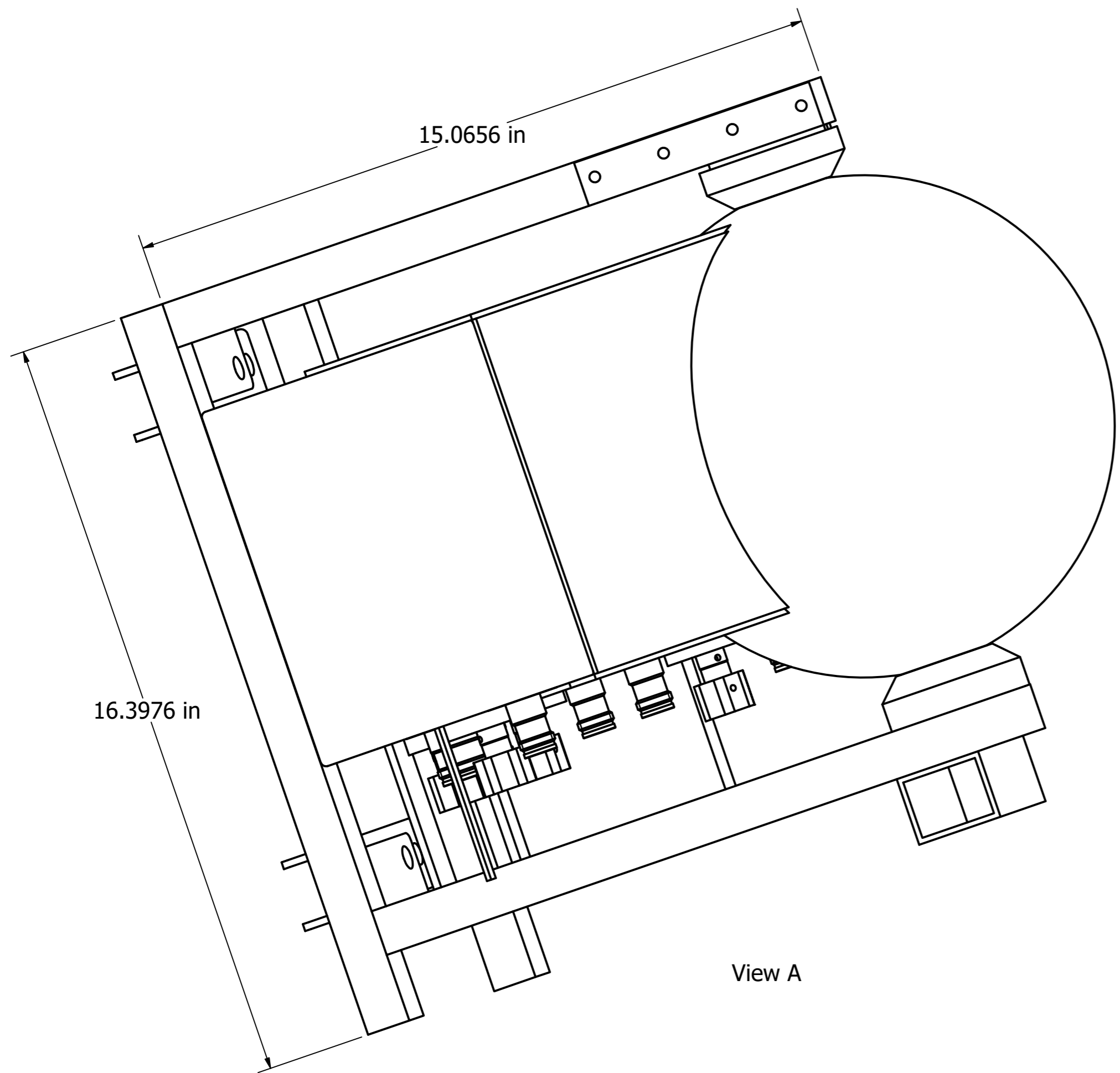
| | | | | | | |
|--|------------------------|-------------------|----------------------|--------------------|--------------|-----------------|
| Designed by VIGNESH | Drawing by LAWRENCE | Date 8/12/2022 | Approved by PAVEL | Date 14/12/2022 | Quantity | Material |
|  MATSING <small>LENS TECHNOLOGY ENABLED</small> | | | | | MS-4F30 | |
| | | | | | MS-4F30 (in) | Revision 1.0 |



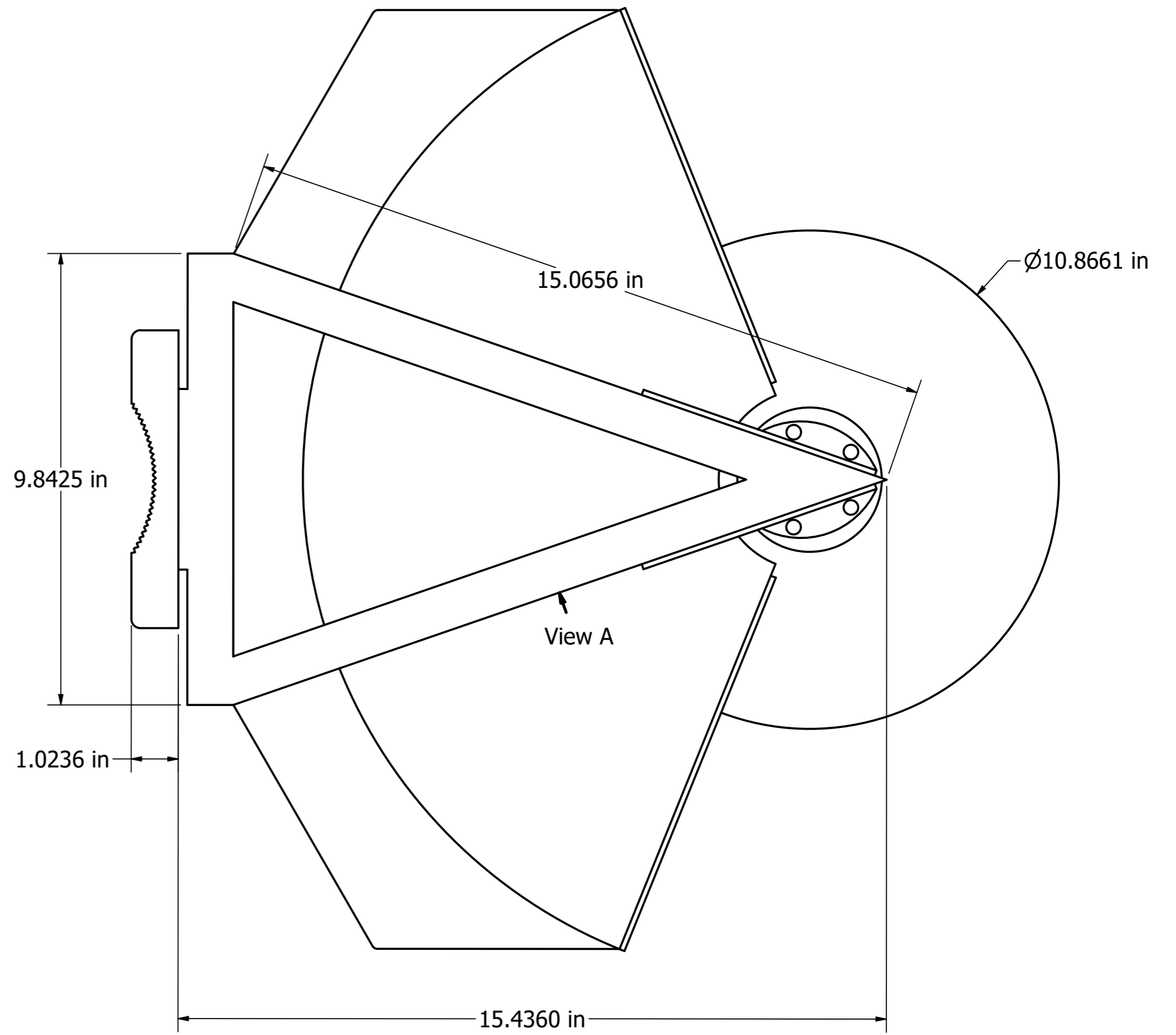
| | | | | | | |
|--|------------------------|-------------------|----------------------|--------------------|----------|--------------|
| Designed by VIGNESH | Drawing by LAWRENCE | Date 8/12/2022 | Approved by PAVEL | Date 14/12/2022 | Quantity | Material |
|  MATSING <small>LENS TECHNOLOGY ENABLED</small> | | | | | | MS-4F30 |
| | | | | | | MS-4F30 (in) |




| | | | | | | |
|---|------------------------|-------------------|----------------------|--------------------|--------------|-----------------|
| Designed by VIGNESH | Drawing by LAWRENCE | Date 8/12/2022 | Approved by PAVEL | Date 14/12/2022 | Quantity | Material |
|  | | | | | MS-4F30 | |
| | | | | | MS-4F30 (in) | Revision 1.0 |

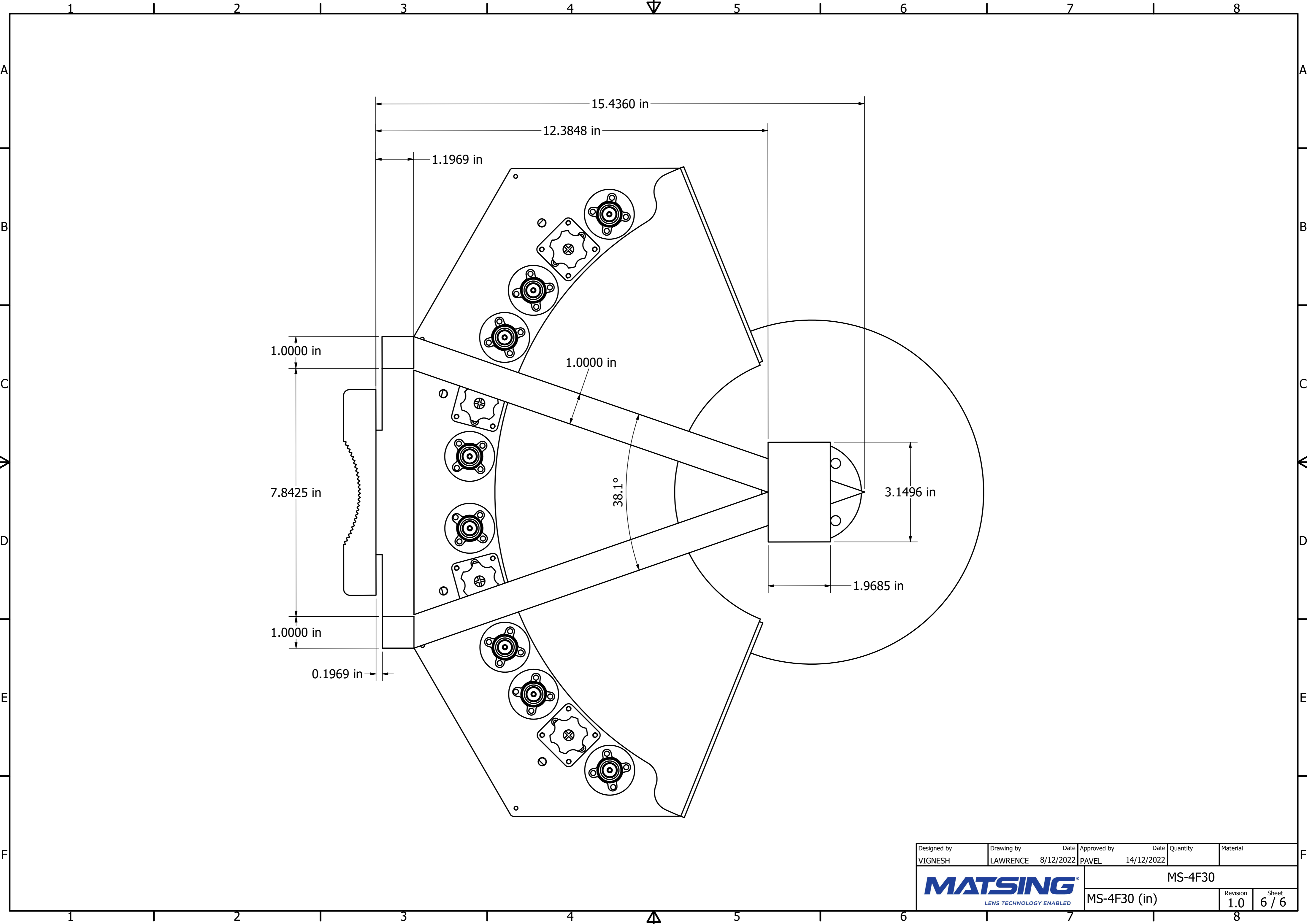


View A



View A

| | | | | | | |
|---|------------------------|-------------------|----------------------|--------------------|----------|--------------|
| Designed by VIGNESH | Drawing by LAWRENCE | Date 8/12/2022 | Approved by PAVEL | Date 14/12/2022 | Quantity | Material |
|  | | | | | | MS-4F30 |
| | | | | | | MS-4F30 (in) |



| | | | | | | |
|------------------------|------------------------|-------------------|----------------------|--------------------|--------------|-----------------|
| Designed by VIGNESH | Drawing by LAWRENCE | Date 8/12/2022 | Approved by PAVEL | Date 14/12/2022 | Quantity | Material |
| | | | | | MS-4F30 | |
| | | | | | MS-4F30 (in) | Revision 1.0 |