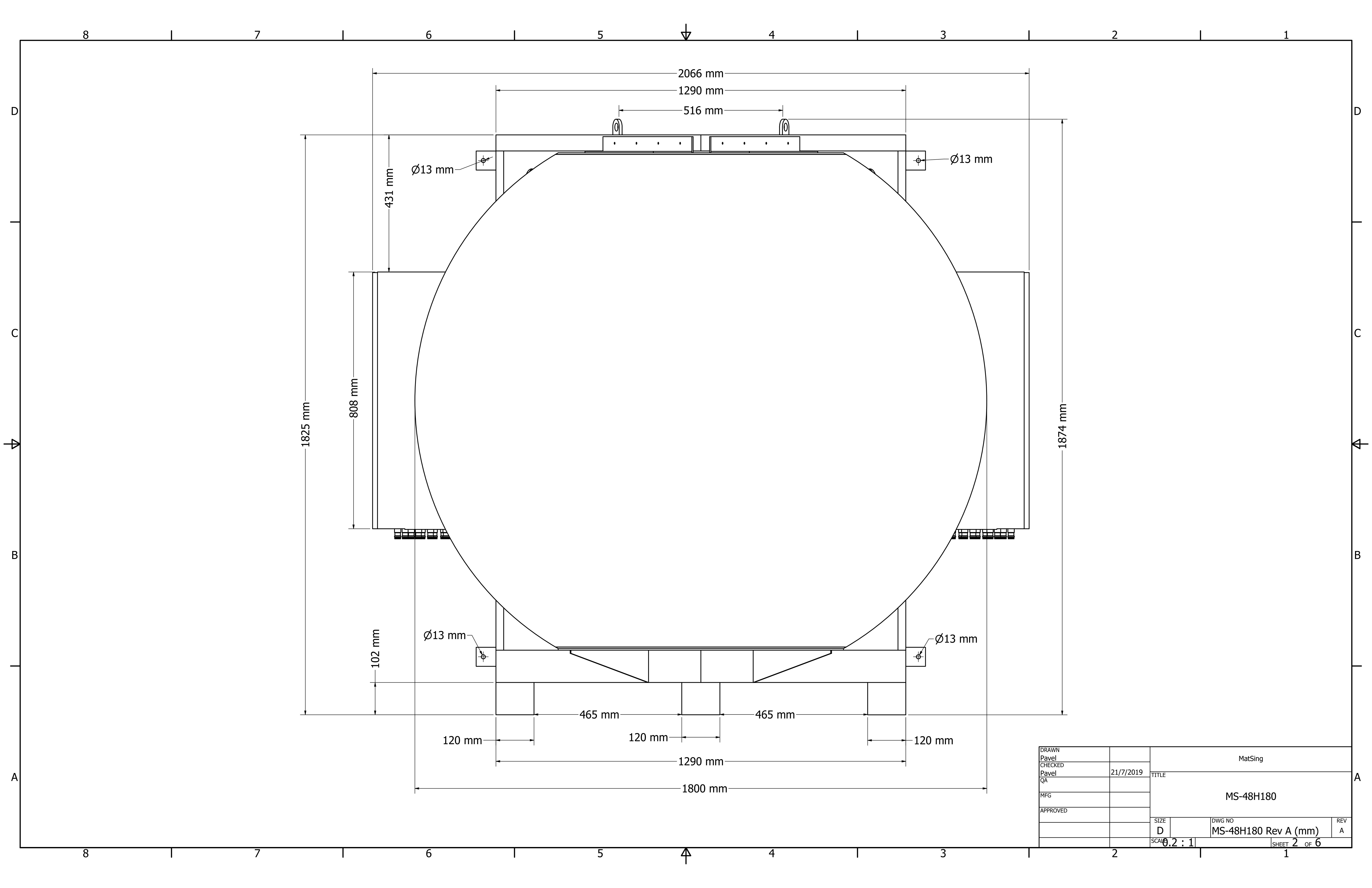
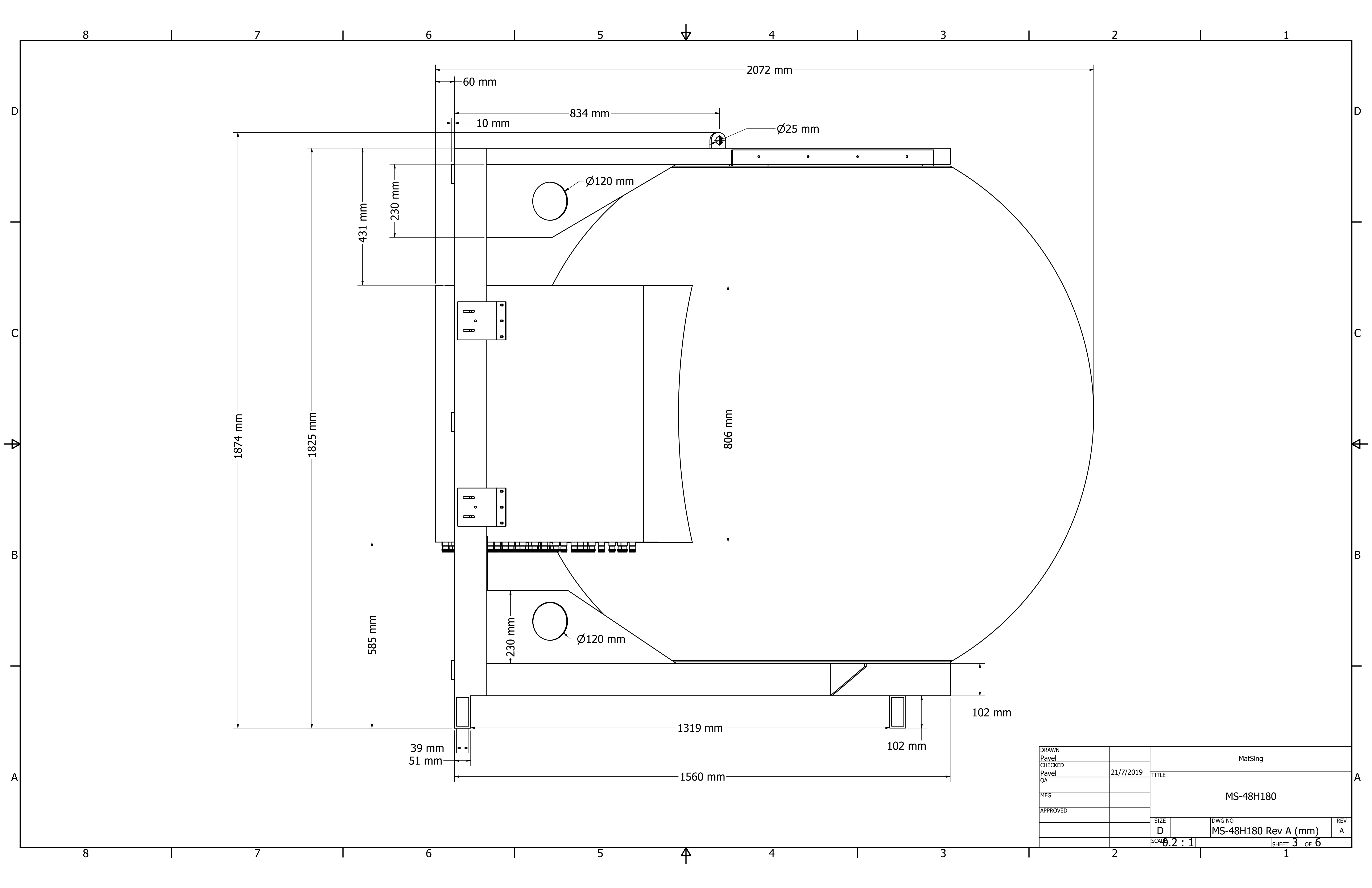


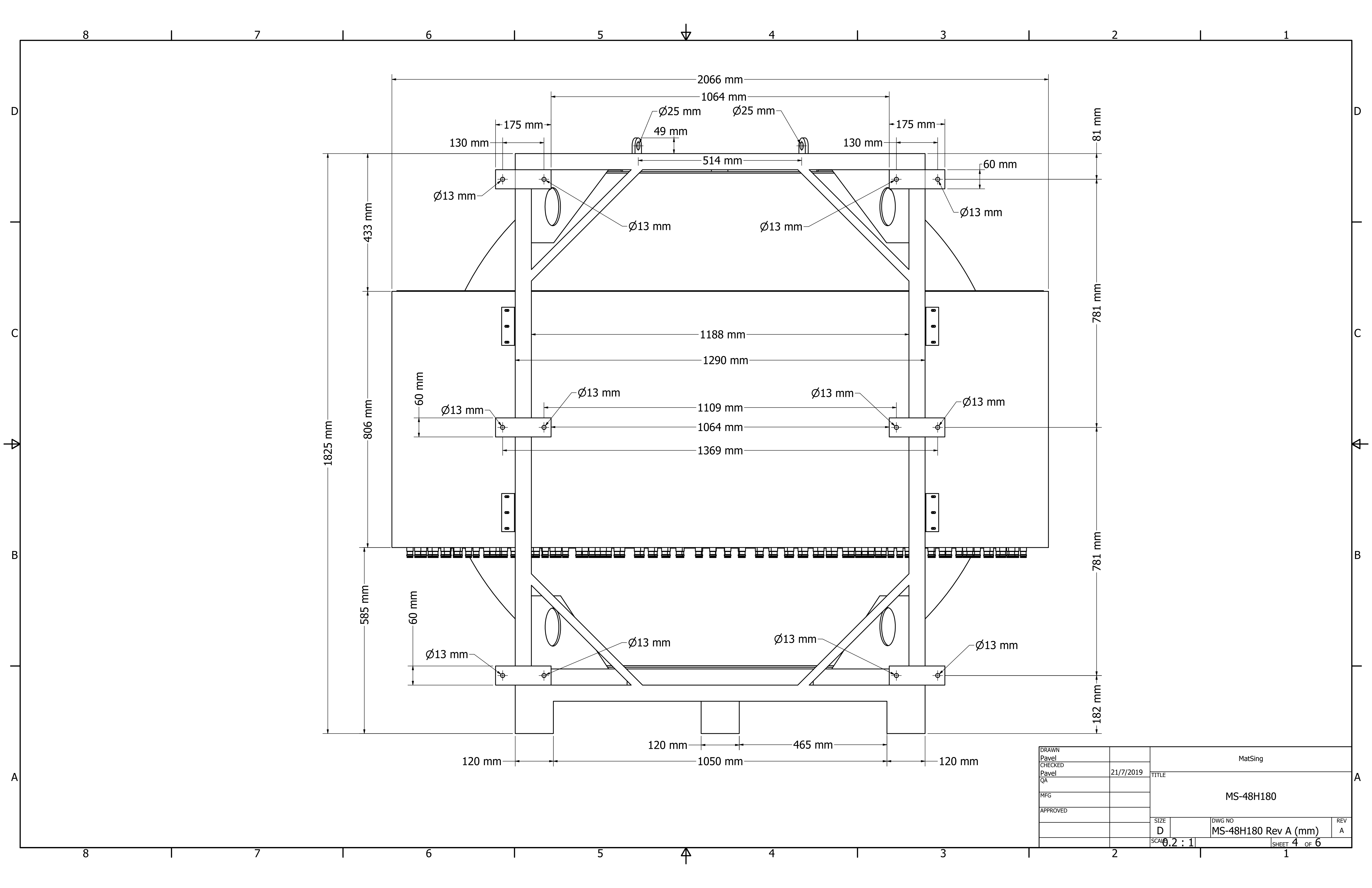
DRAWN Pavel		MatSing		
CHECKED Pavel	21/7/2019	TITLE		
QA		MS-48H180		
MFG				
APPROVED				
		SIZE D	DWG NO MS-48H180 Rev A (mm)	REV A
		SCALE 0.1 : 1		SHEET 1 OF 6



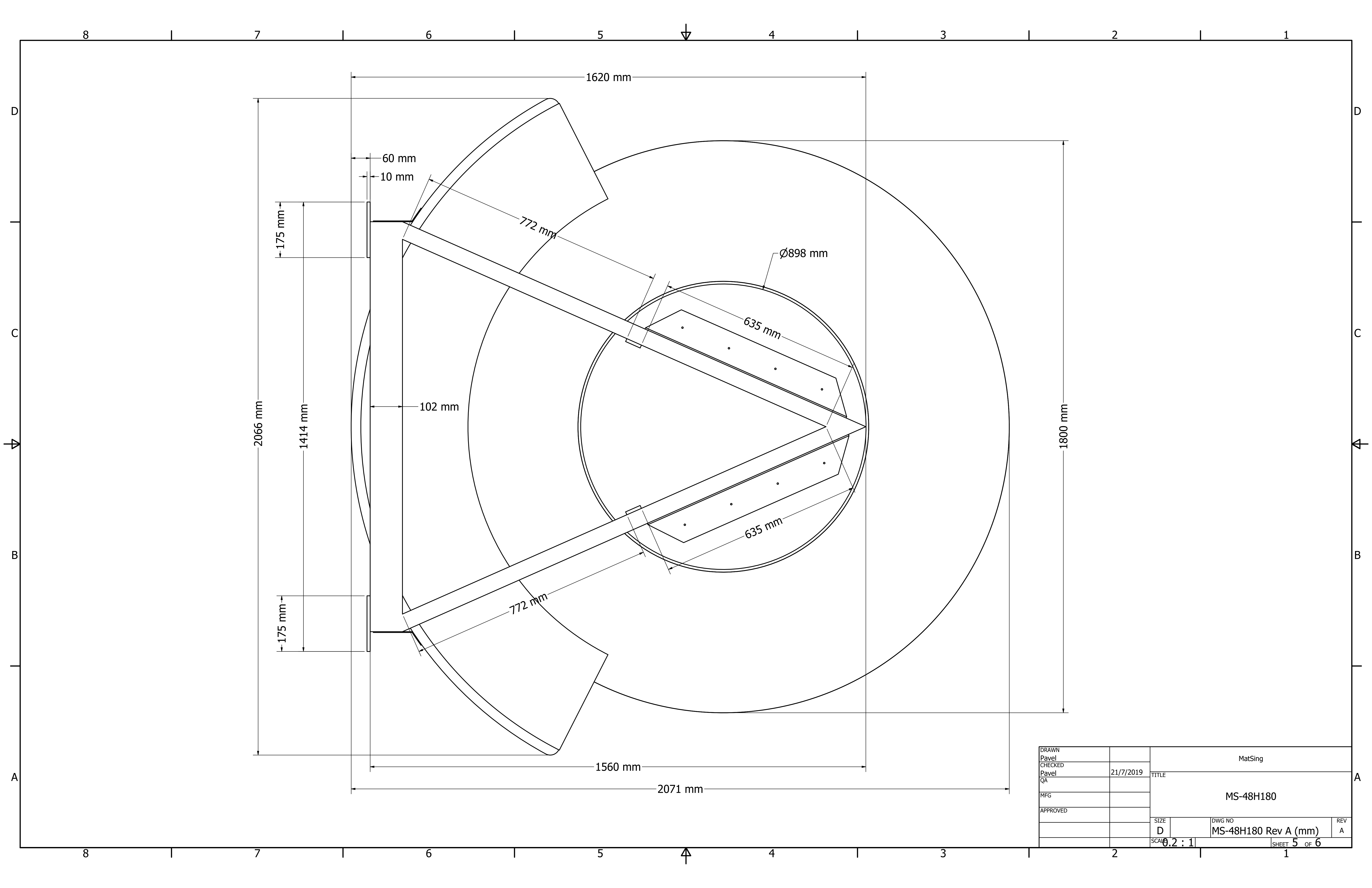
DRAWN Pavel		MatSing		
CHECKED Pavel	21/7/2019	TITLE		
QA		MS-48H180		
MFG		SIZE D	DWG NO MS-48H180 Rev A (mm)	REV A
APPROVED		SCALE 0.2 : 1 SHEET 2 OF 6		



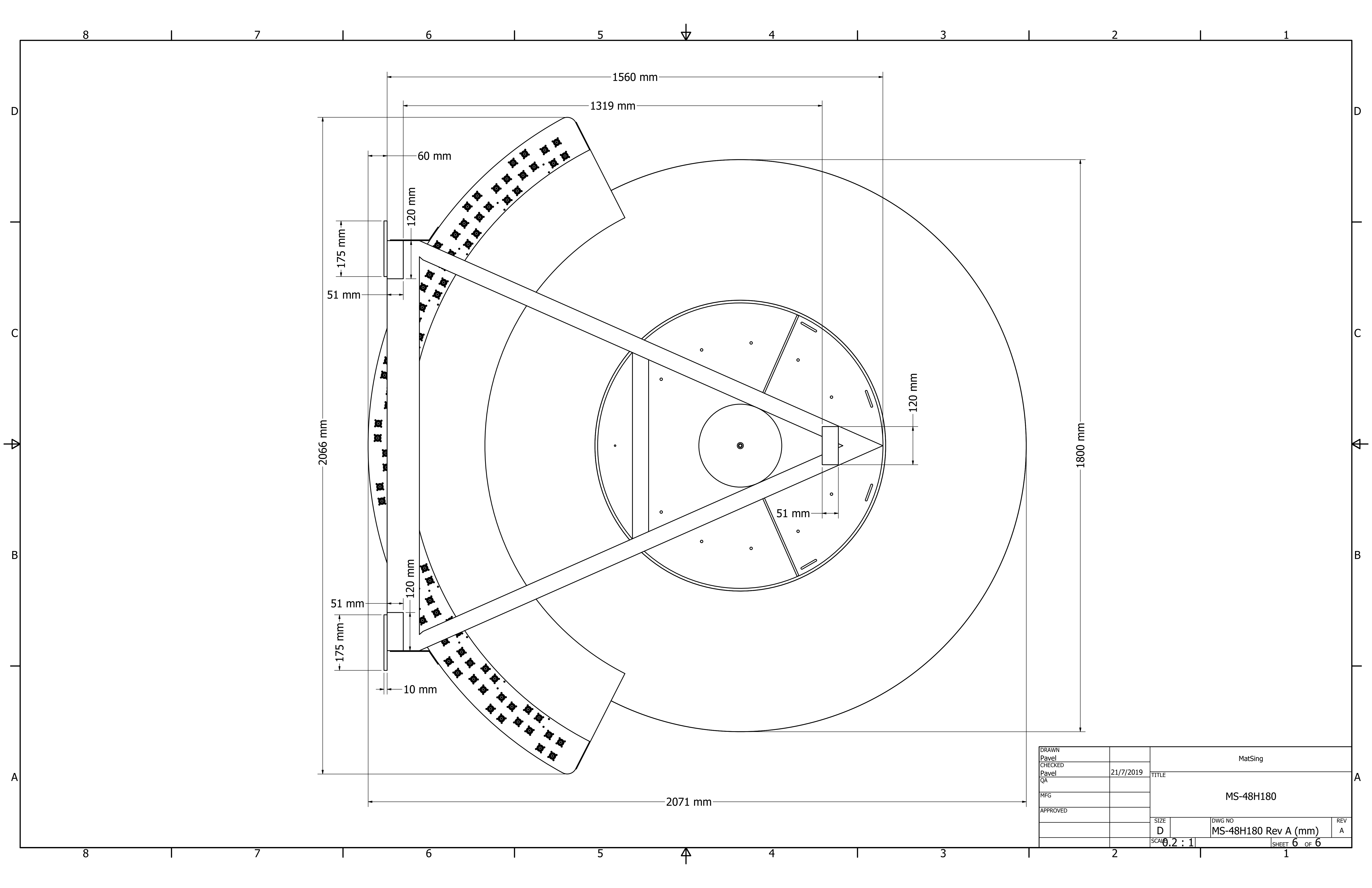
DRAWN		MatSing		
CHECKED		TITLE		
Pavel	21/7/2019	MS-48H180		
QA				
MFG				
APPROVED				
		SIZE	DWG NO	REV
		D	MS-48H180 Rev A (mm)	A
		SCALE	SHEET 3 OF 6	
		0.2 : 1		



DRAWN Pavel		MatSing		
CHECKED Pavel	21/7/2019	TITLE		
QA		MS-48H180		
MFG				
APPROVED				
		SIZE D	DWG NO MS-48H180 Rev A (mm)	REV A
		SCALE 0.2 : 1		SHEET 4 OF 6



DRAWN		MatSing		
CHECKED		TITLE		
Pavel	21/7/2019	MS-48H180		
QA		REV A		
MFG		DWG NO MS-48H180 Rev A (mm)		
APPROVED		SIZE D		REV A
		SCALE 0.2 : 1	SHEET 5 OF 6	



DRAWN		MatSing		
CHECKED		TITLE		
Pavel	21/7/2019	MS-48H180		
QA		DWG NO		
MFG		MS-48H180 Rev A (mm)		
APPROVED		SIZE	REV	A
		D		
		SCALE 0.2 : 1		SHEET 6 OF 6