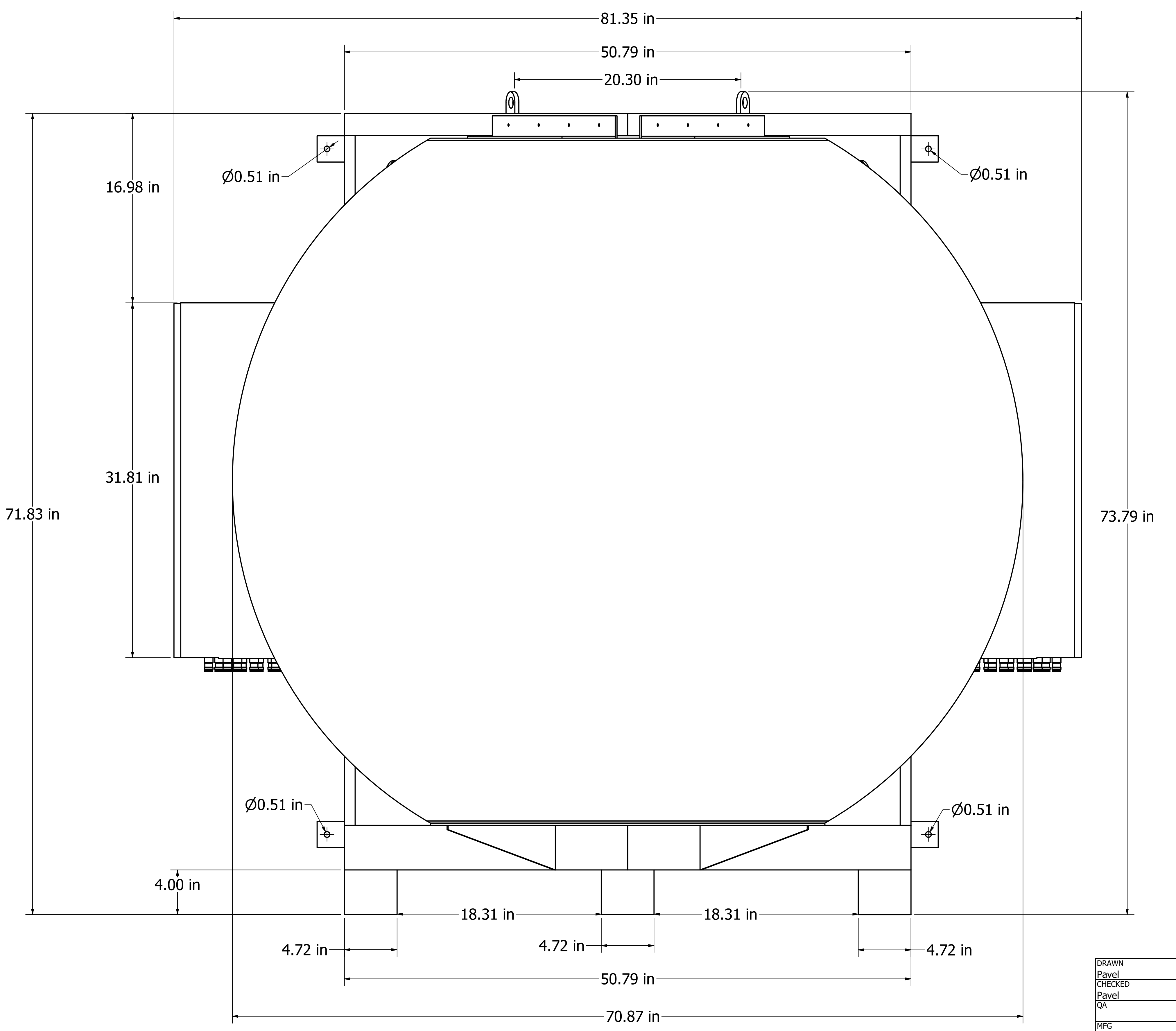
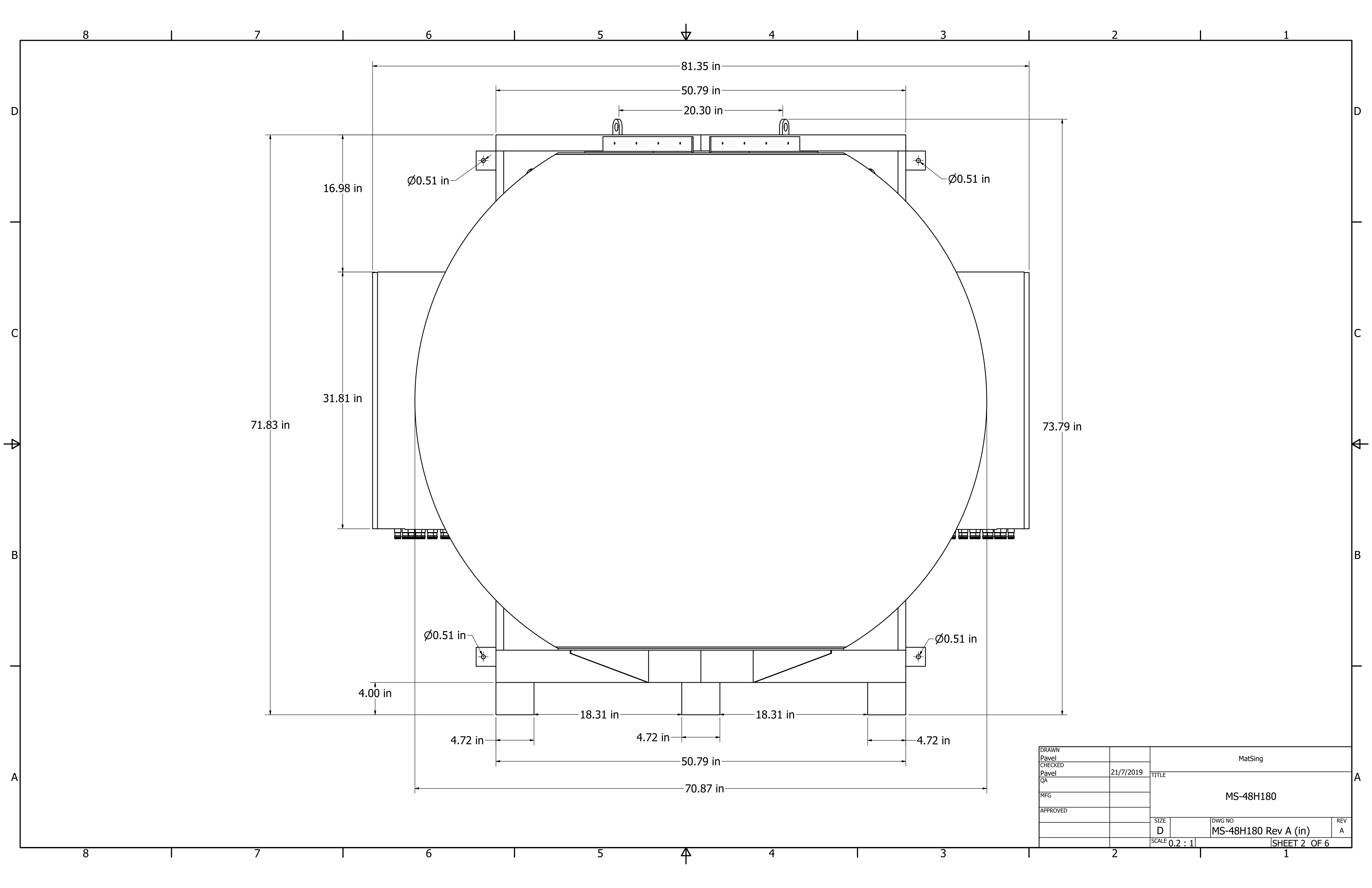
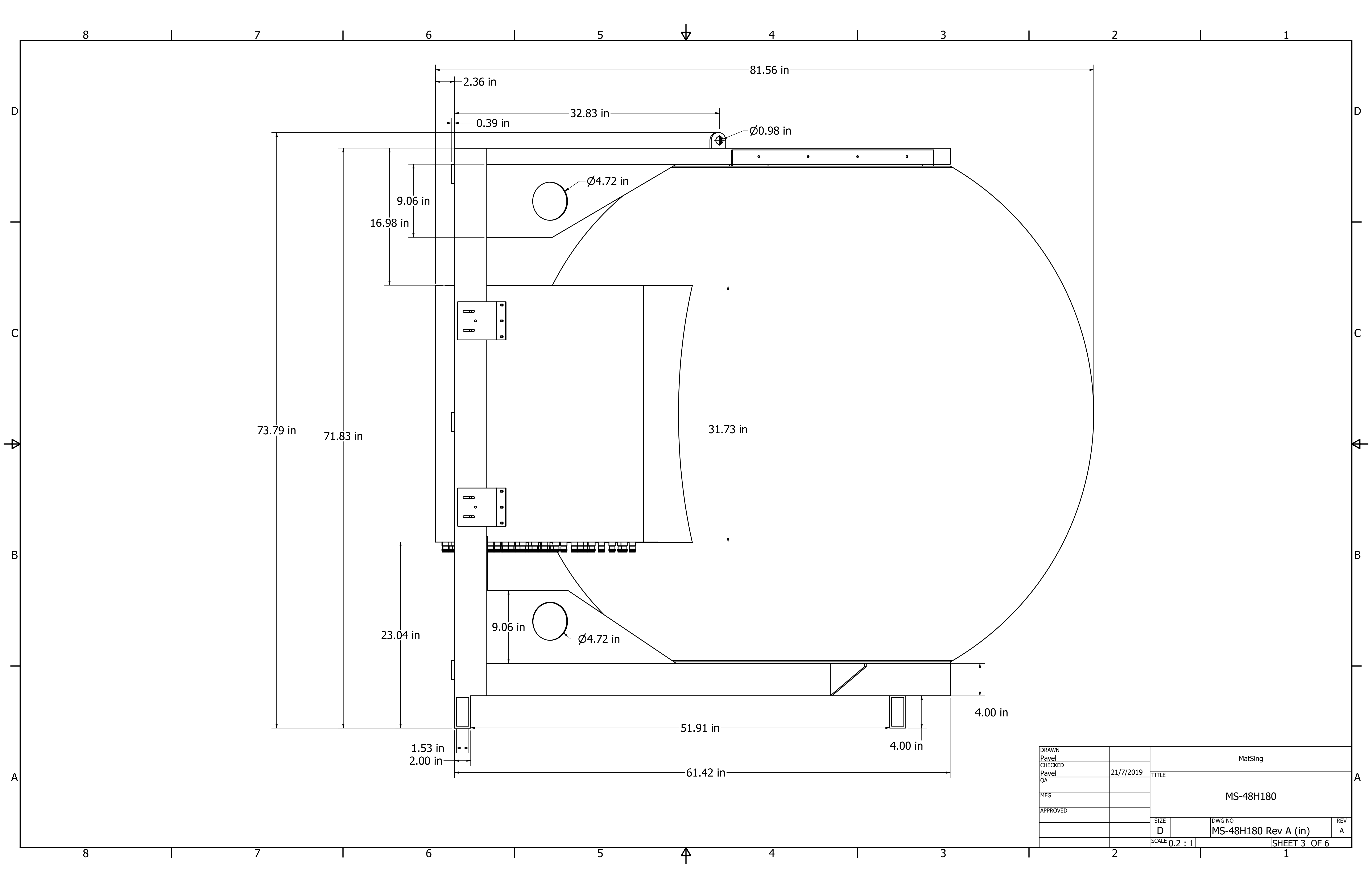


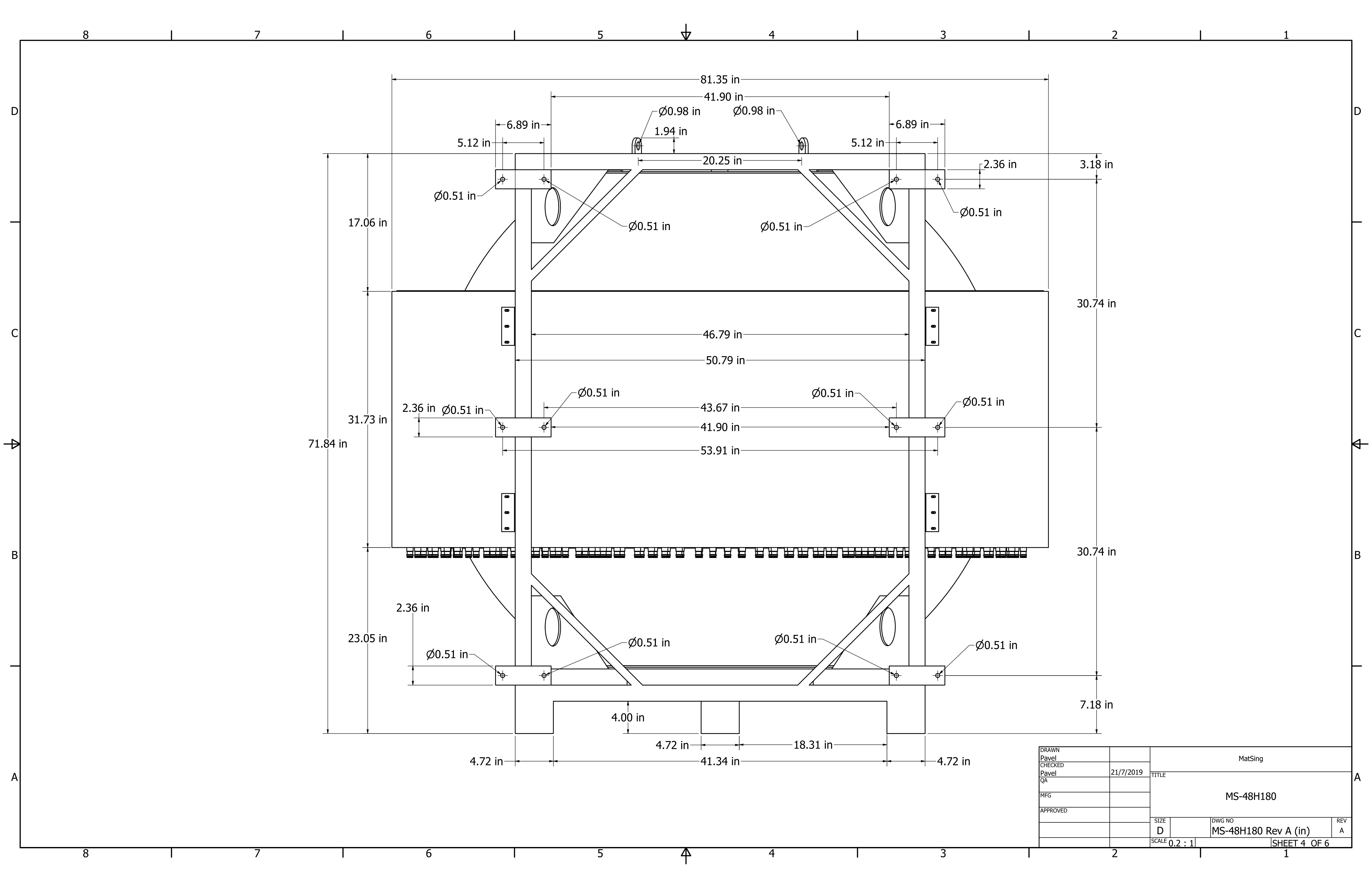
DRAWN Pavel		MatSing		
CHECKED Pavel	21/7/2019	TITLE		
QA		MS-48H180		
MFG		SIZE	DWG NO	REV
APPROVED		D	MS-48H180 Rev A (in)	A
		SCALE	SHEET 1 OF 6	
		0.1 : 1		



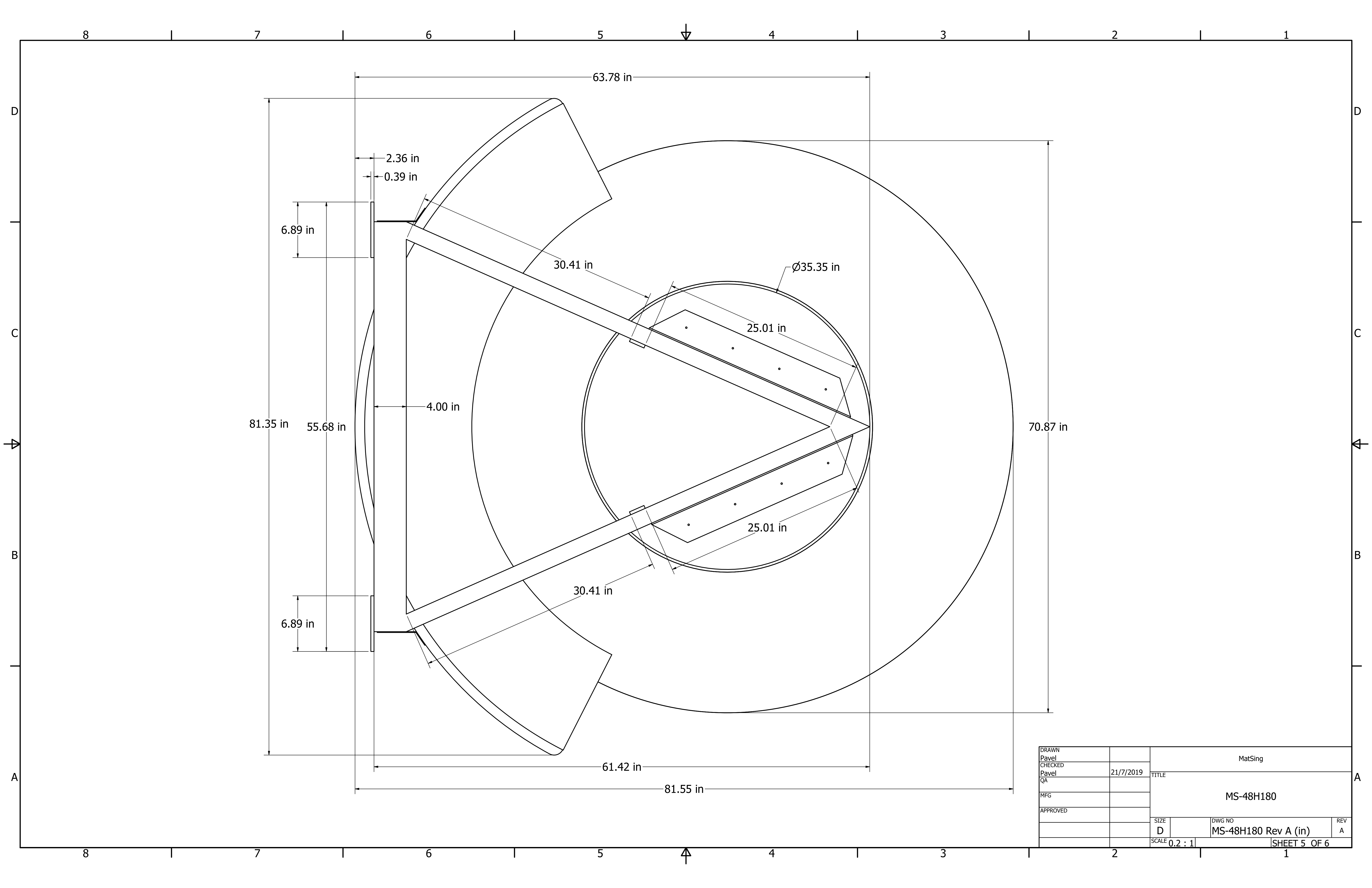
DRAWN		MatSing		
CHECKED		TITLE		
Pavel	21/7/2019	MS-48H180		
QA				
MFG				
APPROVED				
		SIZE	DWG NO	REV
		D	MS-48H180 Rev A (in)	A
		SCALE 0.2 : 1		SHEET 2 OF 6



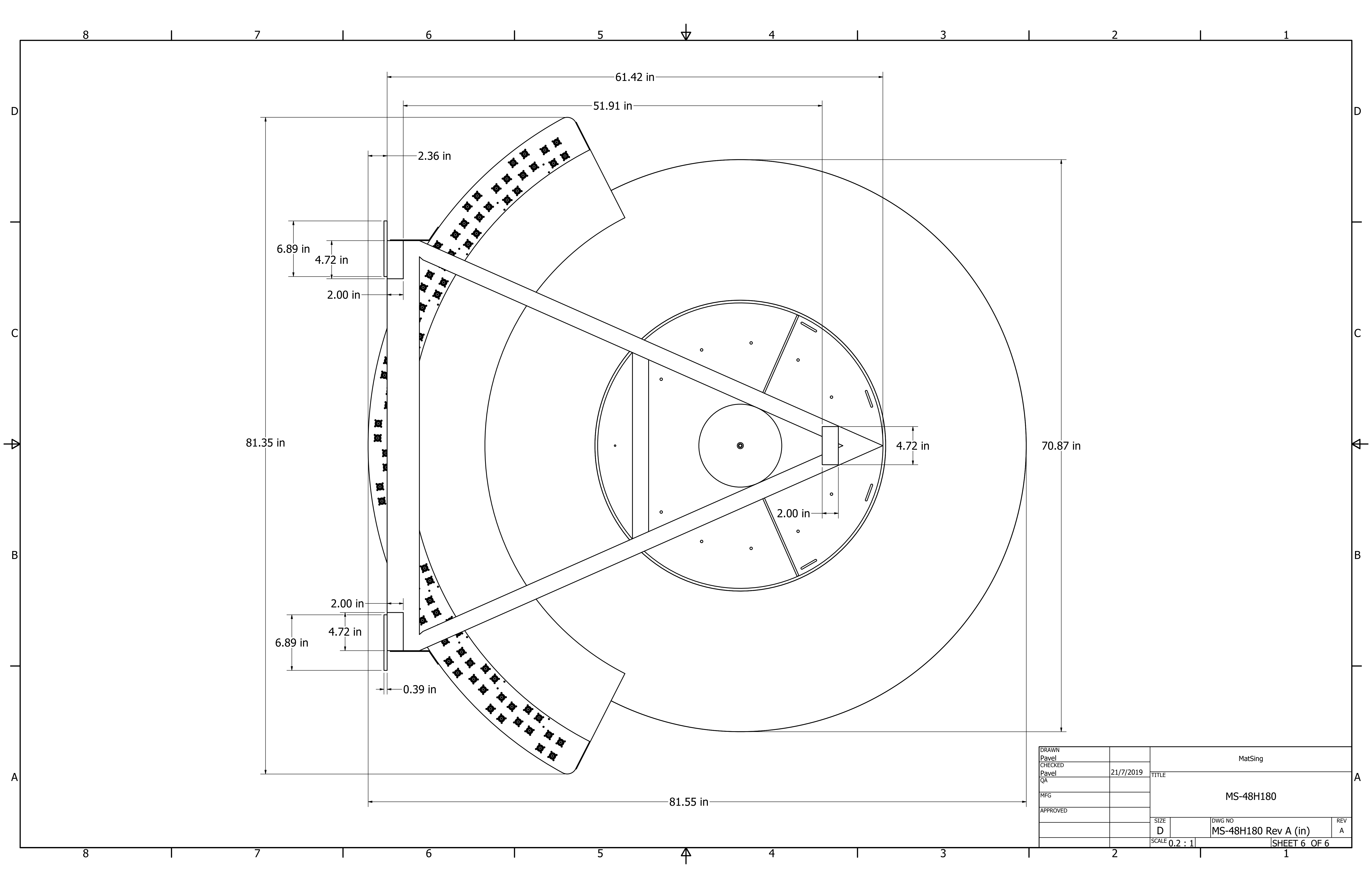
DRAWN		MatSing		
CHECKED		TITLE		
Pavel	21/7/2019	MS-48H180		
QA				
MFG				
APPROVED				
		SIZE	DWG NO	REV
		D	MS-48H180 Rev A (in)	A
		SCALE 0.2 : 1		SHEET 3 OF 6



DRAWN		MatSing		
CHECKED		TITLE		
QA	21/7/2019	MS-48H180		
MFG		REV A		
APPROVED		SIZE	DWG NO	REV
		D	MS-48H180 Rev A (in)	A
		SCALE 0.2 : 1		SHEET 4 OF 6



DRAWN		MatSing		
CHECKED		TITLE		
QA	21/7/2019	MS-48H180		
MFG		DWG NO		
APPROVED		MS-48H180 Rev A (in)	REV	A
SCALE 0.2 : 1		SHEET 5 OF 6		



DRAWN Pavel		MatSing		
CHECKED Pavel	21/7/2019	TITLE		
QA		MS-48H180		
MFG		SIZE D	DWG NO MS-48H180 Rev A (in)	REV A
APPROVED		SCALE 0.2 : 1		SHEET 6 OF 6