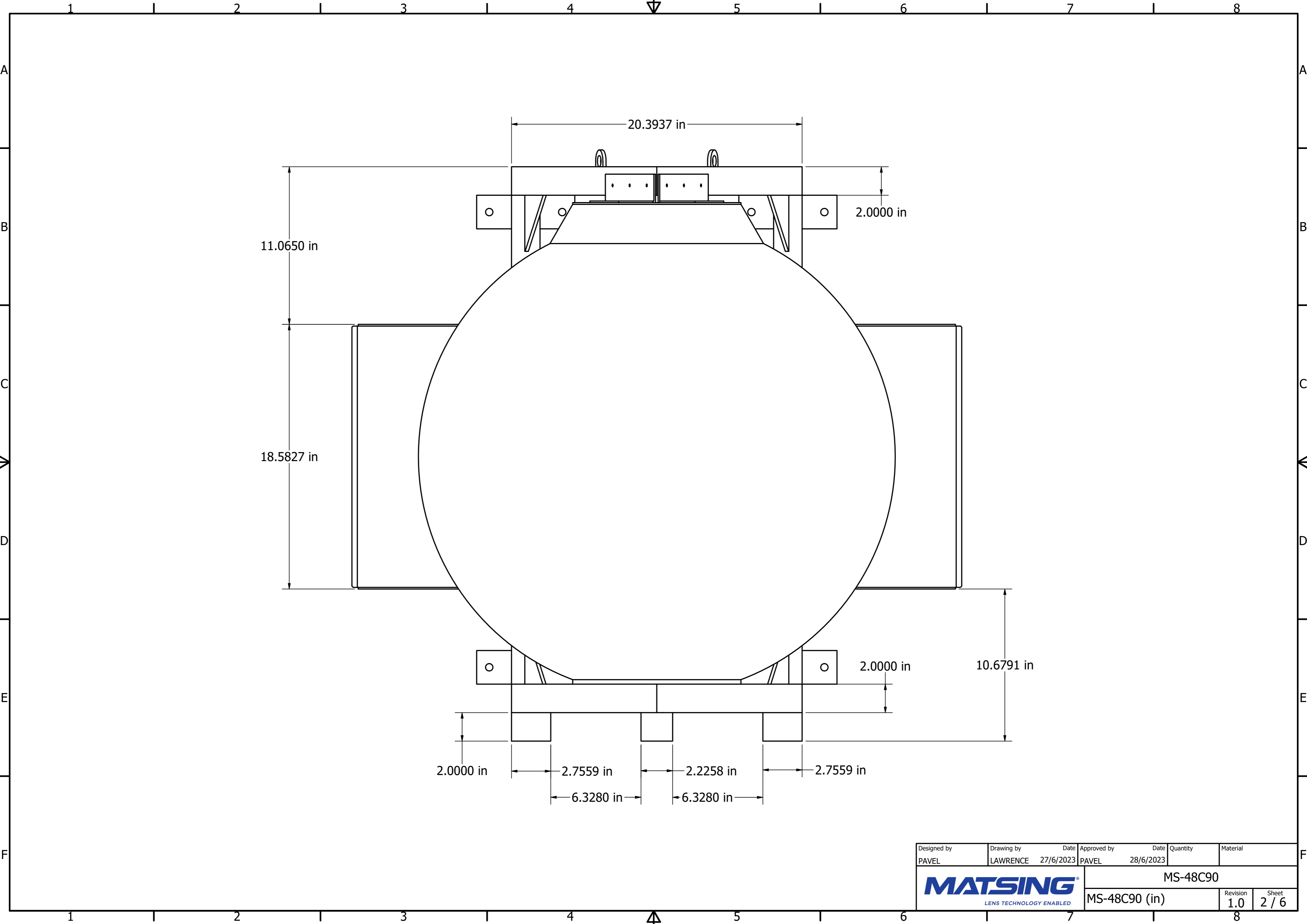

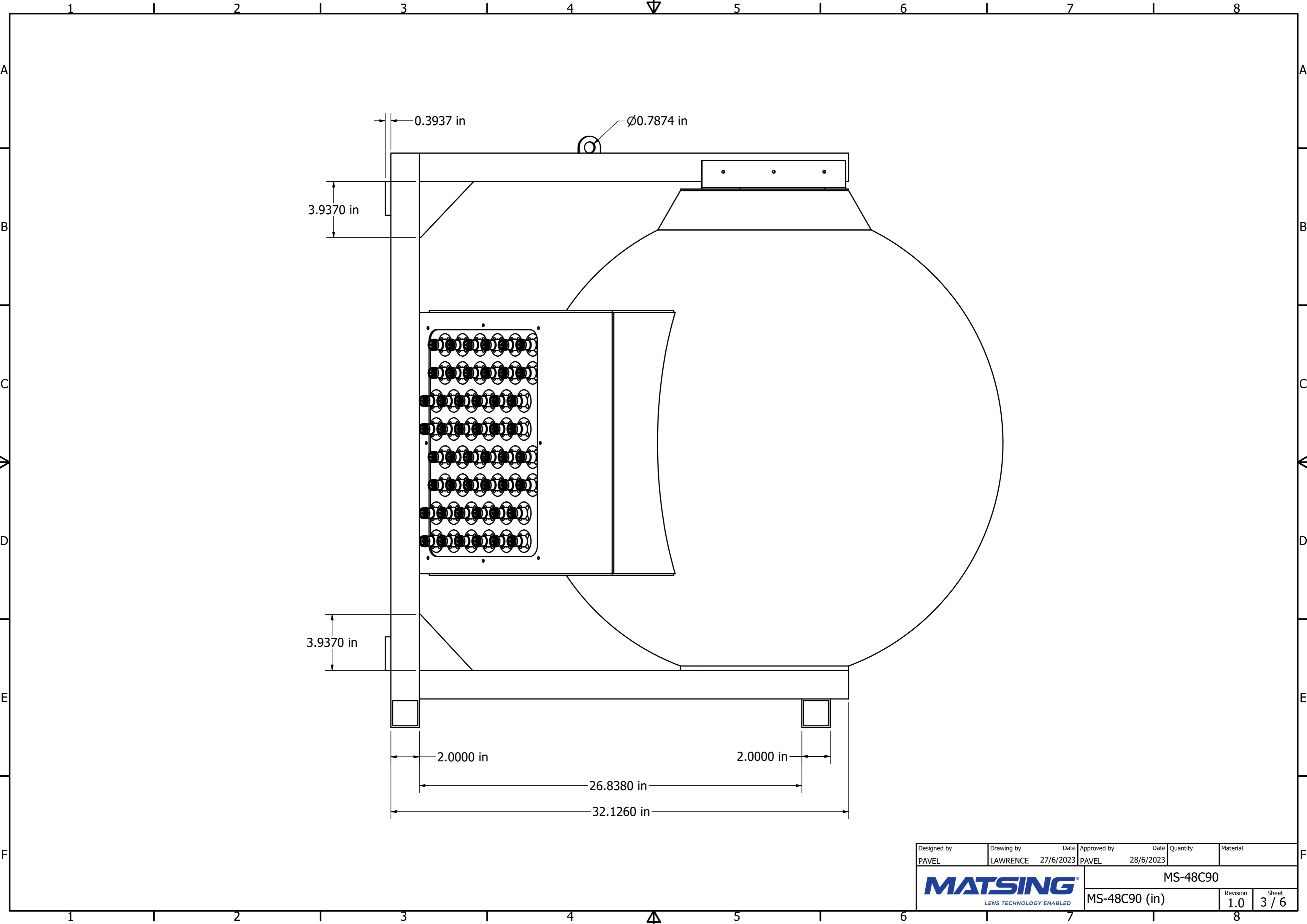


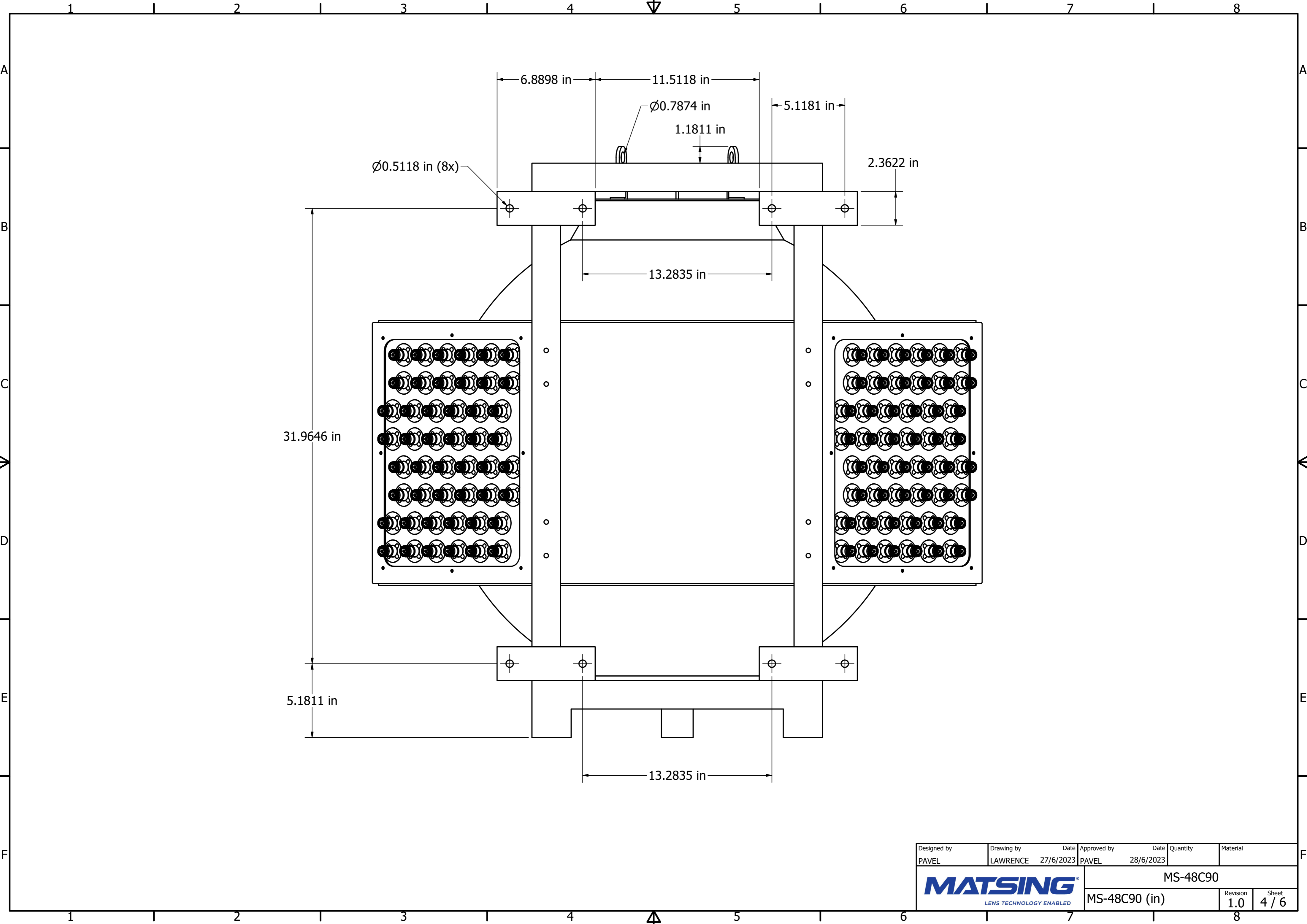
Designed by PAVEL	Drawing by LAWRENCE	Date 27/6/2023	Approved by PAVEL	Date 28/6/2023	Quantity	Material	
MATSING LENS TECHNOLOGY ENABLED						MS-48C90	
MS-48C90 (in)						Revision 1.0	Sheet 1 / 6



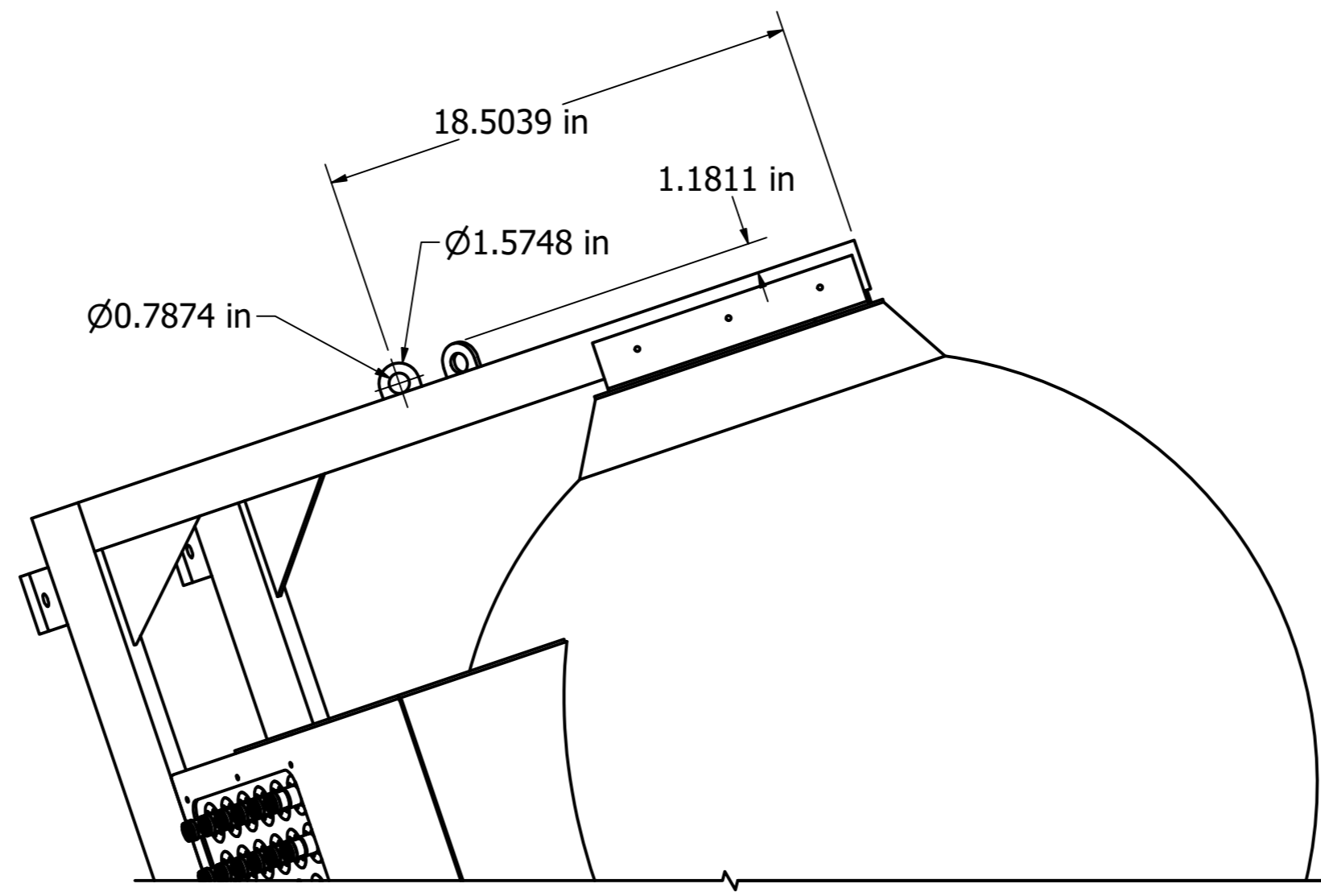
Designed by	Drawing by	Date	Approved by	Date	Quantity	Material
PAVEL	LAWRENCE	27/6/2023	PAVEL	28/6/2023		
						MS-48C90
						MS-48C90 (in)



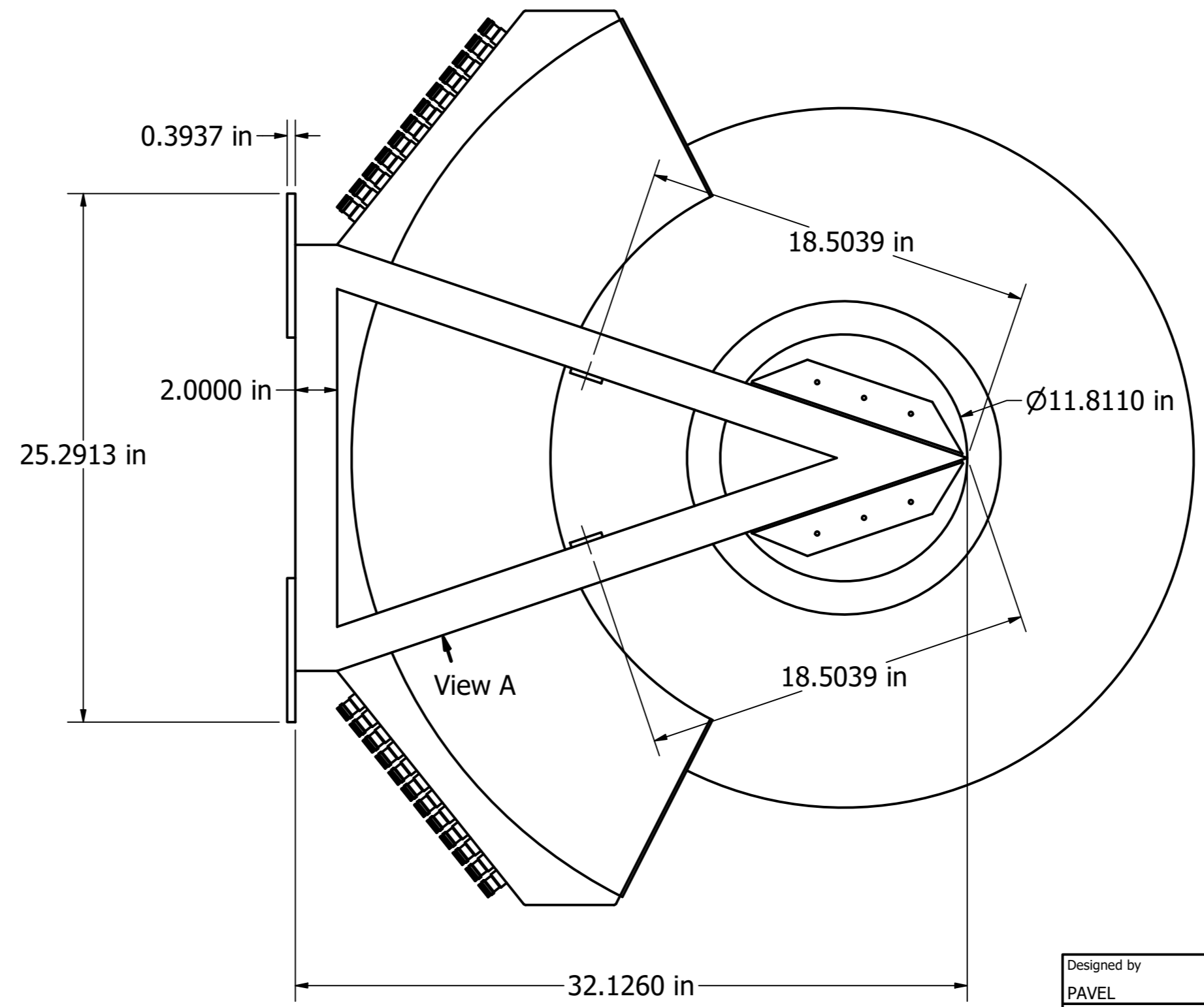
Designed by PAVEL	Drawing by LAWRENCE	Date 27/6/2023	Approved by PAVEL	Date 28/6/2023	Quantity	Material
MATSING LENS TECHNOLOGY ENABLED						MS-48C90
MS-48C90 (in)					Revision 1.0	Sheet 3 / 6



Designed by PAVEL	Drawing by LAWRENCE	Date 27/6/2023	Approved by PAVEL	Date 28/6/2023	Quantity	Material
MATSING LENS TECHNOLOGY ENABLED						MS-48C90
MS-48C90 (in)					Revision 1.0	Sheet 4 / 6

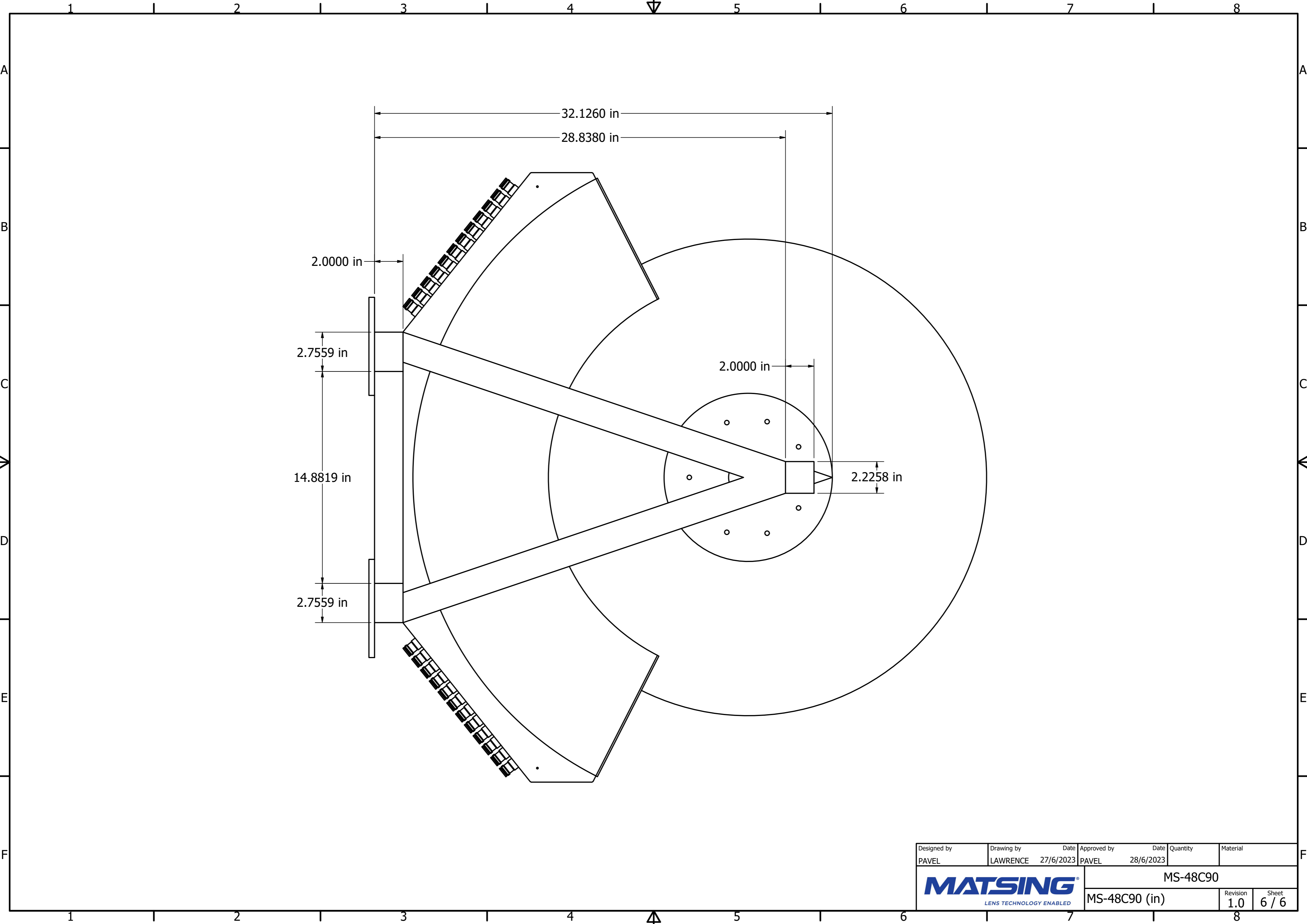


View A



View A

Designed by	Drawing by	Date	Approved by	Date	Quantity	Material
PAVEL	LAWRENCE	27/6/2023	PAVEL	28/6/2023		
MATSING LENS TECHNOLOGY ENABLED						MS-48C90
						MS-48C90 (in)
					Revision	Sheet
					1.0	5 / 6



Designed by	Drawing by	Date	Approved by	Date	Quantity	Material
PAVEL	LAWRENCE	27/6/2023	PAVEL	28/6/2023		
MATSING LENS TECHNOLOGY ENABLED						MS-48C90
						MS-48C90 (in)
						Revision 1.0
						Sheet 6 / 6