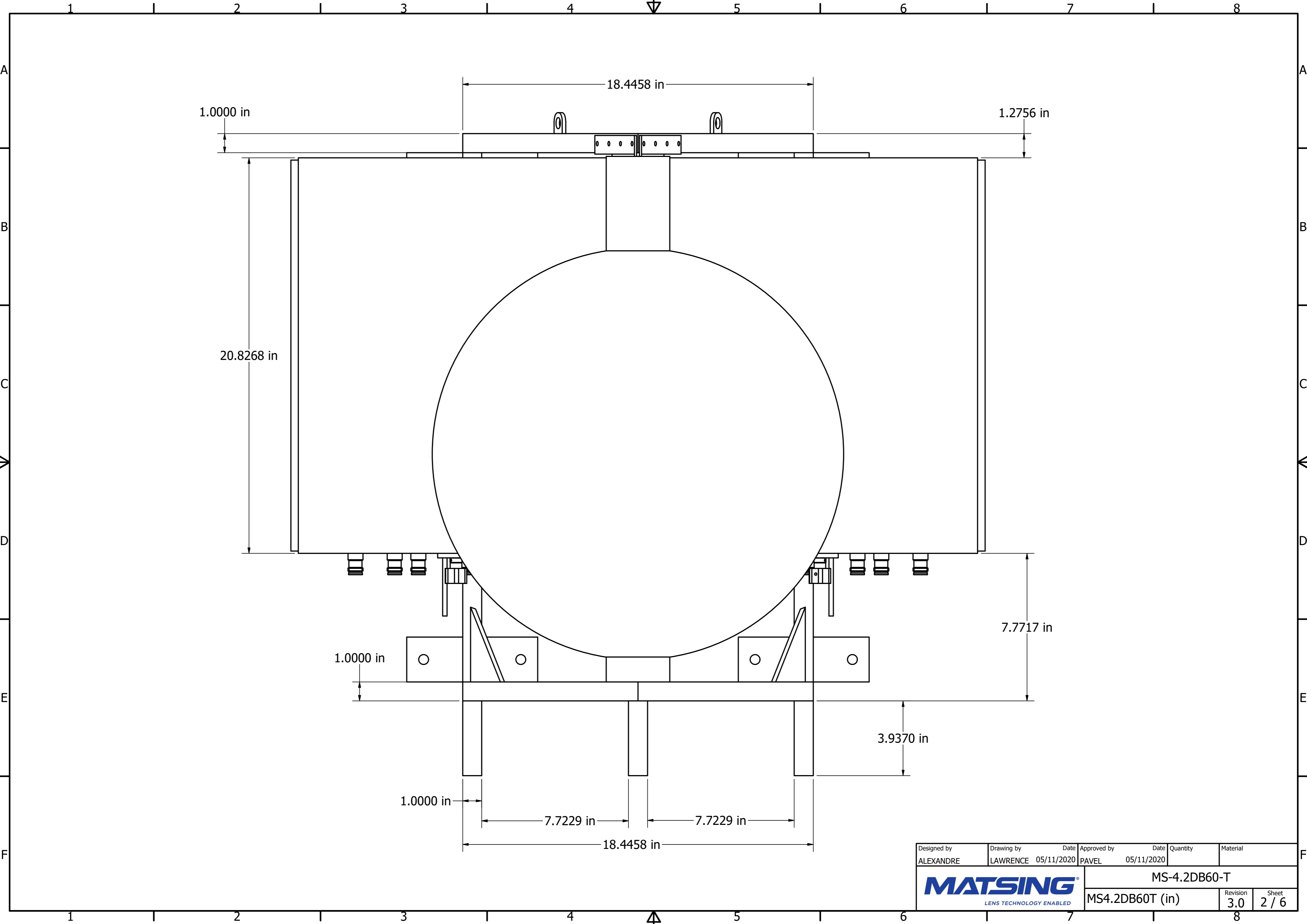

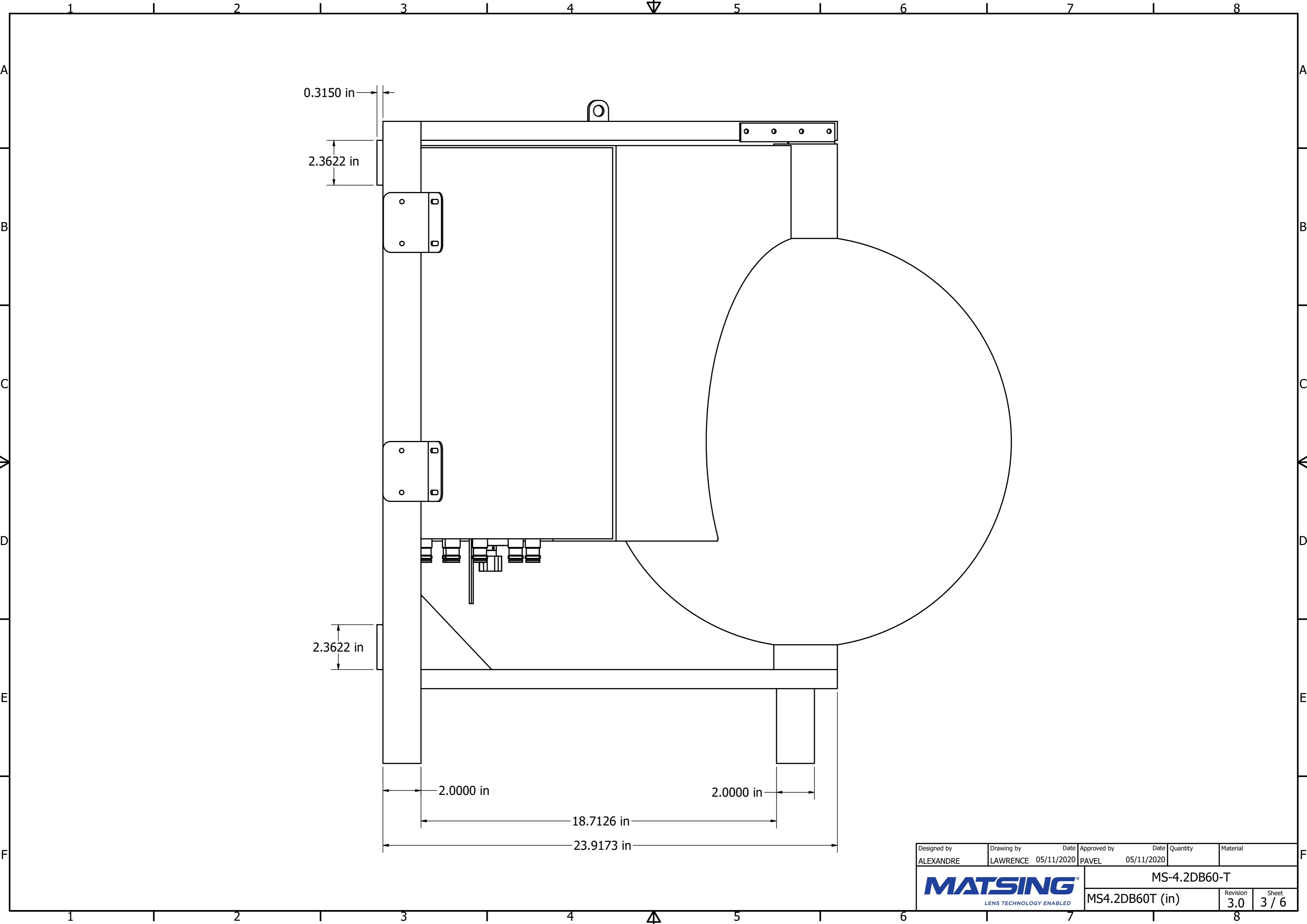



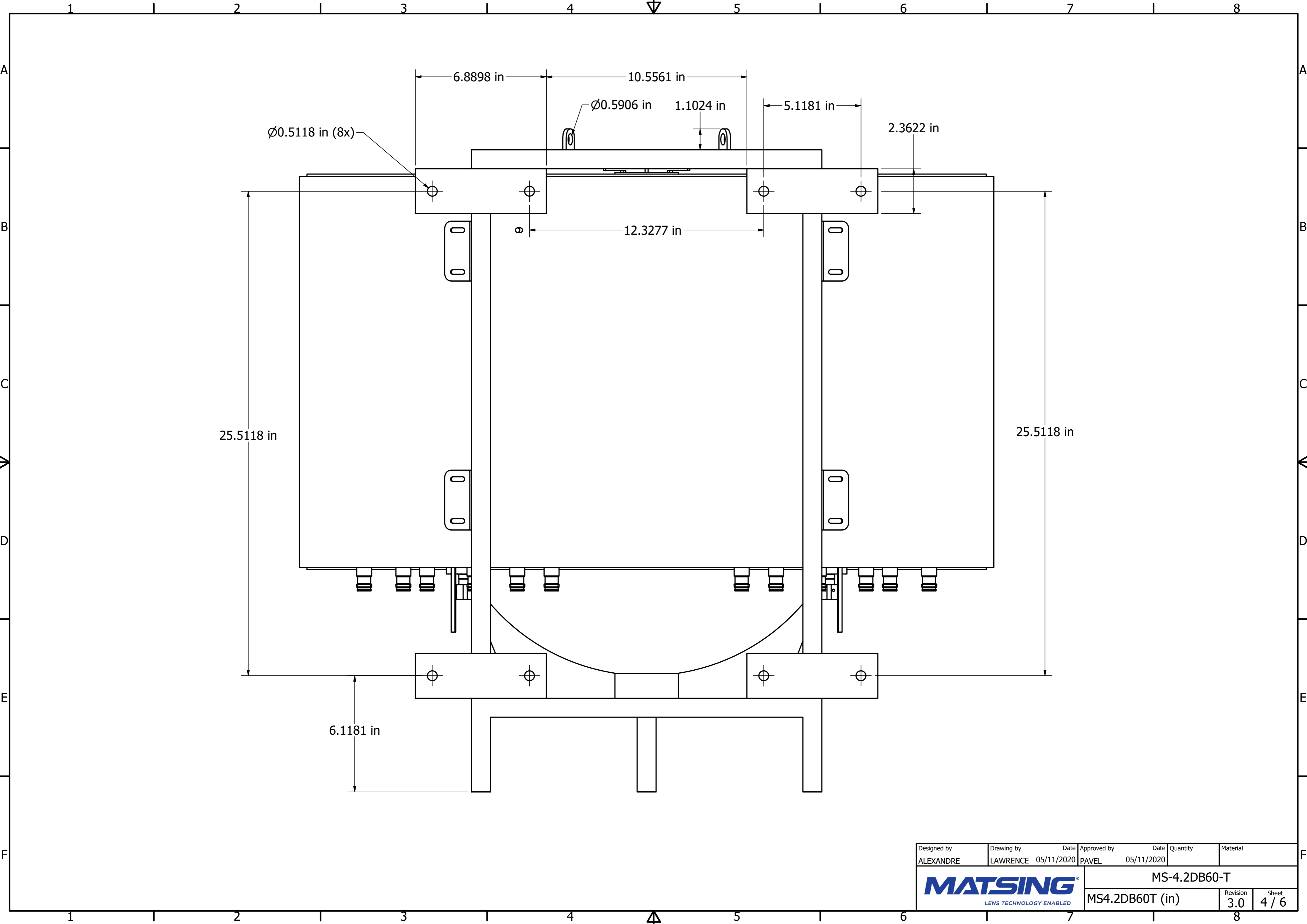
Designed by ALEXANDRE	Drawing by LAWRENCE	Date 05/11/2020	Approved by PAVEL	Date 05/11/2020	Quantity	Material
MATSING LENS TECHNOLOGY ENABLED						MS-4.2DB60-T
MS4.2DB60T (in)					Revision 3.0	Sheet 1 / 6




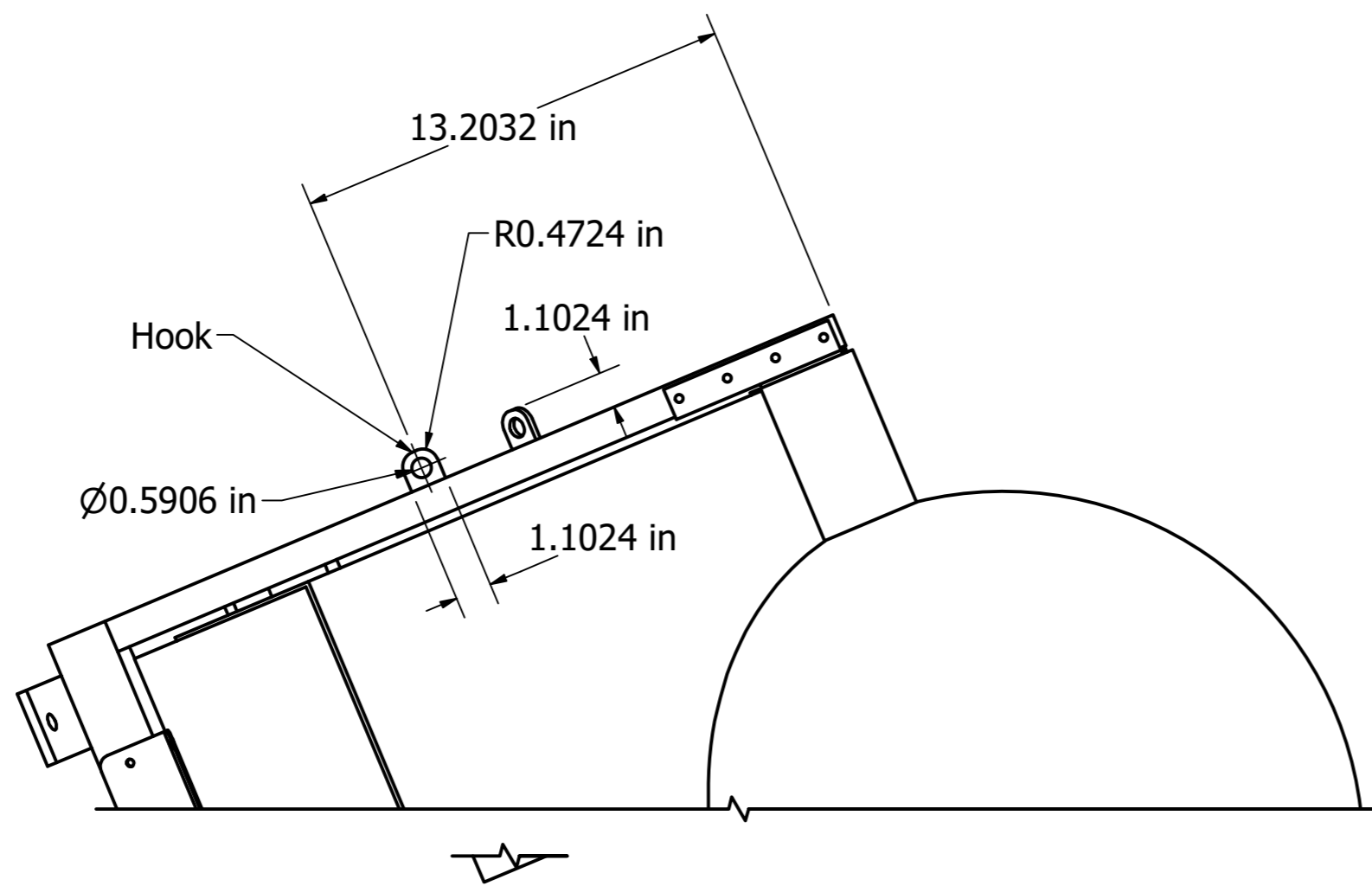
Designed by ALEXANDRE	Drawing by LAWRENCE	Date 05/11/2020	Approved by PAVEL	Date 05/11/2020	Quantity	Material
 MATSING <small>LENS TECHNOLOGY ENABLED</small>						MS-4.2DB60-T
						MS4.2DB60T (in)



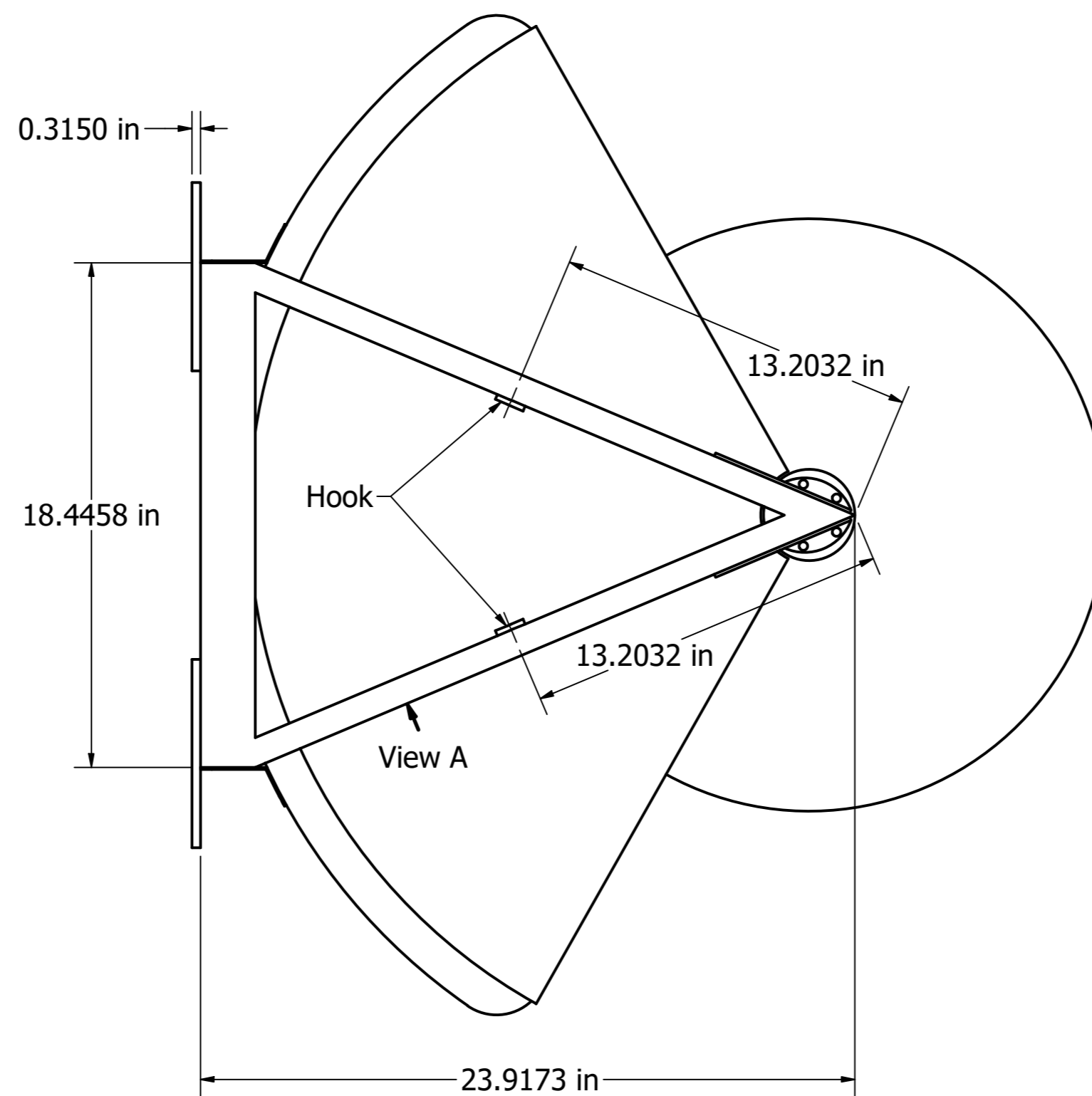
Designed by ALEXANDRE	Drawing by LAWRENCE	Date 05/11/2020	Approved by PAVEL	Date 05/11/2020	Quantity	Material
 MATSING <small>LENS TECHNOLOGY ENABLED</small>						MS-4.2DB60-T
						MS4.2DB60T (in)



Designed by ALEXANDRE	Drawing by LAWRENCE	Date 05/11/2020	Approved by PAVEL	Date 05/11/2020	Quantity	Material
 MATSING <small>LENS TECHNOLOGY ENABLED</small>						MS-4.2DB60-T
						MS4.2DB60T (in)

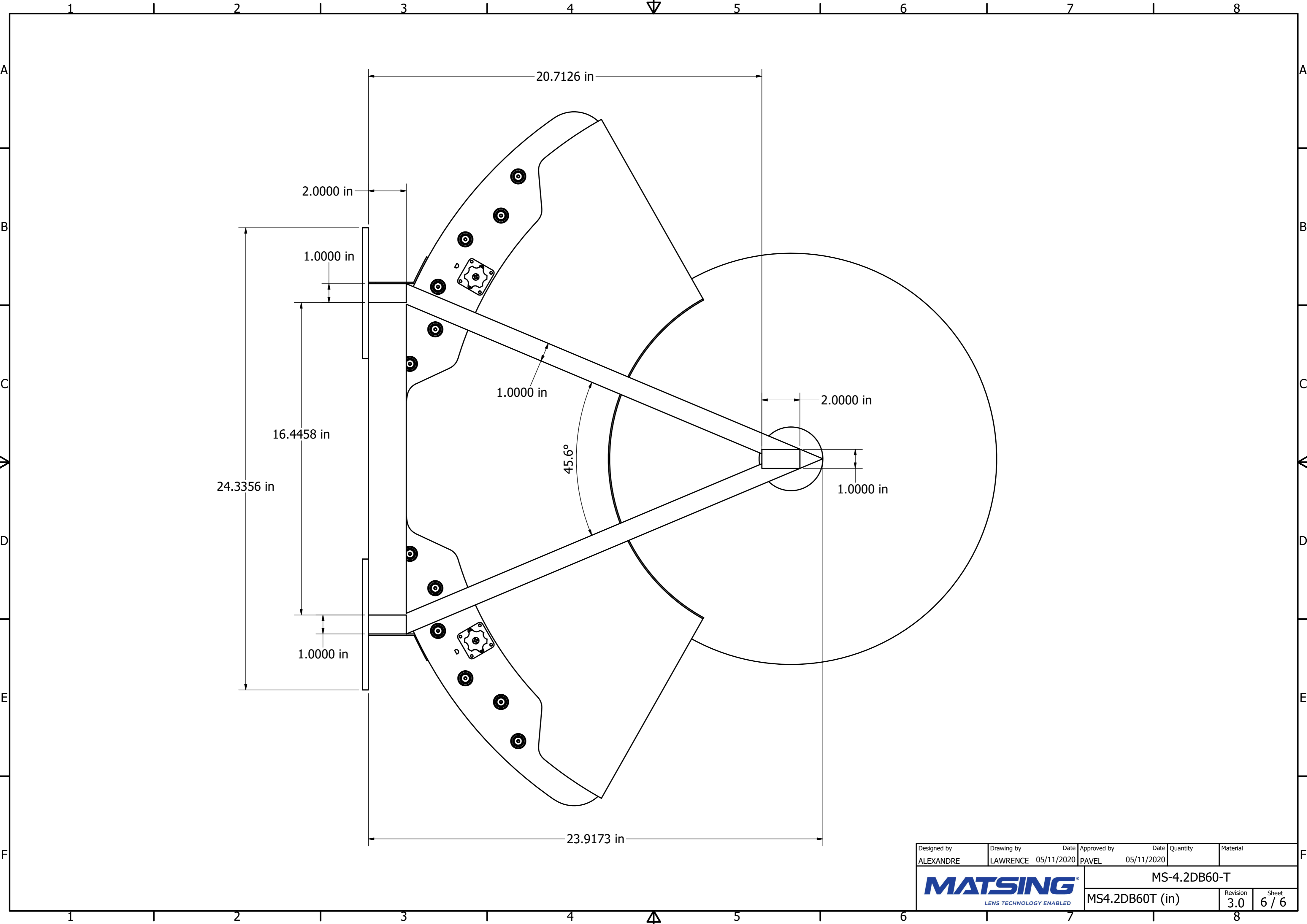



View A



View A

Designed by	Drawing by	Date	Approved by	Date	Quantity	Material
ALEXANDRE	LAWRENCE	05/11/2020	PAVEL	05/11/2020		
MATSING LENS TECHNOLOGY ENABLED						MS-4.2DB60-T
						MS4.2DB60T (in)
					Revision	Sheet
					3.0	5 / 6



Designed by ALEXANDRE	Drawing by LAWRENCE	Date 05/11/2020	Approved by PAVEL	Date 05/11/2020	Quantity	Material
 MATSING <small>LENS TECHNOLOGY ENABLED</small>						MS-4.2DB60-T
						MS4.2DB60T (in)