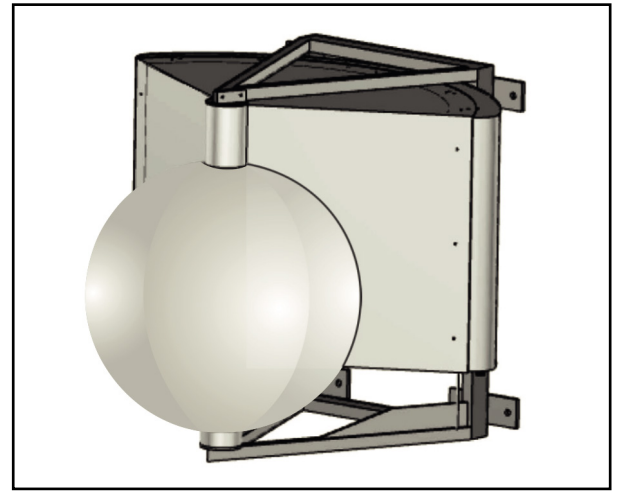


MS-4.2DB60-T

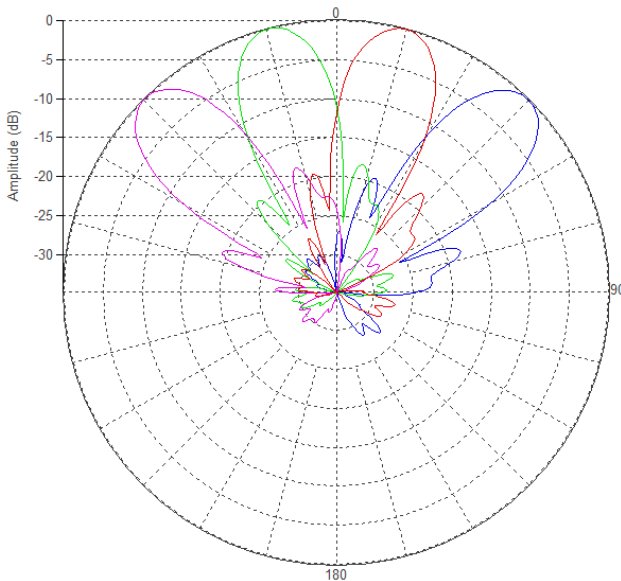
Multi-Beam Dual Band Spherical Lens Antenna: 4 independent high-frequency (1695-2690MHz) cross-polarized beams and 2 independent low-frequency (617-896MHz) cross-polarized beams with 15° tilt for each 60° group and 2X2 MIMO support. Group consists of 1 low-band and 2 high-band beams.

Standard RET Configuration.

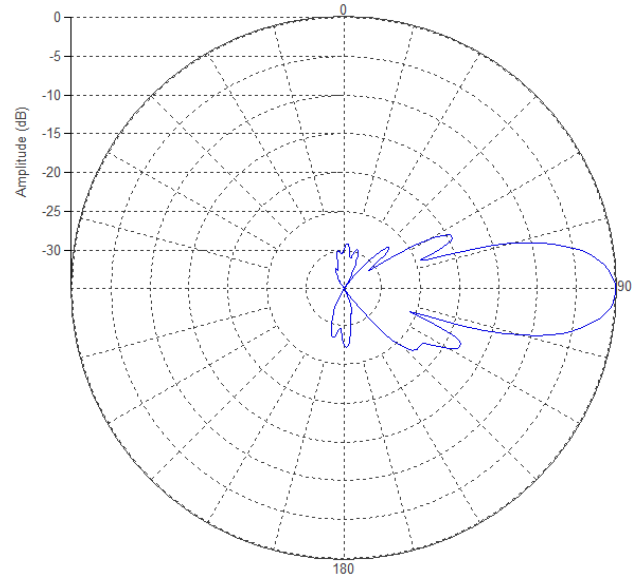


PATTERN RESULTS:

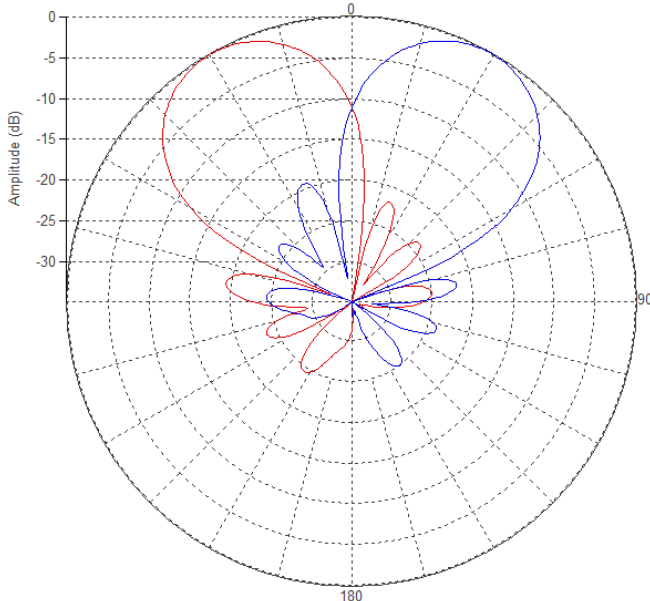
High-band Horizontal Pattern (1.92GHz)



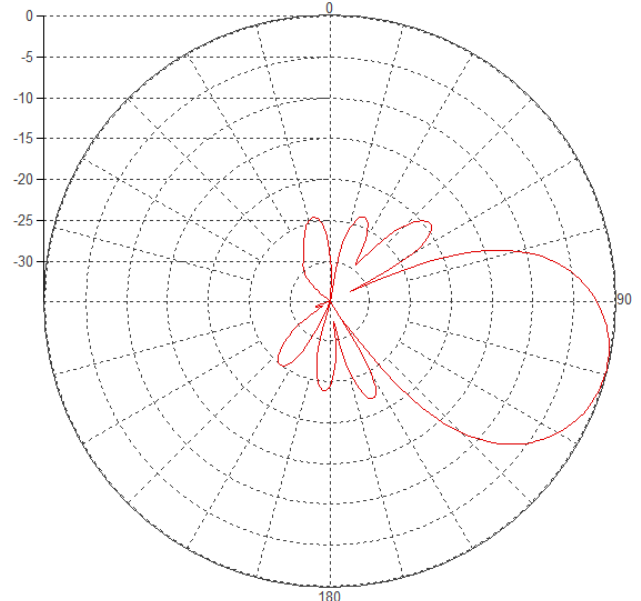
High-band Vertical Pattern (1.92GHz)



Low-band Horizontal Pattern (0.8GHz)



Low-band Vertical Pattern (0.8GHz)



TECHNICAL SPECIFICATIONS PER BEAM

Frequency	617-896 MHz	1695-2690 MHz
Gain	14.2dBi	20.5dBi
VSWR	<1.5:1	<1.5:1
Polarization	Dual Slant ±45°	Dual Slant ±45°
Horizontal Coverage	120°	120°
Horizontal Beamwidth (10dB level)	60°	30°
Horizontal Beamwidth (3dB level)	34°	17°
Vertical Beamwidth (10dB level)	60°	30°
Vertical Beamwidth (3dB level)	34°	17°
Beam Cross-over	10dB typical	10dB typical
Total Number of Beams	2	4
Manual Adjustable Tilt per 60° group (each group having 2 high-band beams and 1 low-band beam, low-band beam down 15 degree to high-band beam)	15° to 30°	0° to 15°
Sidelobe level	<-15dB	<-16dB
Front to Back Ratio	>28dB	>28dB
Isolation Port to Port - Polarization	>28dB	>28dB
Isolation Port to Port - Beam	>26dB	>28dB
Power Rating	250W per port	250W per port
Intermodulation	<-153dBc	<-153dBc
Impedance	50 ohm	50 ohm
Connector Quantity and Type	4 x 4.3-10 female	8 x 4.3-10 female

MECHANICAL DATA

Dimensions (H x W x D)	Spherical Lens diameter: 60cm/24inch Antenna dimensions: 85.8 x 92.7 x 84.5 cm 33.8 x 36.5 x 33.3 inch
Antenna Weight	28.78 kg 63.4 lbs
Radome Material	Fiber Glass
Mounting	Standard Pipe Mount Compatible pipe diameter: 6.1 – 11.4 cm 2.4 – 4.5 inch

ENVIRONMENTAL RATINGS

Humidity	95% RH @ +30°C
Temperature	-40°C to +70°C
Wind load @ 150 km/hr	N/lbf Frontal: 671/151 Lateral: 642/144 Rear: 695/156

CONNECTOR LAYOUT:

