

Wind Load

Antenna MS-24H180

Antenna Model Number

MS-24H180

Velocity [km/h]

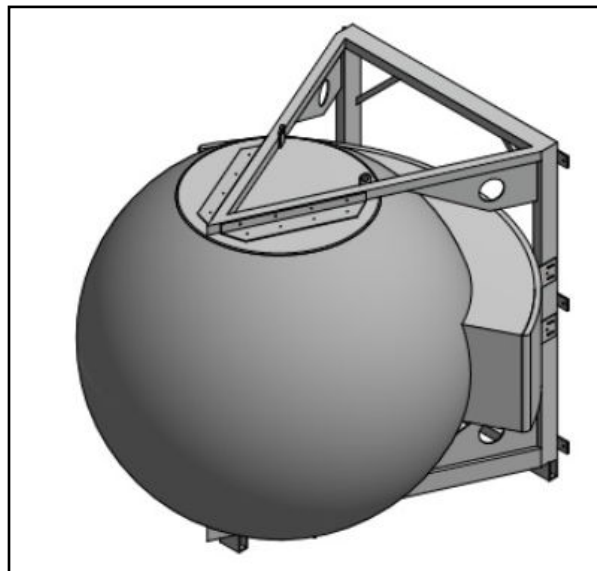
150

Dimensions: H x W x D [mm]

1820 x 2050 x 2070

Spherical Lens Diameter [mm]

1800



Results

	Frontal	Lateral
Antenna Drag Coefficient	0.59	0.63
Frontal Wind Load [N/lbf]	1838/413	2053/462