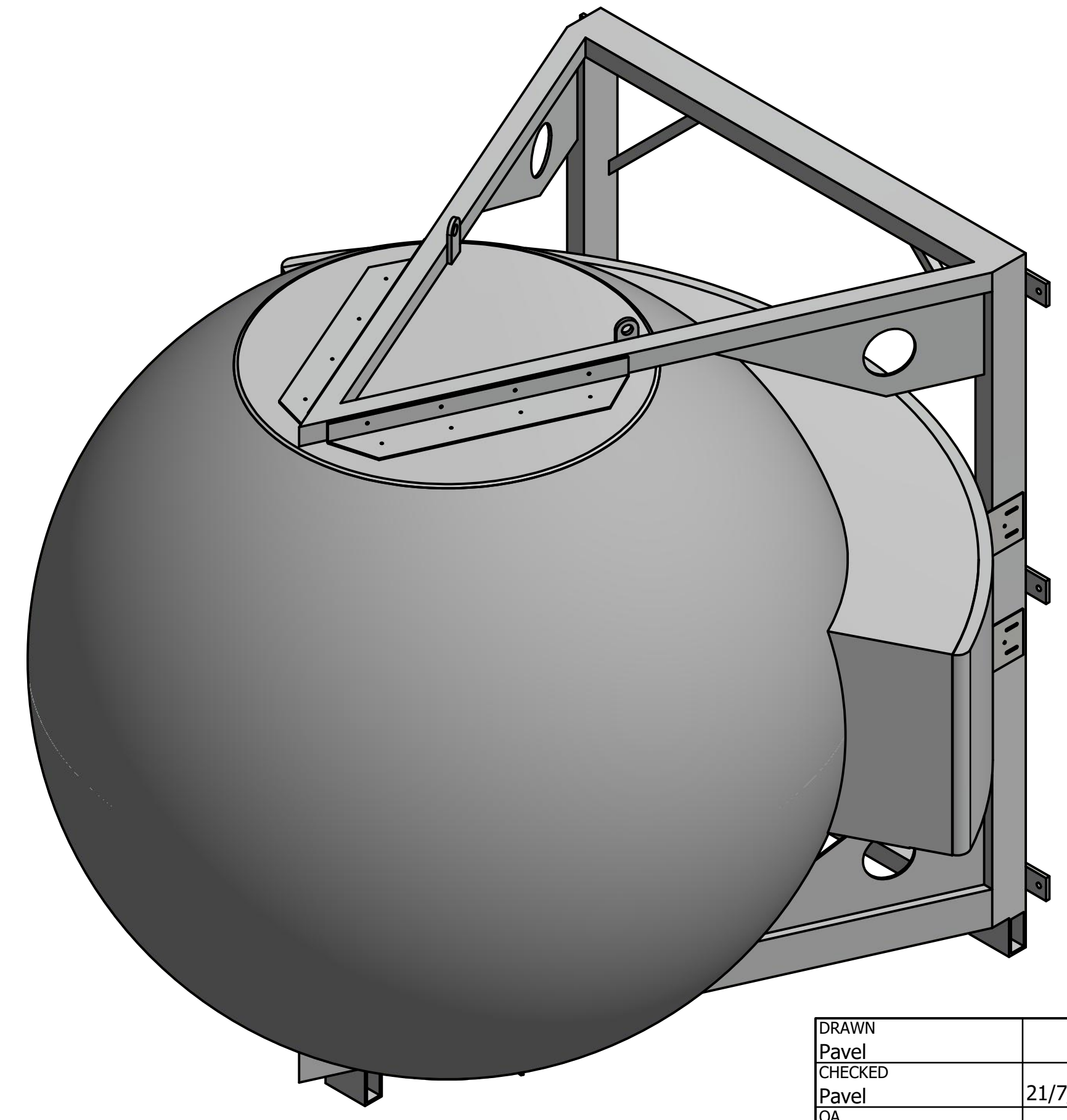
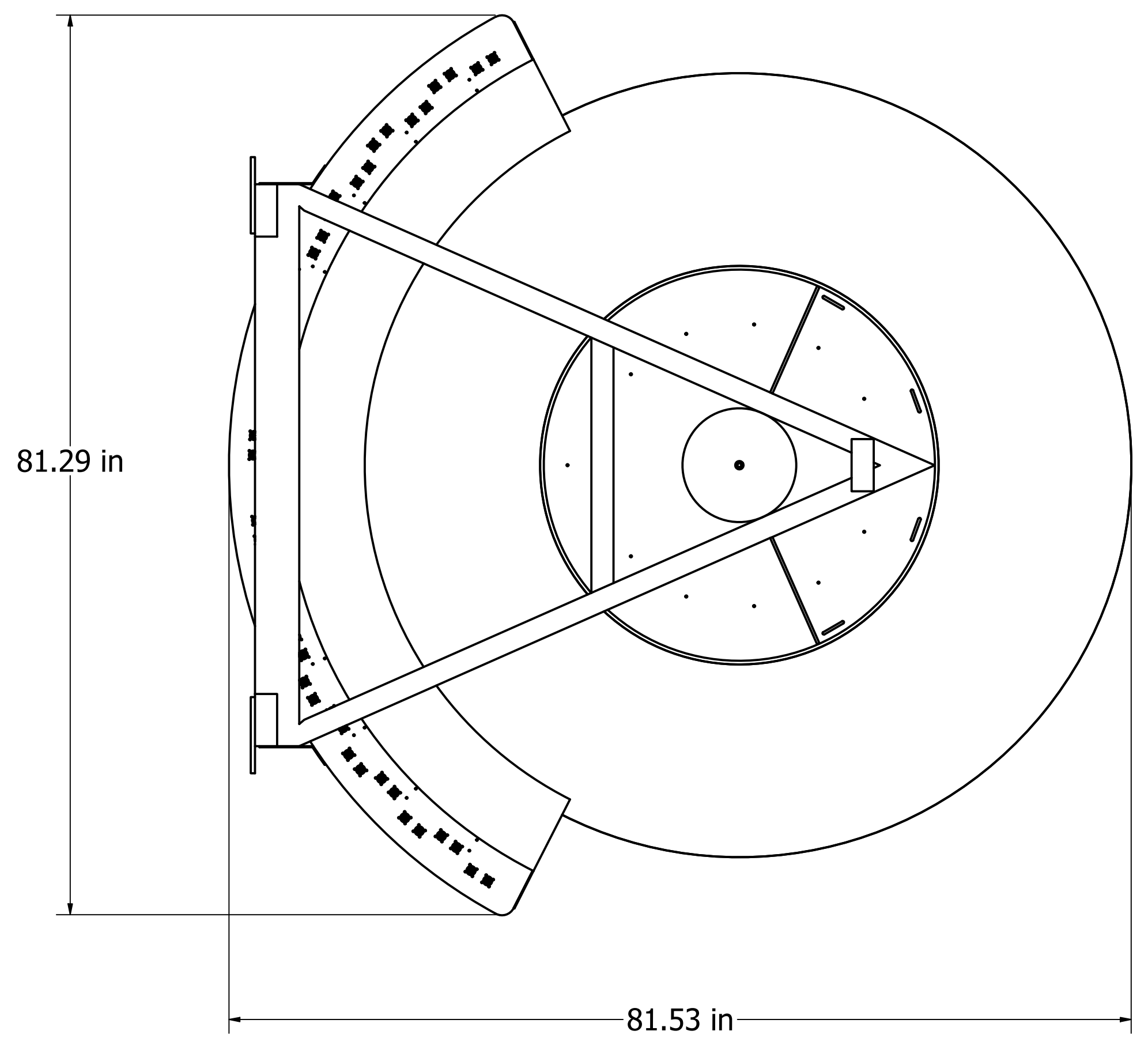
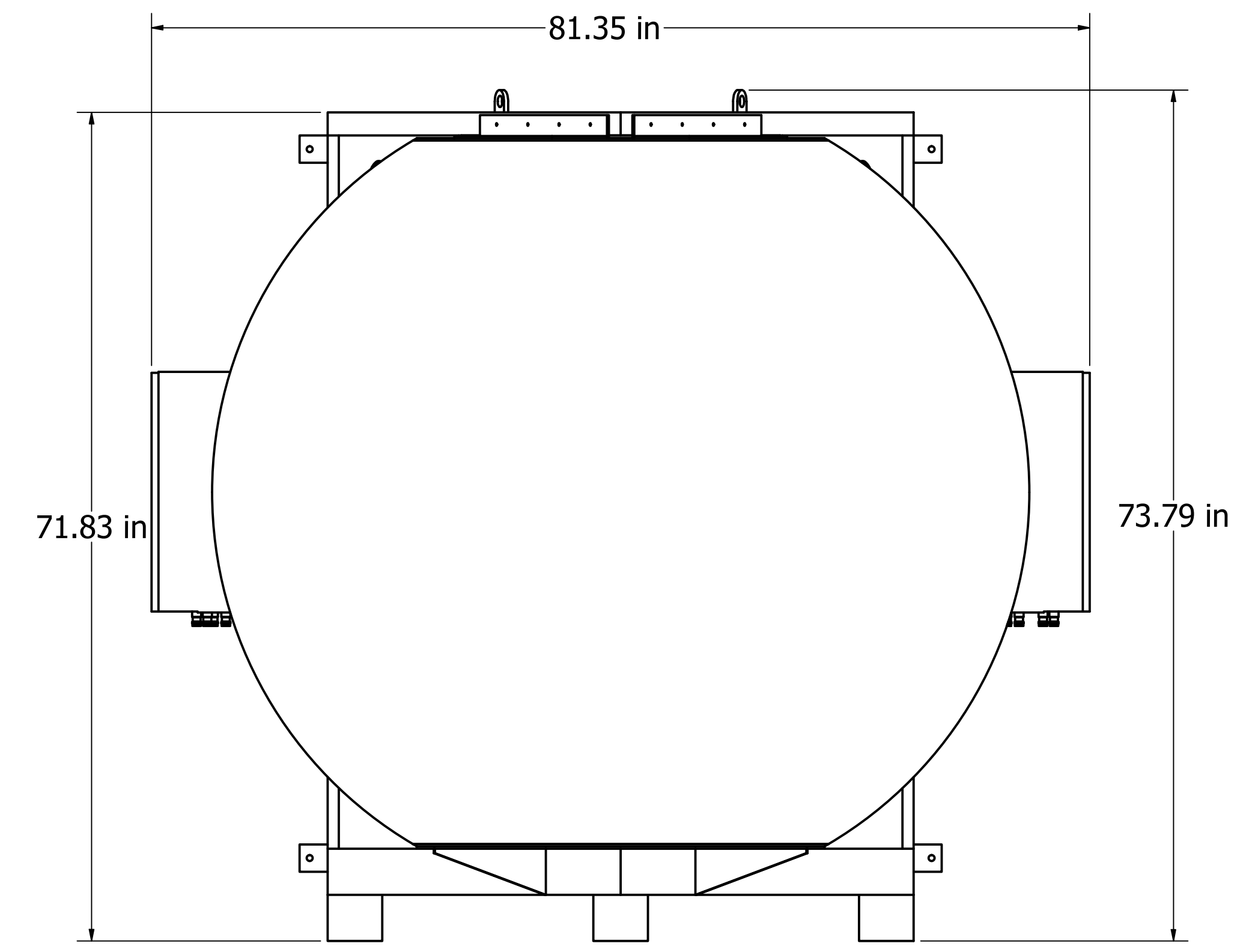
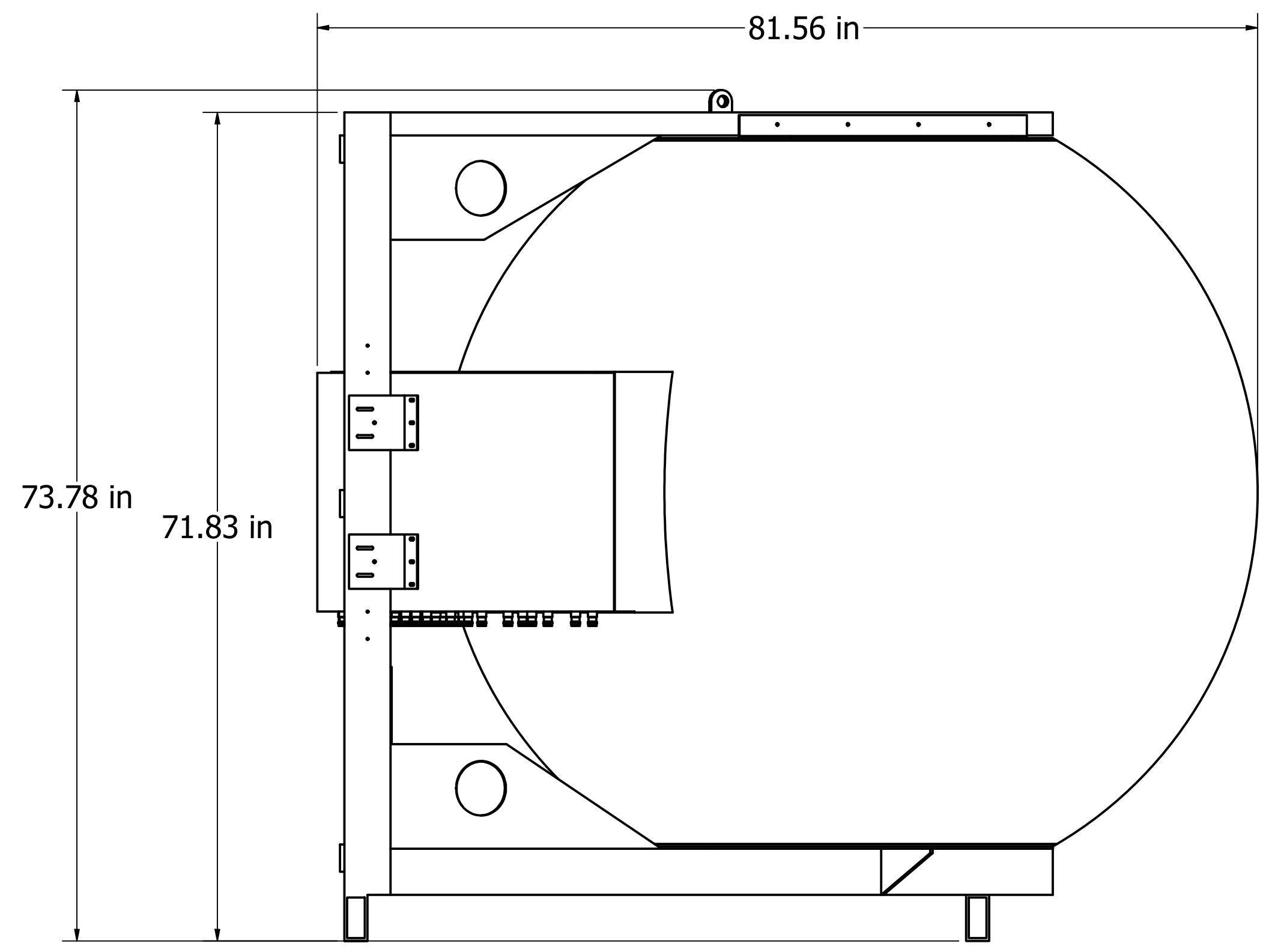
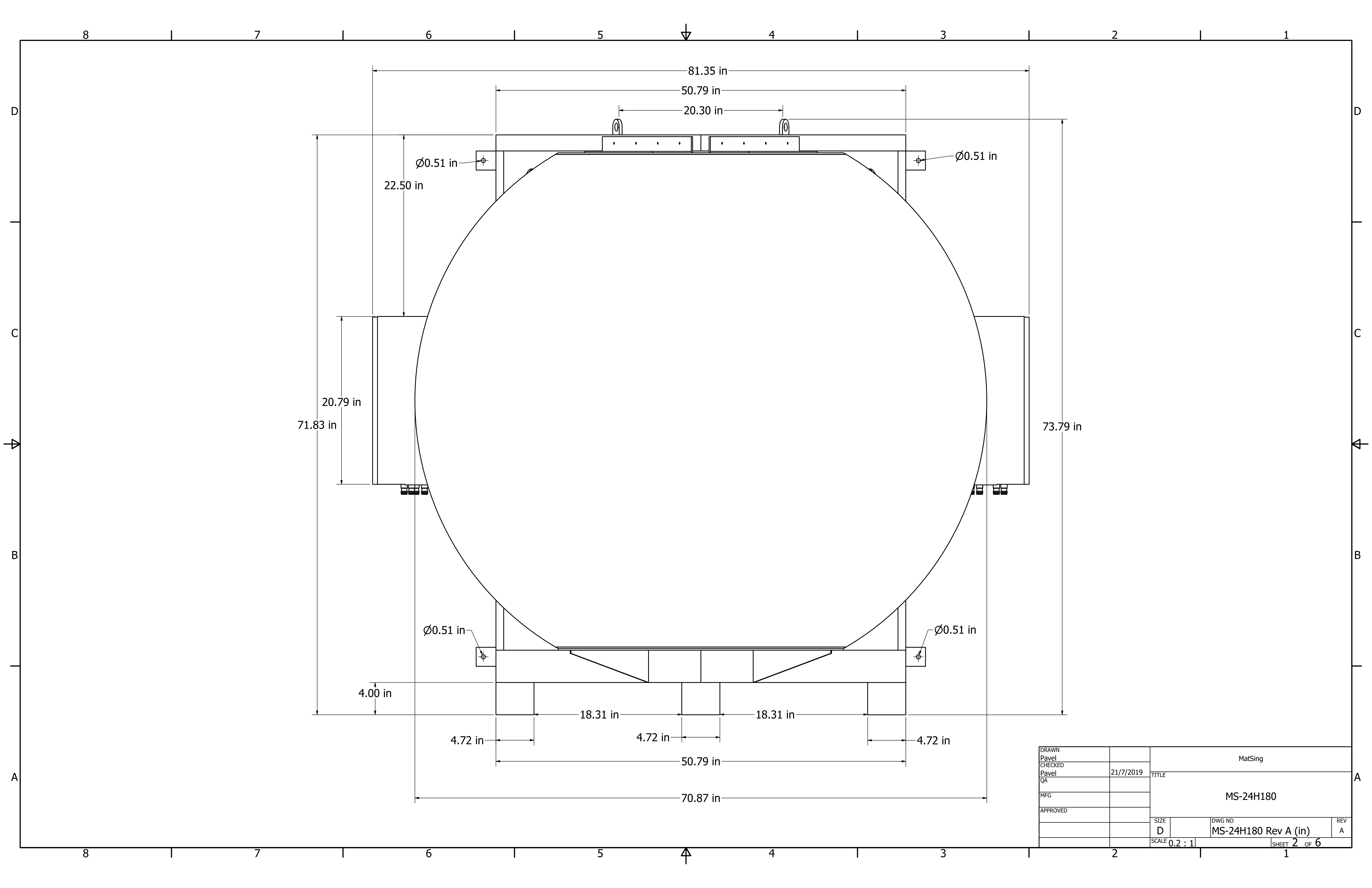


8 7 6 5 4 3 2 1

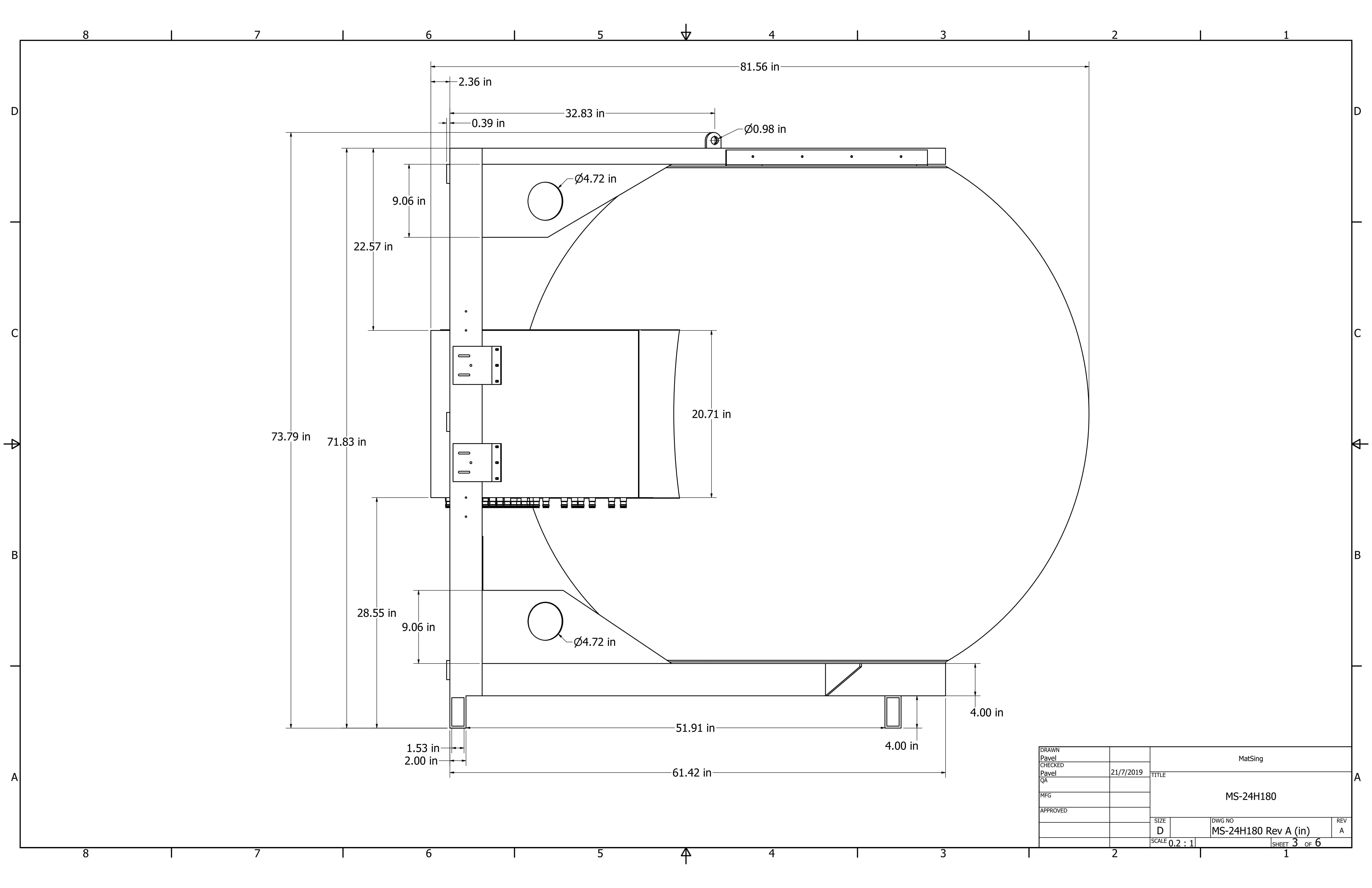


DRAWN Pavel		MatSing		
CHECKED Pavel	21/7/2019	TITLE		
QA		MS-24H180		
MFG		SIZE	DWG NO	REV
APPROVED		D	MS-24H180 Rev A (in)	A
		SCALE 0.1 : 1	SHEET 1 OF 6	

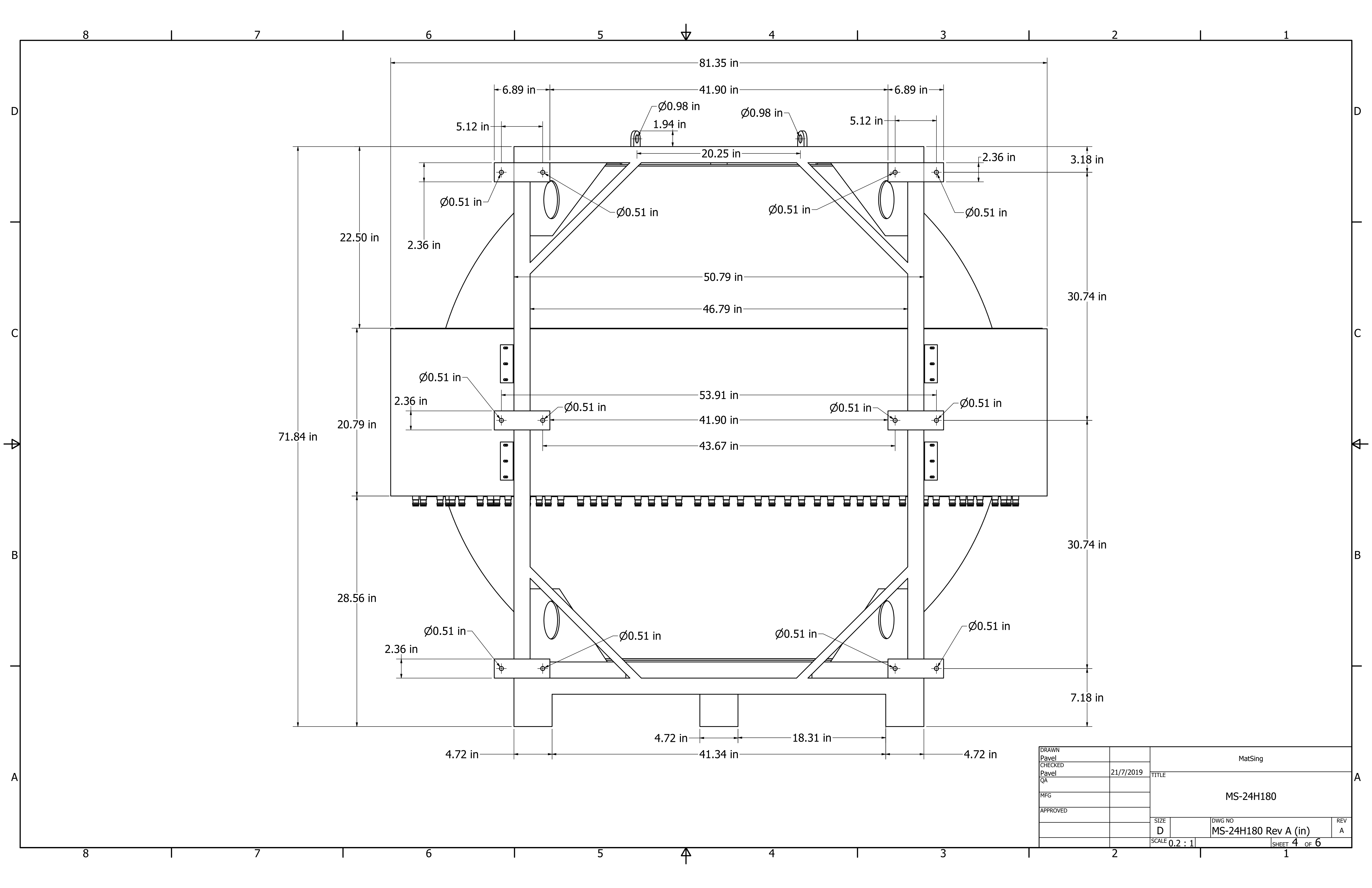
8 7 6 5 4 3 2 1



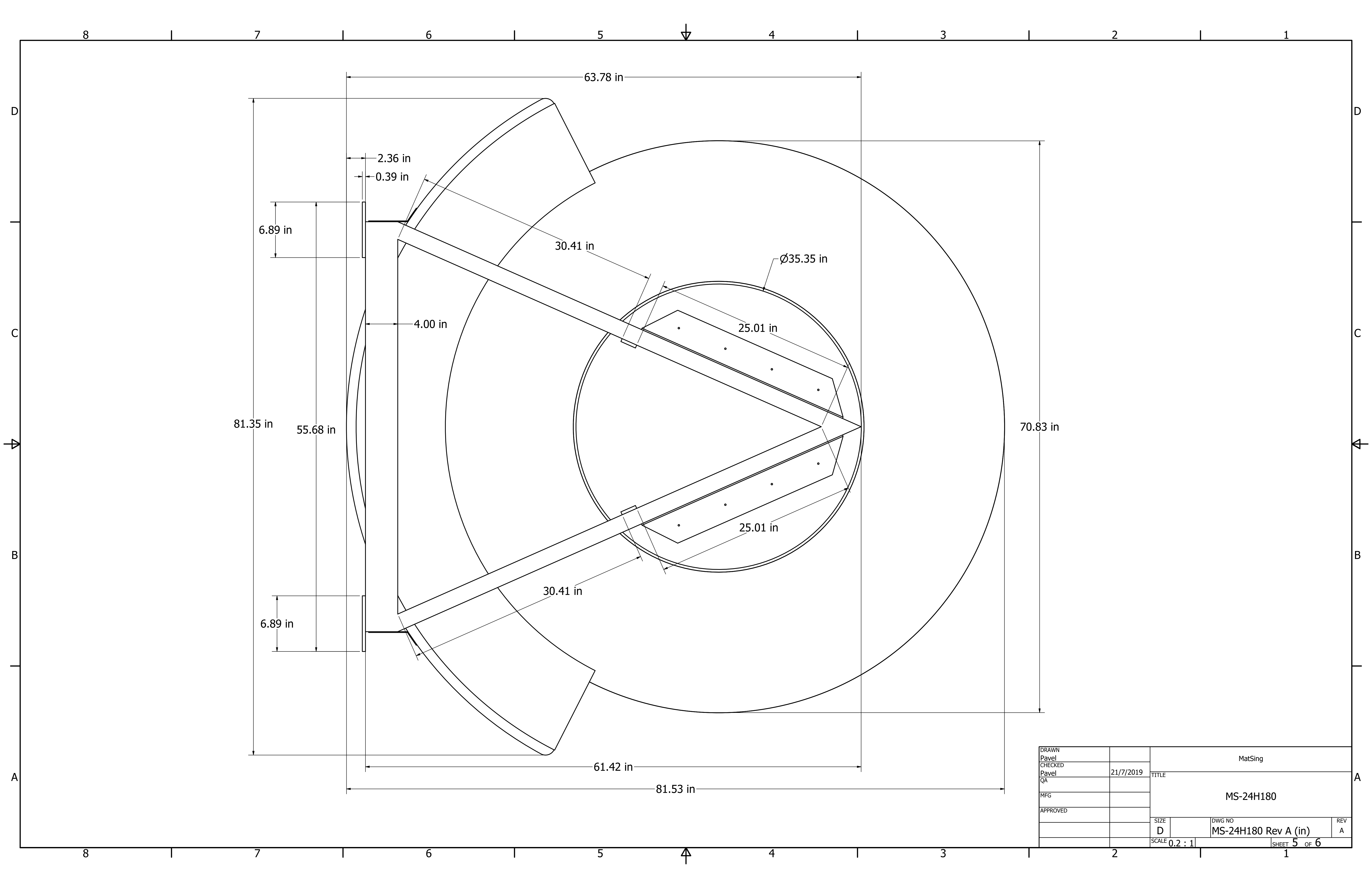
DRAWN Pavel		MatSing		
CHECKED Pavel	21/7/2019	TITLE		
QA		MS-24H180		
MFG		SIZE	DWG NO	REV
APPROVED		D	MS-24H180 Rev A (in)	A
		SCALE 0.2 : 1		SHEET 2 OF 6



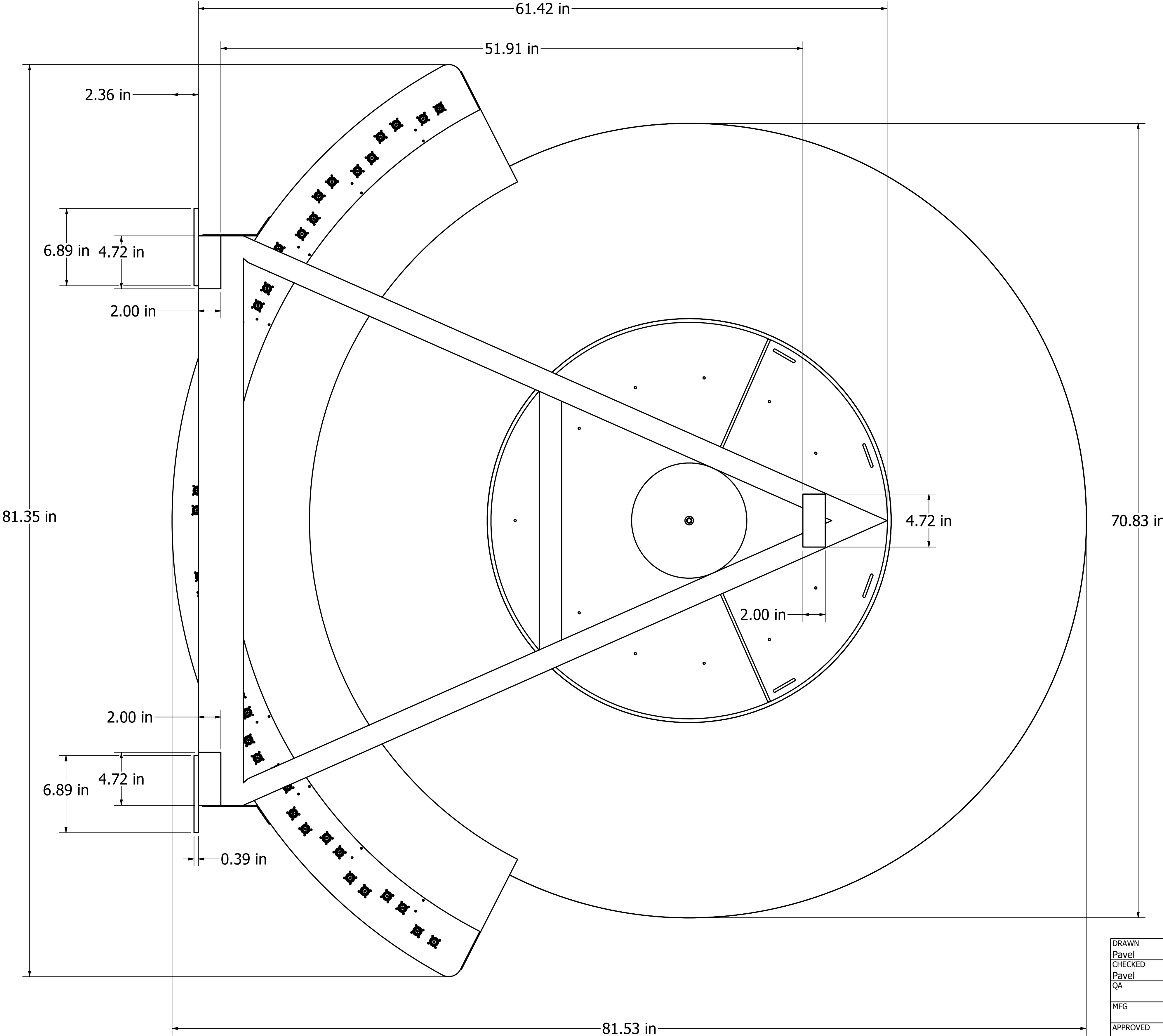
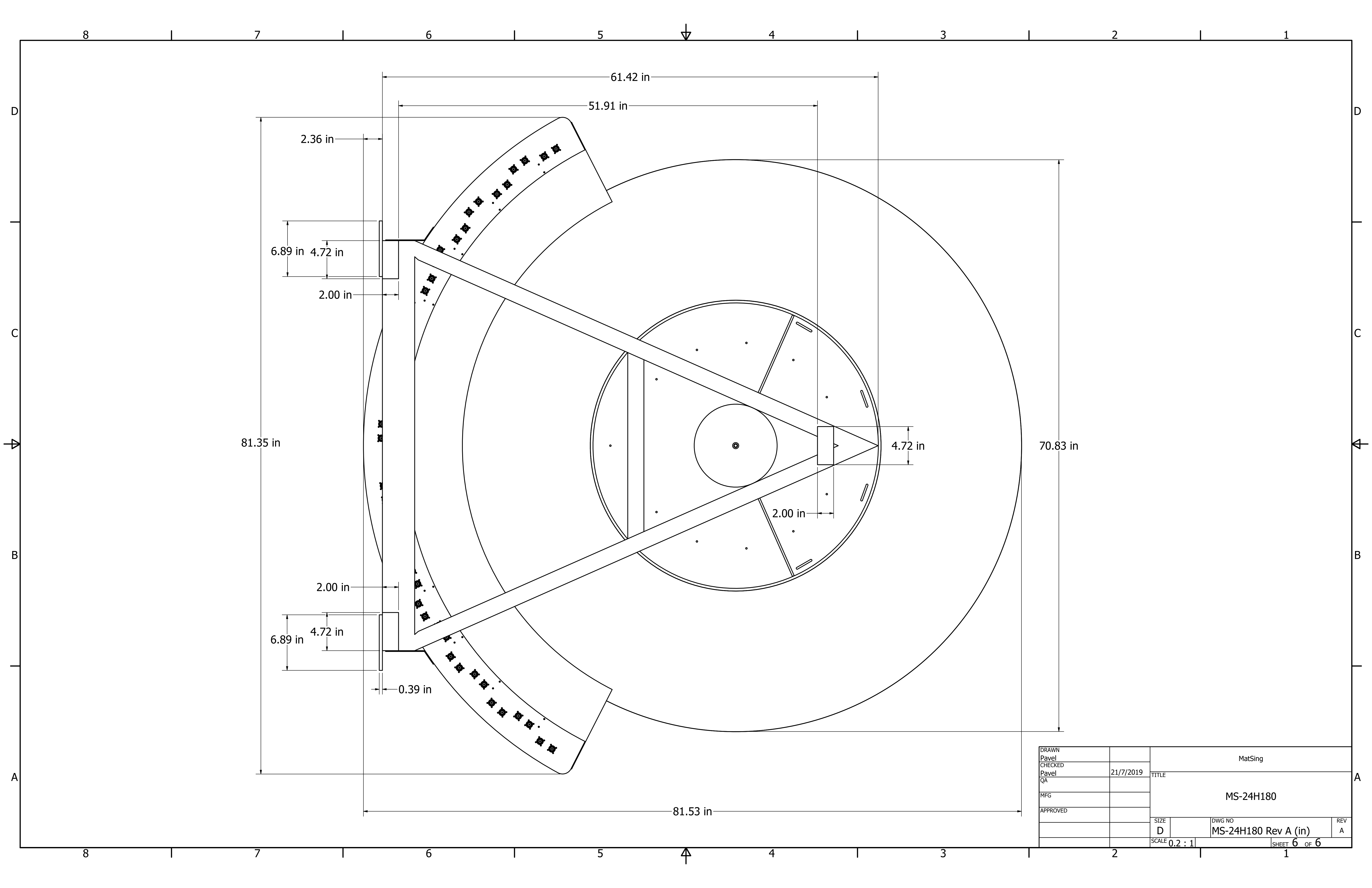
DRAWN Pavel		MatSing		
CHECKED Pavel	21/7/2019	TITLE		
QA		MS-24H180		
MFG				
APPROVED				
		SIZE D	DWG NO MS-24H180 Rev A (in)	REV A
		SCALE 0.2 : 1		SHEET 3 OF 6



DRAWN		MatSing		
CHECKED		TITLE		
Pavel	21/7/2019	MS-24H180		
QA				
MFG				
APPROVED				
		SIZE	DWG NO	REV
		D	MS-24H180 Rev A (in)	A
		SCALE 0.2 : 1		SHEET 4 OF 6



DRAWN Pavel		MatSing		
CHECKED Pavel	21/7/2019	TITLE		
QA		MS-24H180		
MFG		SIZE	DWG NO	REV
APPROVED		D	MS-24H180 Rev A (in)	A
		SCALE 0.2 : 1	SHEET 5 OF 6	



DRAWN		MatSing		
CHECKED		TITLE		
Pavel	21/7/2019	MS-24H180		
QA				
MFG				
APPROVED				
		SIZE	DWG NO	REV
		D	MS-24H180 Rev A (in)	A
		SCALE	SHEET 6 OF 6	
		0.2 : 1		