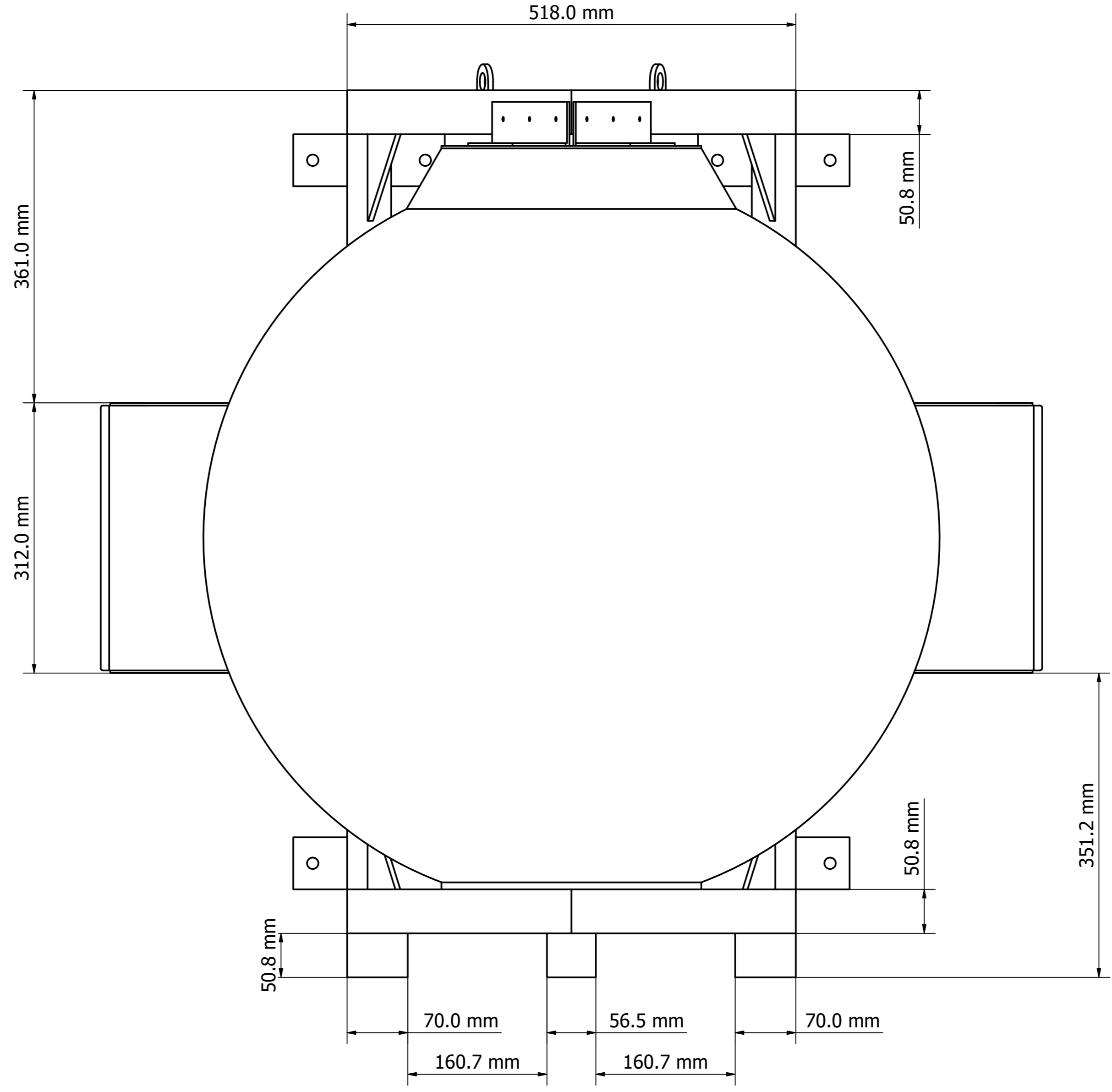
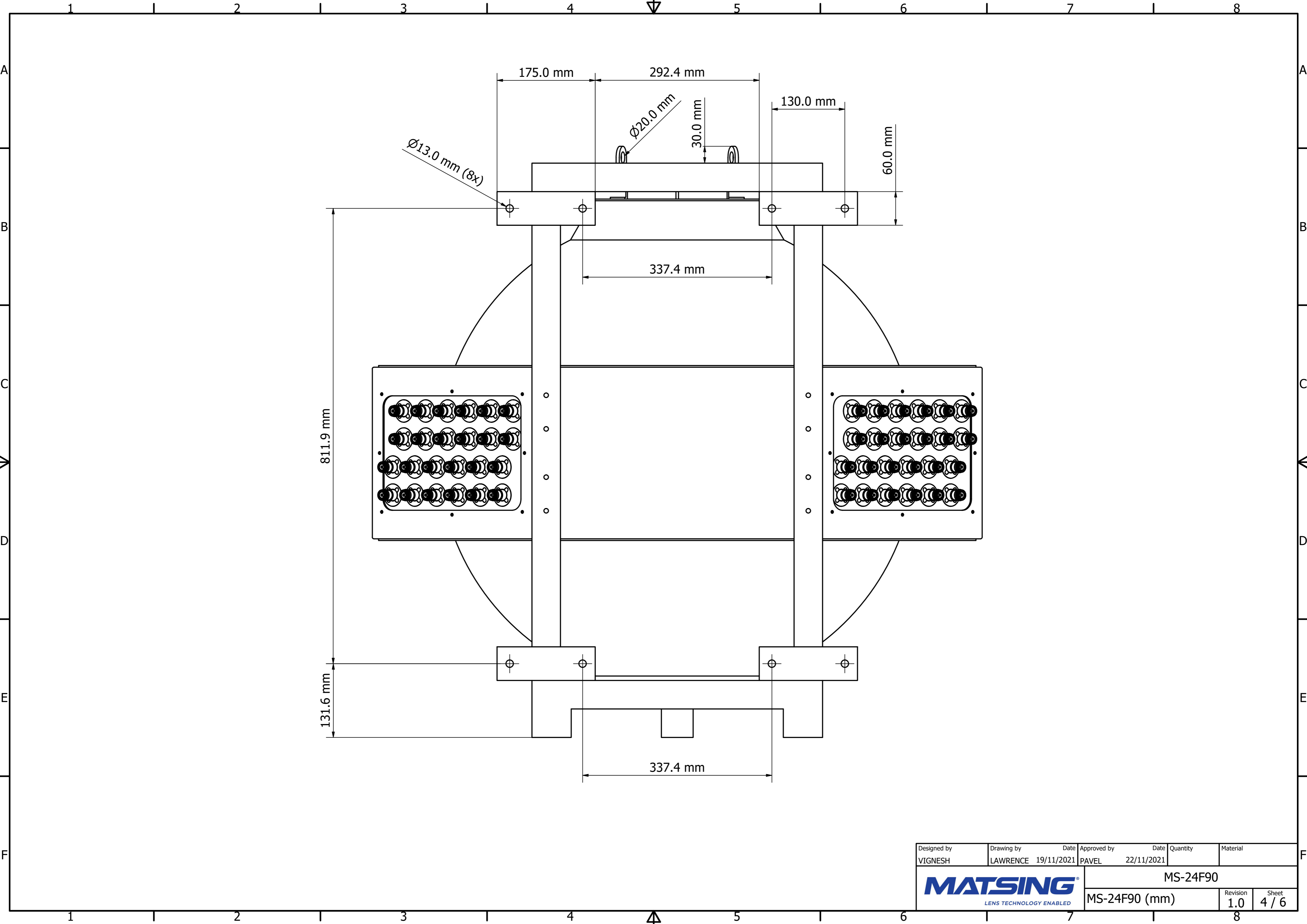


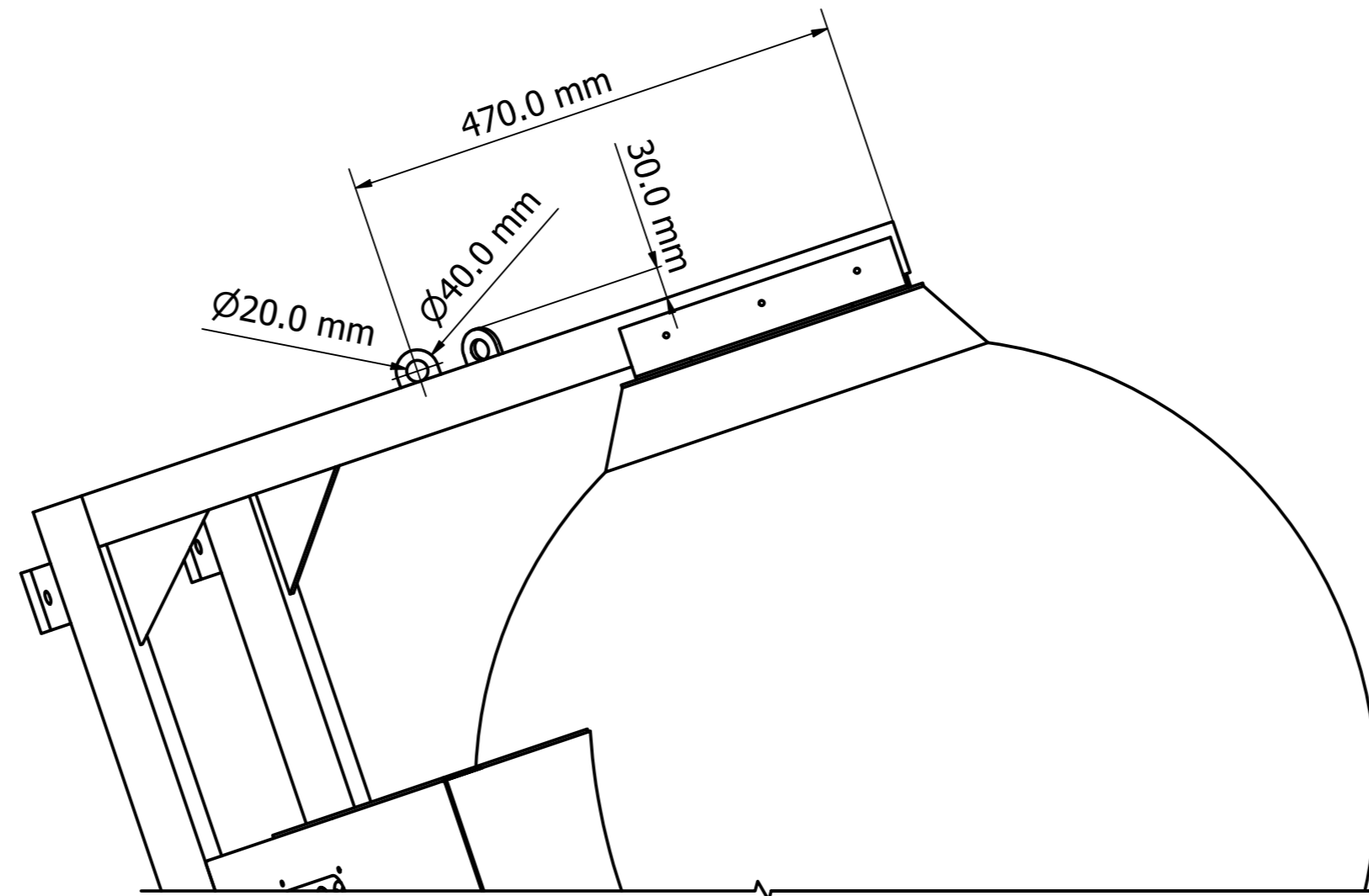
Designed by	Drawing by	Date	Approved by	Date	Quantity	Material	
VIGNESH	LAWRENCE	19/11/2021	PAVEL	22/11/2021			
MATSING LENS TECHNOLOGY ENABLED						MS-24F90	
MS-24F90 (mm)						Revision 1.0	Sheet 1 / 6



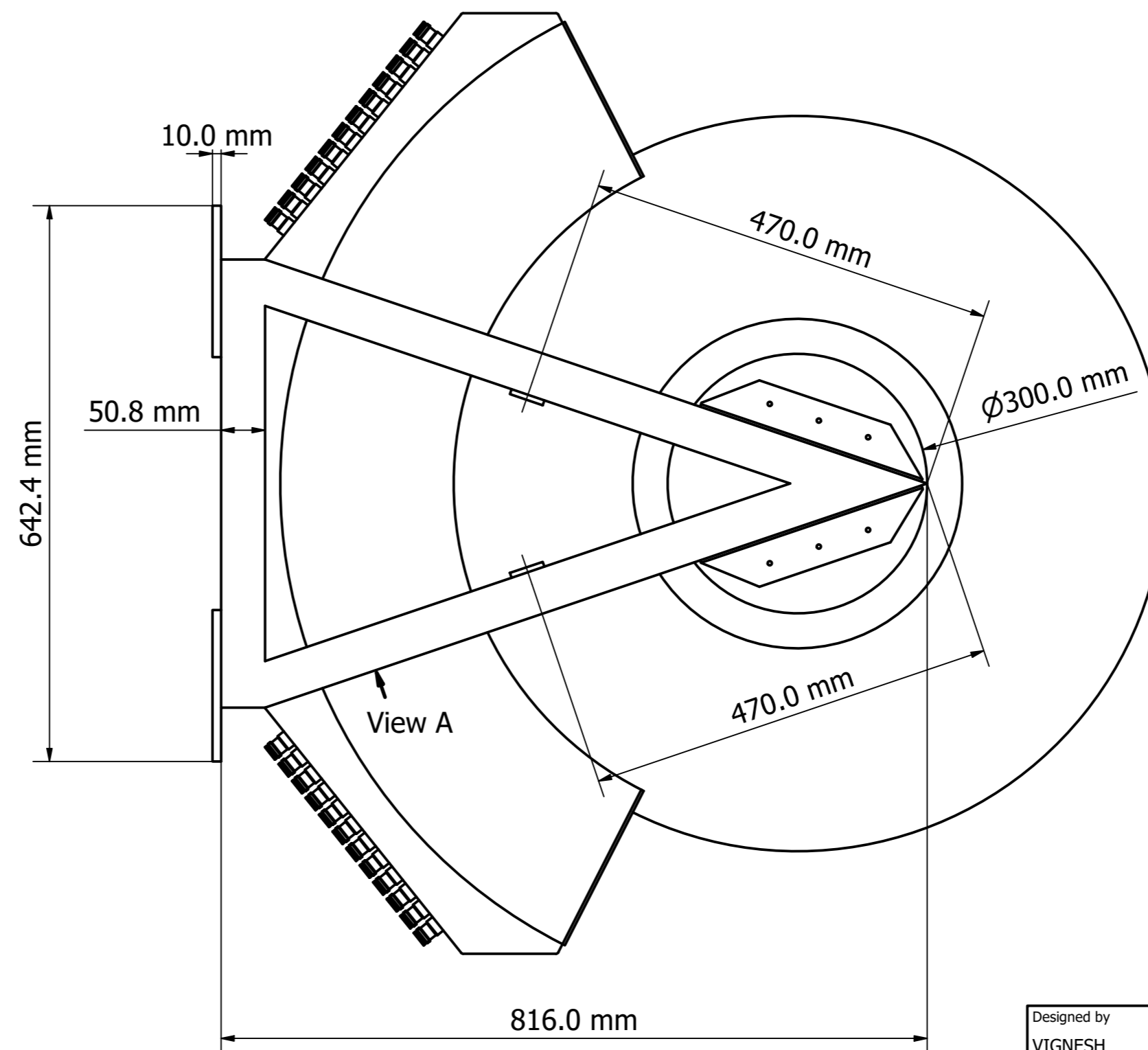
Designed by VIGNESH	Drawing by LAWRENCE	Date 19/11/2021	Approved by PAVEL	Date 22/11/2021	Quantity	Material
MATSING LENS TECHNOLOGY ENABLED						MS-24F90
MS-24F90 (mm)					Revision 1.0	Sheet 2 / 6



Designed by VIGNESH	Drawing by LAWRENCE	Date 19/11/2021	Approved by PAVEL	Date 22/11/2021	Quantity	Material
MATSING LENS TECHNOLOGY ENABLED						MS-24F90
					Revision 1.0	Sheet 4 / 6

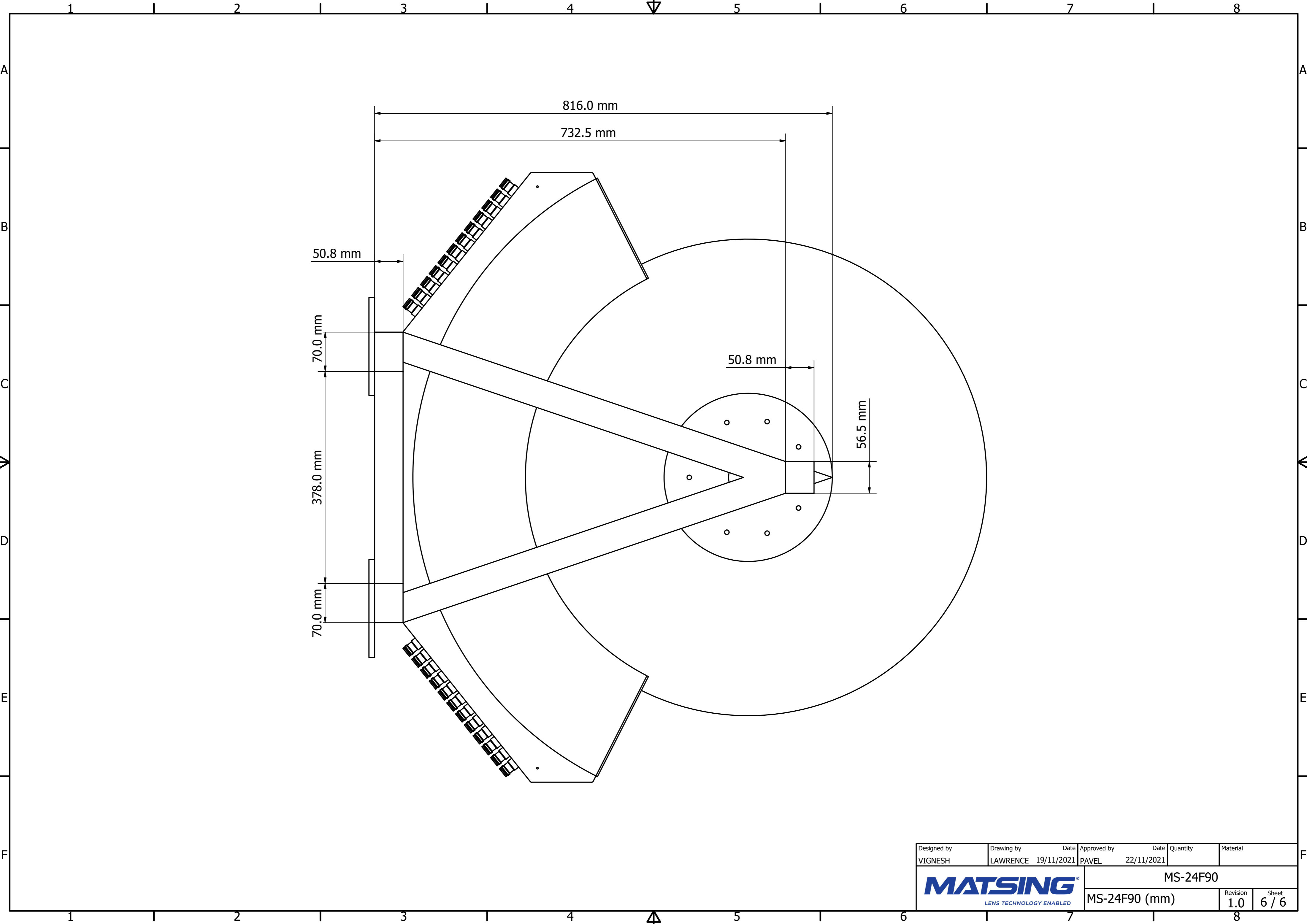


View A



View A

Designed by	Drawing by	Date	Approved by	Date	Quantity	Material	
VIGNESH	LAWRENCE	19/11/2021	PAVEL	22/11/2021			
MATSING LENS TECHNOLOGY ENABLED						MS-24F90	
MS-24F90 (mm)						Revision 1.0	Sheet 5 / 6



Designed by VIGNESH	Drawing by LAWRENCE	Date 19/11/2021	Approved by PAVEL	Date 22/11/2021	Quantity	Material
MATSING LENS TECHNOLOGY ENABLED						MS-24F90
MS-24F90 (mm)					Revision 1.0	Sheet 6 / 6