

Wind Load

Antenna MS-24C90

Antenna Model Number

MS-24C90

Velocity [km/h]

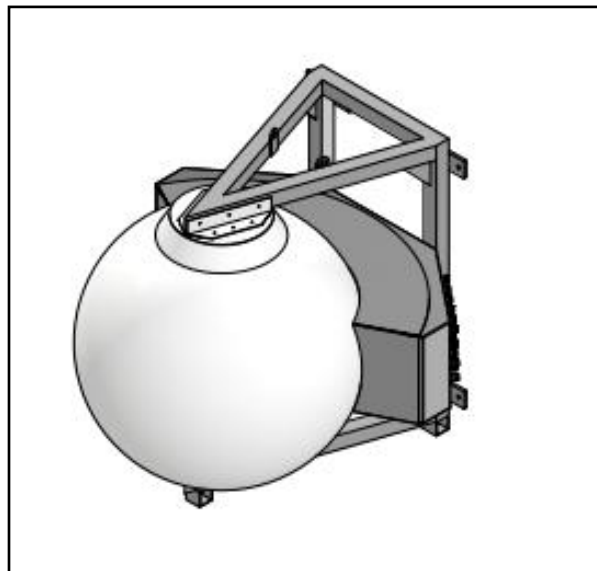
150

Dimensions: H x W x D [mm]

1000 x 1190 x 1210

Spherical Lens Diameter [mm]

850



Results

| | Frontal | Lateral |
|----------------------------------|----------------|----------------|
| Antenna Drag Coefficient | 0.63 | 0.703 |
| Frontal Wind Load [N/lbf] | 429.3/96.5 | 562.8/126.5 |