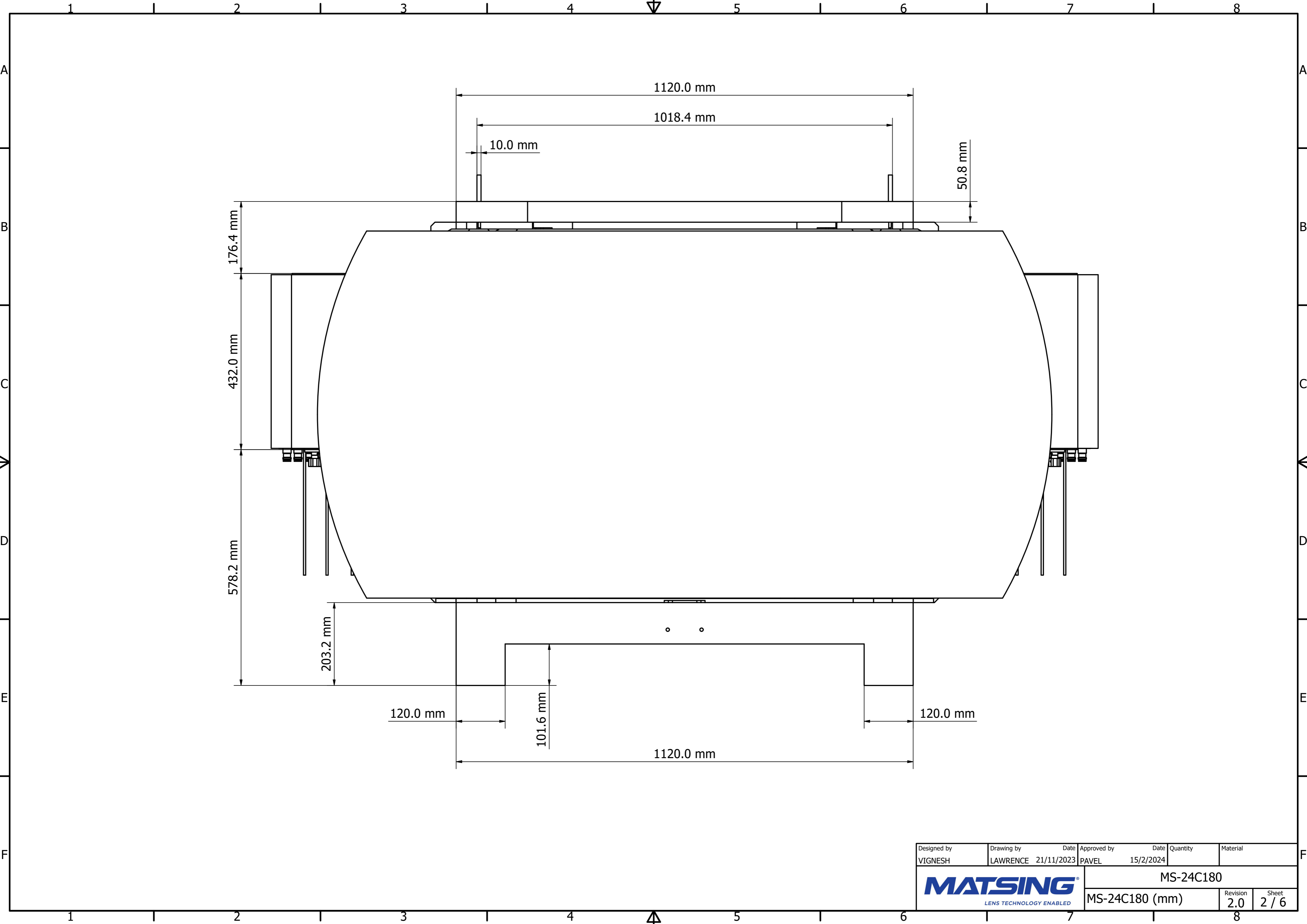

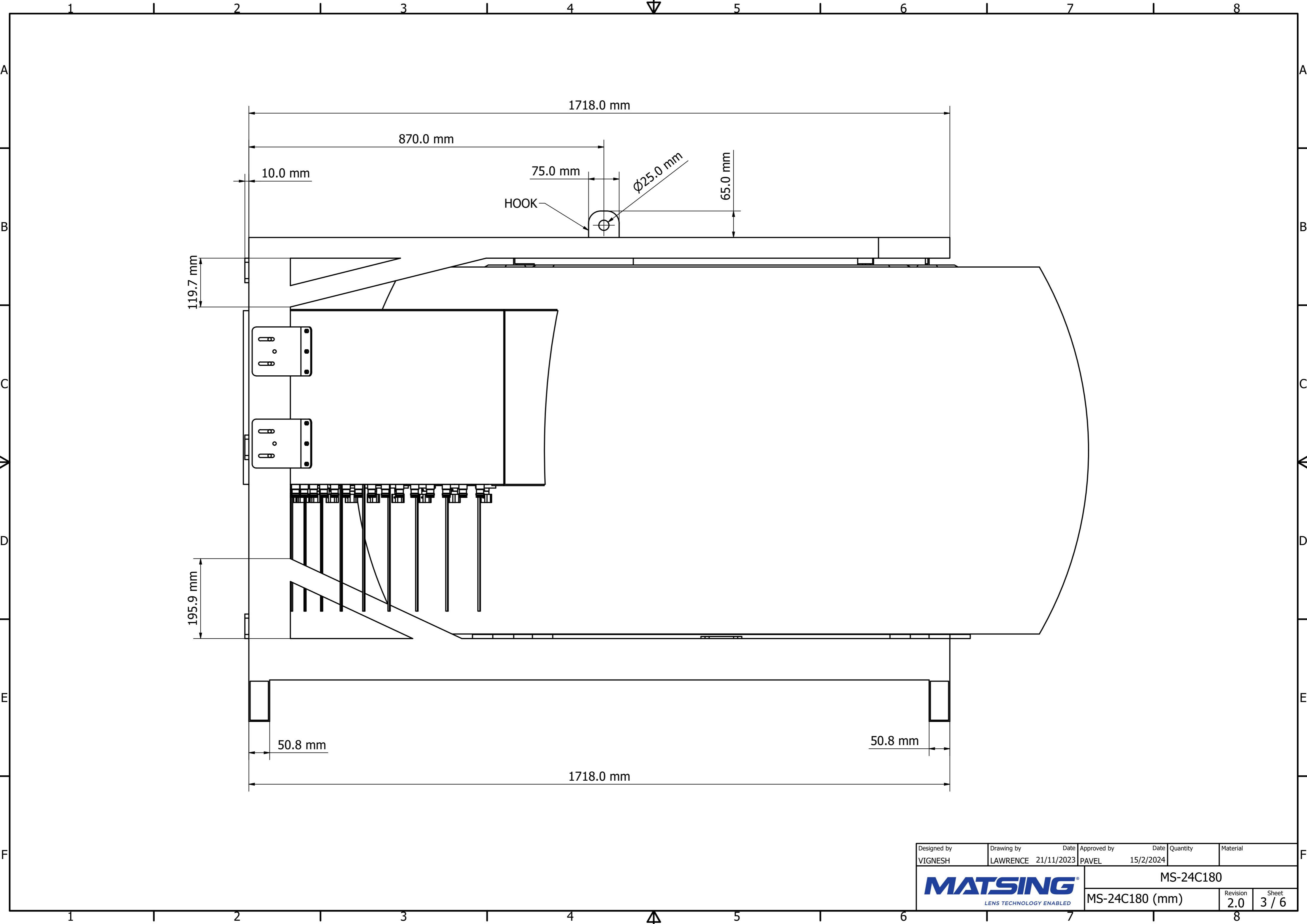


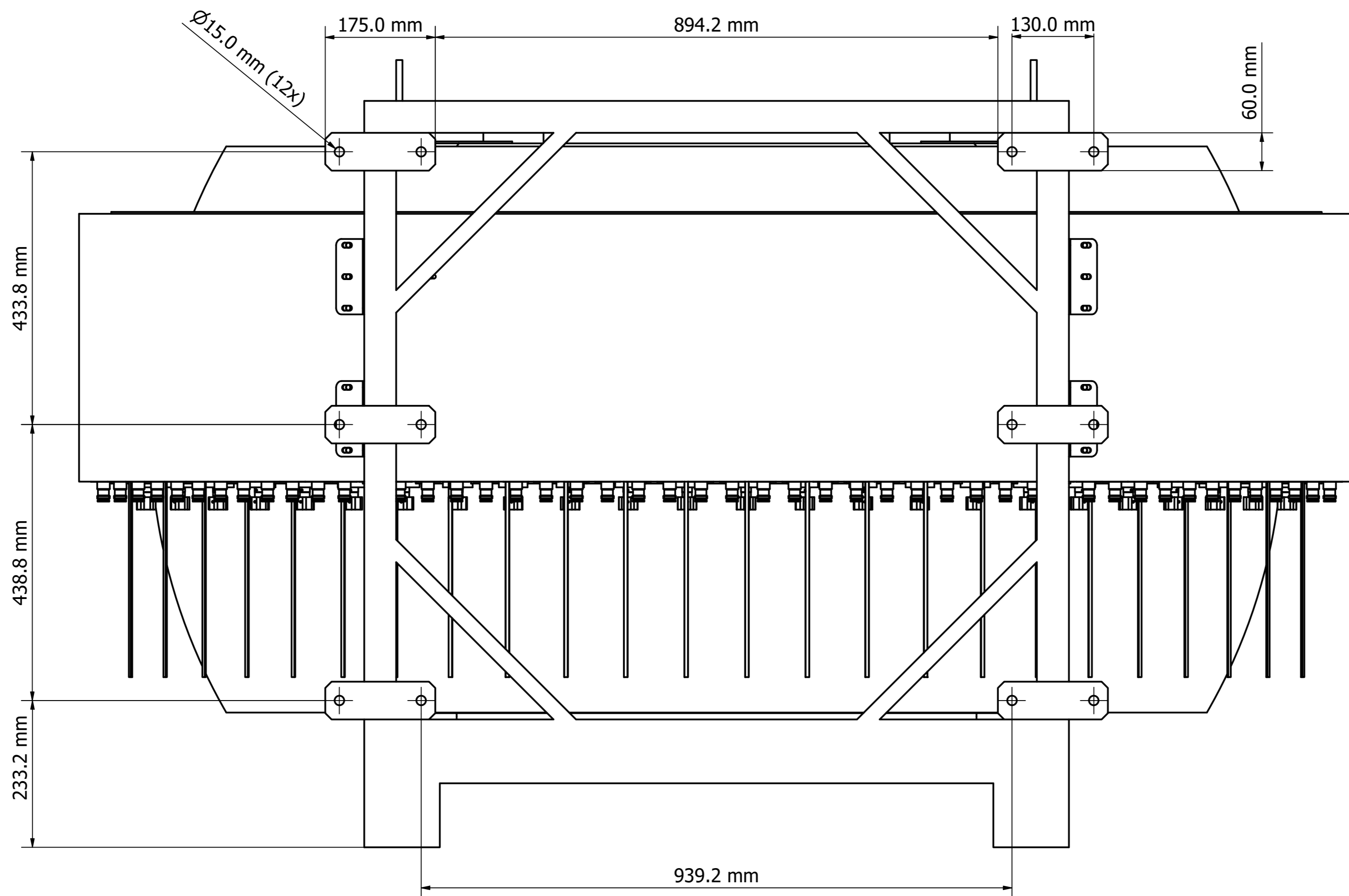
Designed by VIGNESH	Drawing by LAWRENCE	Date 21/11/2023	Approved by PAVEL	Date 15/2/2024	Quantity	Material
MATSING LENS TECHNOLOGY ENABLED						MS-24C180
					MS-24C180 (mm)	Revision 2.0
					Sheet 1 / 6	



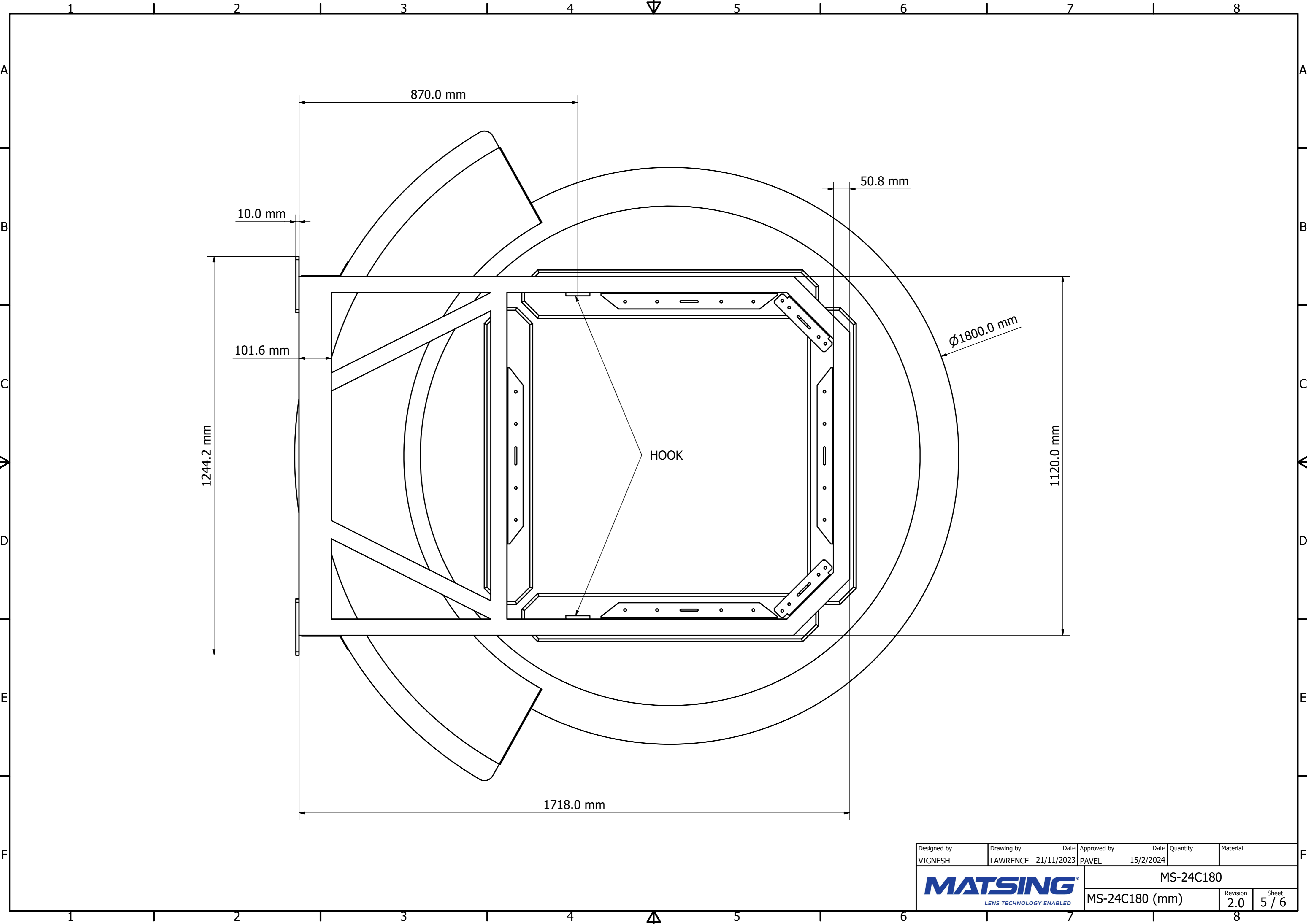
Designed by VIGNESH	Drawing by LAWRENCE	Date 21/11/2023	Approved by PAVEL	Date 15/2/2024	Quantity	Material
						MS-24C180
						MS-24C180 (mm)



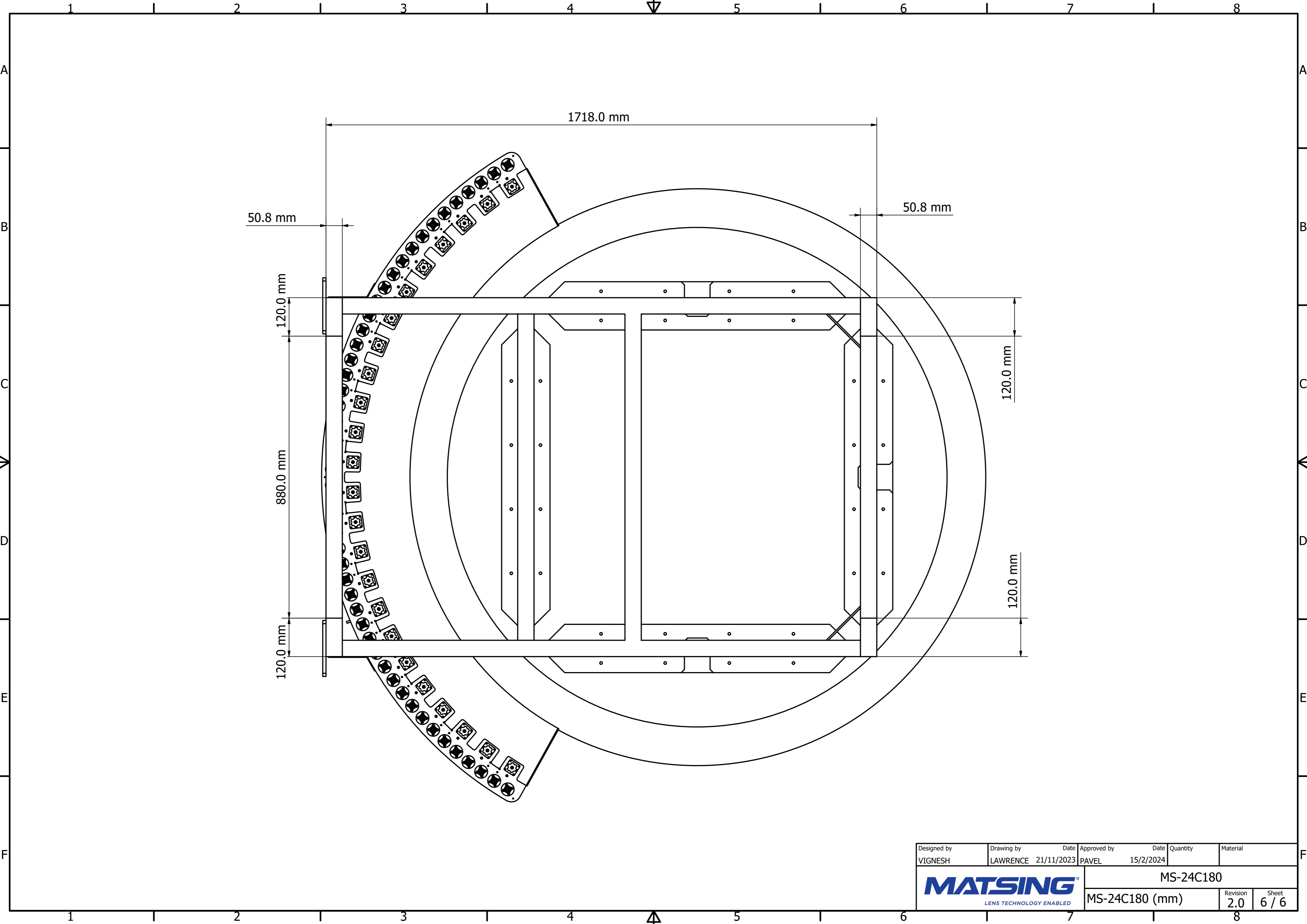
Designed by VIGNESH	Drawing by LAWRENCE	Date 21/11/2023	Approved by PAVEL	Date 15/2/2024	Quantity	Material
MATSING LENS TECHNOLOGY ENABLED						MS-24C180
MS-24C180 (mm)					Revision 2.0	Sheet 3 / 6




Designed by VIGNESH	Drawing by LAWRENCE	Date 21/11/2023	Approved by PAVEL	Date 15/2/2024	Quantity	Material
MATSING LENS TECHNOLOGY ENABLED						MS-24C180
MS-24C180 (mm)					Revision 2.0	Sheet 4 / 6



Designed by VIGNESH	Drawing by LAWRENCE	Date 21/11/2023	Approved by PAVEL	Date 15/2/2024	Quantity	Material
MATSING LENS TECHNOLOGY ENABLED						MS-24C180
MS-24C180 (mm)					Revision 2.0	Sheet 5 / 6



Designed by VIGNESH	Drawing by LAWRENCE	Date 21/11/2023	Approved by PAVEL	Date 15/2/2024	Quantity	Material
						MS-24C180
						MS-24C180 (mm)