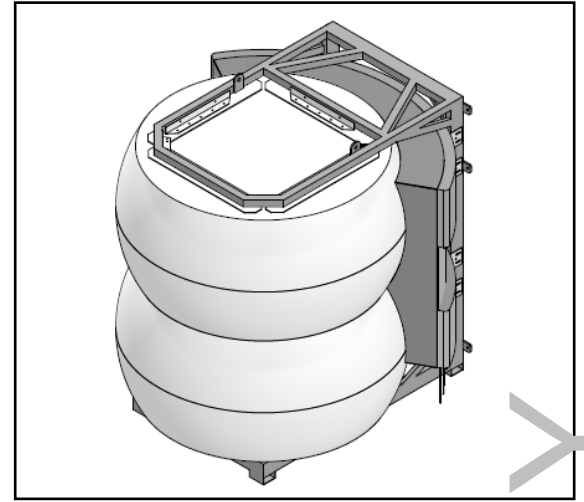


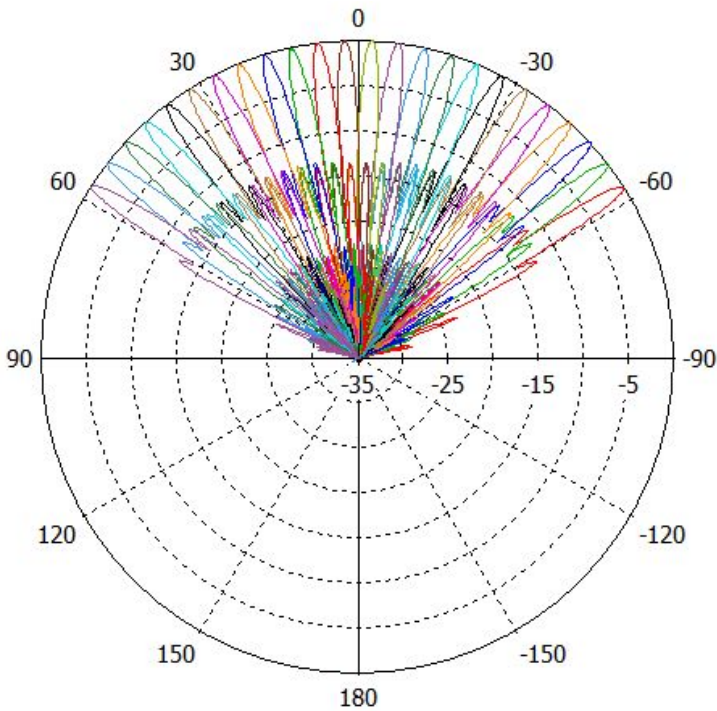
MS-24.24C180

Multi-Beam C-Band Spherical Lens Antenna: 1 row of 24 dual-polarized beams, with independent 0° - 15° tilt per beam. Each beam has 4 ports to provide 4x4 MIMO.

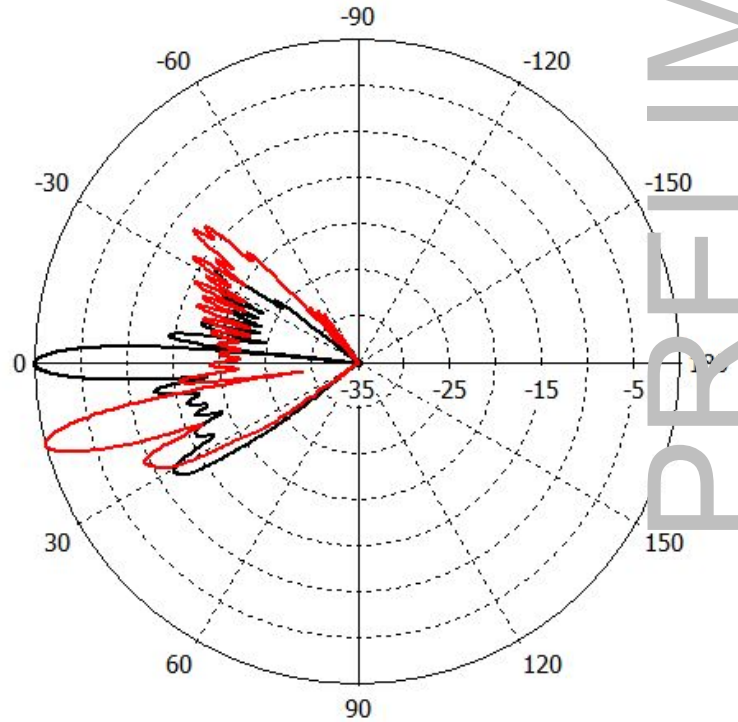


PATTERN RESULTS: (3.9GHz)

Horizontal Pattern



Vertical Pattern 0° tilt



PRELIMINARY

TECHNICAL SPECIFICATIONS

Frequency	3.7 - 4.2 GHz
Gain	30dBi
VSWR	<1.5:1
Polarization	Dual Slant ±45°
Horizontal Coverage	120°
Horizontal Beamwidth (10dB level)	5°
Horizontal Beamwidth (3dB level)	3°
Vertical Beamwidth (10dB level)	9°
Vertical Beamwidth (3dB level)	5°
Beam Cross-over	10dB typical
Total Number of Beams	24
Number of Ports total	96
Adjustable Tilt per Beam	0° to 15°
First Sidelobe level	<-16dB
Front to Back Ratio	>28dB
Isolation Port to Port - Polarization	>28dB
Isolation Port to Port - Beam	>28dB
Power Rating	50W per port
Intermodulation	<-153dBc
Impedance	50 ohm
Connector Quantity and Type	96 X 4.3-10 female

MECHANICAL DATA

Dimensions (H x W x D)	Spherical Lens diameter: 180cm/70inch Antenna dimensions: 200 x 205 x 207 cm 79 x 80 x 81 inch
Antenna Weight	350 kg 772 lbs
Radome Material	Fiber Glass
Mounting	Standard pipe mount Compatible pipe diameter: 6.1 – 11.4 cm 2.4 – 4.5 inch

ENVIRONMENTAL RATINGS

Humidity	95% RH @ +30°C
Temperature	-40°C to +70°C
Wind load @ 150 km/hr	TBD

SAMPLE CONNECTOR LAYOUT:

PRELIMINARY